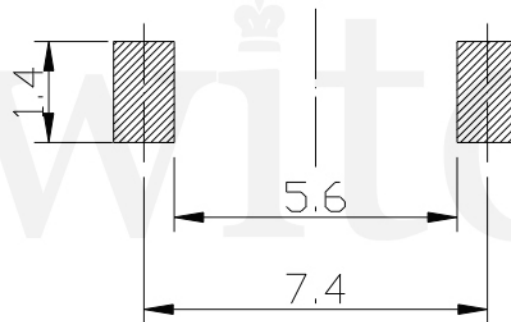
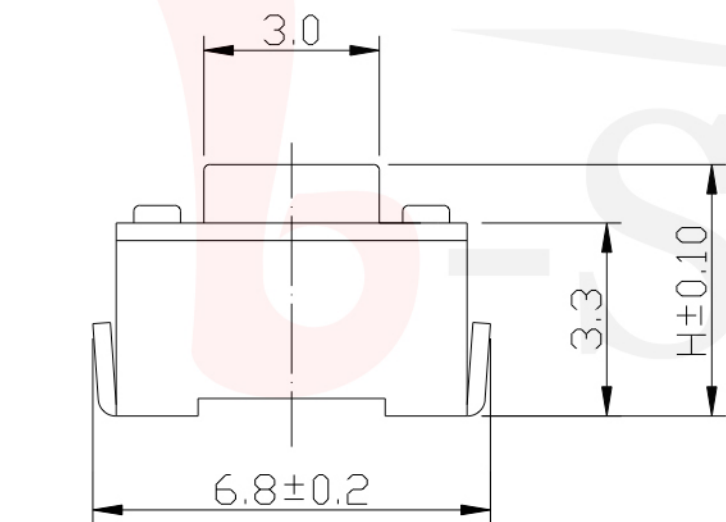


GT-TC187X-HXXX-LX



P.C.B LAND DIMENSION

G-SWITCH

Operating Force

- A=160gf
- B=250gf
- C=100gf
- D=320gf
- E=130gf

Switch Height (mm)

- H043=4.3mm
- H050=5.0mm

Switch lifetime (Force)

- L05=50,000 Cycles
- L1=100,000 Cycles

G-Switch Specification:

- Operating temperature range: -30°C to +85°C
- Rating: 50mA.12V DC
- Insulation resistance: 100MΩ min.100V DC
- Dielectric strength: 250V AC for 1 min
- Contact resistance: 100m Ω max.
- Travel: 0.25±0.1mm



CIRCUIT DIAGRAM



G-Switch Electronic (HongKong) CO.,Ltd.

Unless otherwise specified, Tolerance:
 X. ±0.30
 X.x ±0.20
 X.xx ±0.15
 X.xxx ±0.10
 Angles ±3°

DESIGN	陈锋枫	DATE	2016.05.29
CHECKED		DATE	
APPROVED		DATE	
http://www.dg-switch.com			
TEL: 0769-82388879			

Molde code:		
GT-TC187X-HXXX-LX		
REV.: X1	SCALE: 4:1	UNIT: mm
SIZE: A4	SHEET: 1/1	