

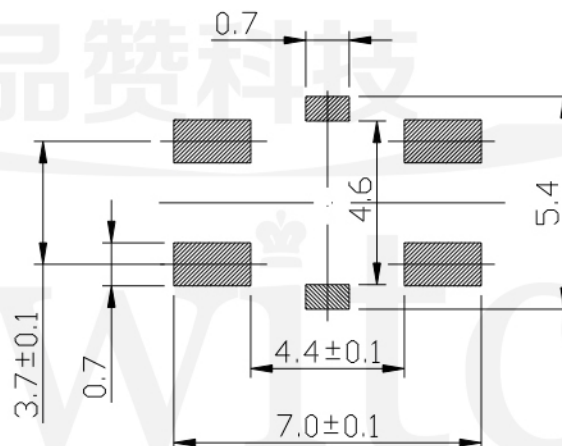
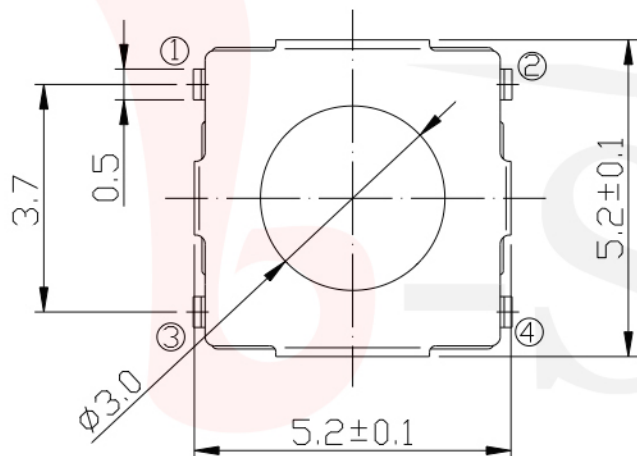
### GT-TC076X-HXXXX-LX

G-SWITCH

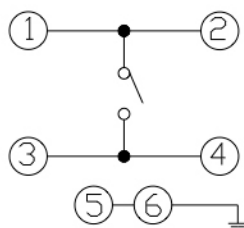
**Operating Force**  
A=160gf  
B=250gf

**Switch Height (mm)**  
H0085=0.85mm

**Switch lifetime (Force)**  
L1=100,000 Cycles



P.C.B LAND DIMENSION



CIRCUIT DIAGRAM



**G-Switch Specification:**

Operating temperature range : -30°C to +85°C  
 Rating : 50mA, 12V DC  
 Insulation resistance : 100MΩ min. 100V DC  
 Dielectric strength : 250V AC for 1 min  
 Contact resistance : 100m Ω max.  
 Travel: 0.25 ± 0.1 mm

	<b>G-Switch Electronic (HongKong) CO.,Ltd.</b>		
	DESIGN FengFengChen CHECKED APPROVED <a href="http://www.dg-switch.com">http://www.dg-switch.com</a> TEL:0769-82388879	DATE 2019.05.29 DATE DATE	Molde code: <b>GT-TC076X-HXXXX-LX</b> REV.: X1 SCALE: 4:1 UNIT: mm SIZE: A4 SHEET: 1/1
Unless otherwise specified, Tolerance: X. ±0.30 X.x ±0.20 X.xx ±0.15 X.xxx ±0.10 Angles ±3°			