

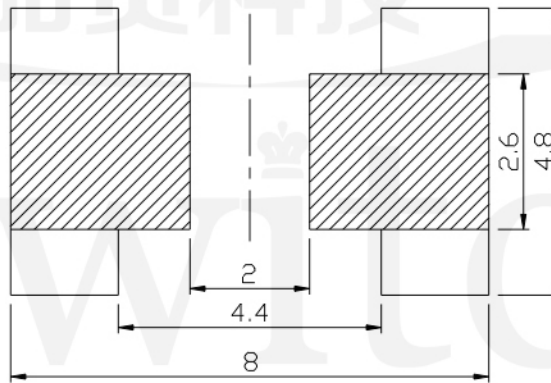
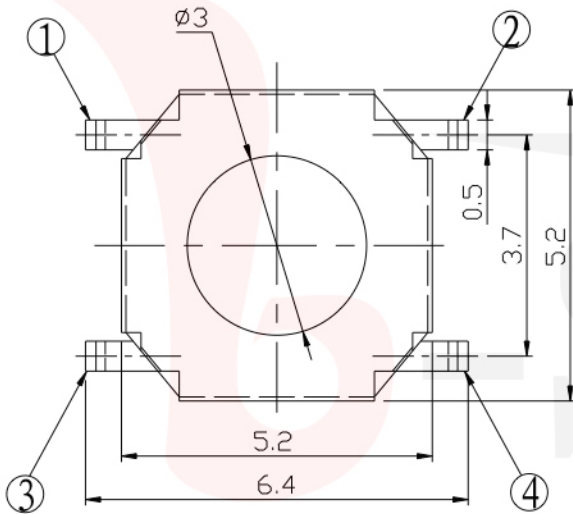
GT-TC083X-HXXXX-LX

G-SWITCH

Operating Force
 A=160gf
 B=250gf
 C=100gf

Switch Height (mm)
 H0080=0.8mm

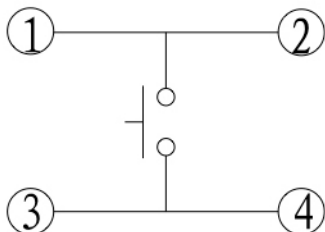
Switch lifetime (Force)
 L1=100,000 Cycles
 L2=200,000 Cycles



P.C.B LAND DIMENSION

G-Switch Specification:

Operating temperature range : -30°C to +85°C
 Rating : 50mA, 12V DC
 Insulation resistance : 100MΩ min, 100V DC
 Dielectric strength : 250V AC for 1 min
 Contact resistance : 100m Ω max.
 Travel: 0.25±0.1mm



电路图



	G-Switch Electronic (HongKong) CO.,Ltd.		
	DESIGN FengFengChen	DATE 2019.05.29	Molde code: GT-TC083X-HXXXX-LX
	CHECKED	DATE	
	APPROVED	DATE	REV.: X1 SCALE: 4:1 UNIT: mm SIZE: A4 SHEET: 1/1
Unless otherwise specified, Tolerance: X. ±0.30 X.x ±0.20 X.xx ±0.15 X.xxx ±0.10 Angles ±3°		http://www.dg-switch.com TEL:0769-82388879	