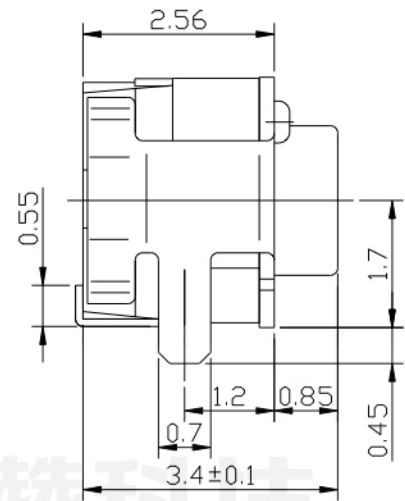


底视图



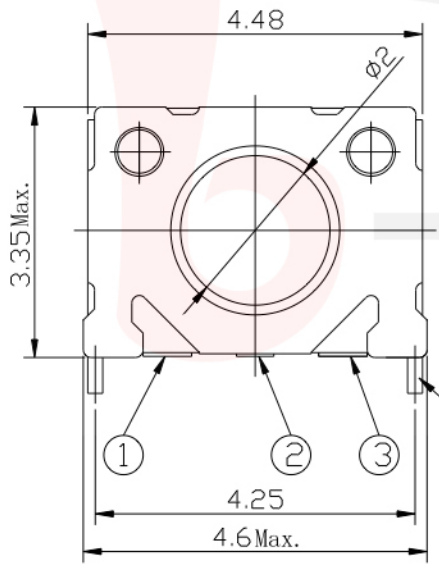
GT-TC108X-HXXX-LX

G-SWITCH

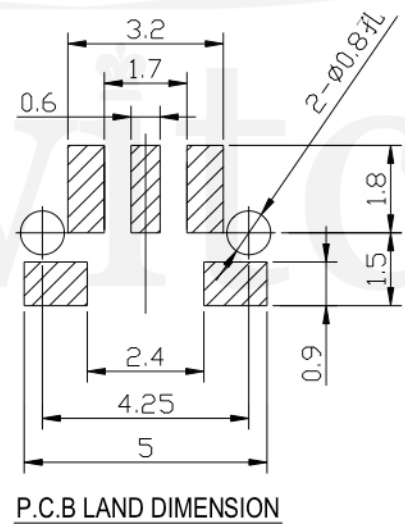
Operating Force
A=180gf
B=250gf

Switch Height (mm)
H034=3.4mm

Switch lifetime (Force)
L1=100,000 Cycles



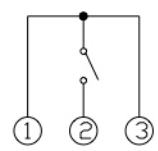
客户不需按装脚
时可切除



P.C.B LAND DIMENSION

G-Switch Specification:

Operating temperature range : -30°Cto+85°C
Rating : 50mA.12V DC
Insulation resistance: : 100MΩ min.100V DC
Dielectric strength : 250V AC for 1 min
Contact resistance: : 100m Ω max.
Travel:0.25±0.1mm



电路图



	G-Switch Electronic (HongKong) CO.,Ltd.		
	DESIGN FengFengChen	DATE 2019.05.29	Molde code:
Unless otherwise specified, Tolerance:	CHECKED	DATE	GT-TC108X-HXXX-LX
X. ±0.30	APPROVED	DATE	
X.x ±0.20	http://www.dg-switch.com		REV.: X1
X.xx ±0.15	TEL:0769-82388879		SCALE: 4:1
X.xxx ±0.10			UNIT: mm
Angles ±3°			SIZE: A4
			SHEET: 1/1