

GT-TC075X-HXXX-LX

G-SWITCH

Operating Force

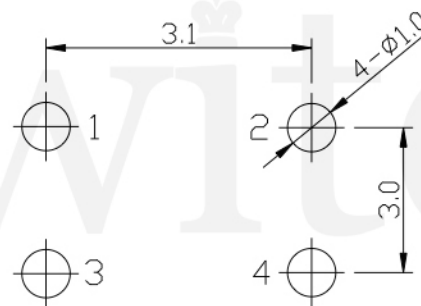
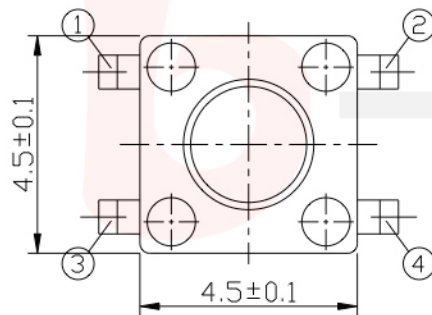
- A=160gf
- B=250gf
- C=100gf
- D=70gf
- E=130gf
- F=320gf
- G=400gf

Switch lifetime (Force)

- L1=100,000 Cycles
- L3=300,000 Cycles
- L5=500,000 Cycles

Switch Height (mm)

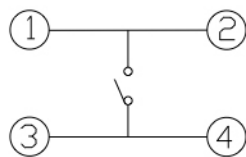
- H035=3.5 H038=3.8
- H043=4.3 H045=4.5
- H050=5.0 H055=5.5
- H060=6.0 H065=6.5
- H070=7.0 H080=8.0
- H085=8.5 H090=9.0
- H095=9.5 H100=10.0



P.C.B LAND DIMENSION

G-Switch Specification:

Operating temperature range : -30°C to +85°C
 Rating : 50mA, 12V DC
 Insulation resistance: : 100MΩ min. 100V DC
 Dielectric strength : 250V AC for 1 min
 Contact resistance: : 100m Ω max.
 Travel: 0.25±0.1mm



CIRCUIT DIAGRAM



	G-Switch Electronic (HongKong) CO.,Ltd.		
	DESIGN FengFengChen	DATE 2019.05.29	Molde code: GT-TC075X-HXXX-LX
	CHECKED	DATE	
	APPROVED	DATE	REV.: X1
http://www.dg-switch.com		SCALE: 4:1	UNIT: mm
TEL:0769-82388879		SIZE: A4	SHEET: 1/1

Unless otherwise specified, Tolerance:
 X. ±0.30
 X.x ±0.20
 X.xx ±0.15
 X.xxx ±0.10
 Angles ±3°