

GT-TC145X-HXXX-LX

G-SWITCH

Operating Force

- A=160gf
- B=250gf
- C=100gf
- D=70gf
- E=130gf
- F=320gf
- G=400gf

Switch lifetime (Force)

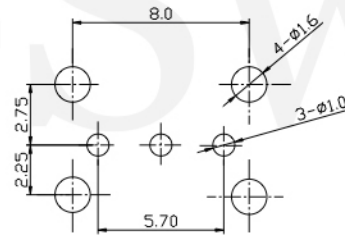
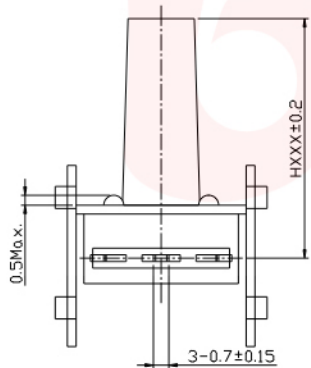
- L05=50,000 Cycles
- L1=100,000 Cycles
- L3=300,000 Cycles
- L5=500,000 Cycles

Switch Height (mm)

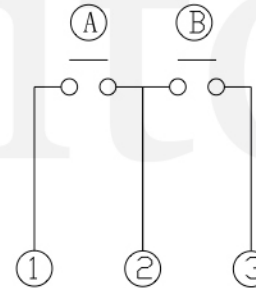
- H050=5.0 H060=6.0
- H070=7.0 H080=8.0
- H090=9.0 H100=10.0
- H110=11.0 H120=12.0
- H130=13.0 H140=14.0
- H150=15.0mm

G-Switch Specification:

- Operating temperature range : -30°Cto+85°C
- Rating : 50mA.12V DC
- Insulation resistance: : 100MΩ min.100V DC
- Dielectric strength : 250V AC for 1 min
- Contact resistance: : 100m Ω max.
- Travel:0.25±0.1mm



P.C.B LAND DIMENSION



CIRCUIT DIAGRAM



G-Switch Electronic (HongKong) CO.,Ltd.

Unless otherwise specified, Tolerance:
 X. ±0.30
 X.x ±0.20
 X.xx ±0.15
 X.xxx ±0.10
 Angles ±3°

DESIGN FengFengChen DATE 2019.05.29
 CHECKED DATE
 APPROVED DATE
<http://www.dg-switch.com>
 TEL:0769-82388879

Molde code:
GT-TC145X-HXXX-LX
 REV.: X1 SCALE: 4:1 UNIT: mm
 SIZE: A4 SHEET: 1/1