

**GT-TC116X-HXXX-LX**

**G-SWITCH**

**Operating Force**

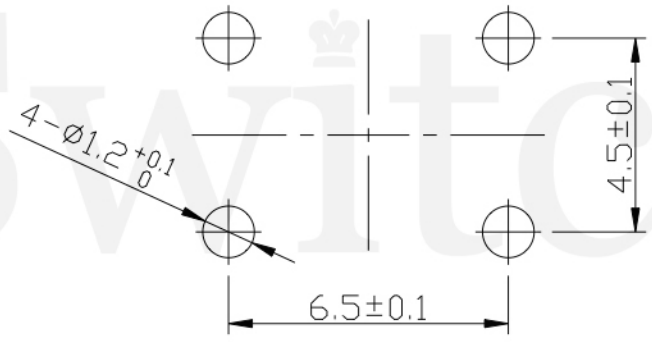
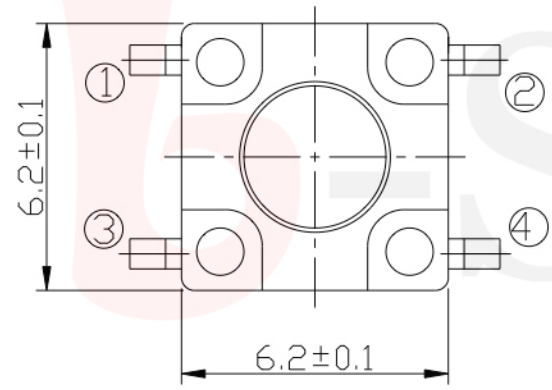
- A=160gf
- B=250gf
- C=100gf
- D=70gf
- E=130gf
- F=320gf
- G=400gf

**Switch lifetime (Force)**

- L05=50,000 Cycles
- L1=100,000 Cycles
- L3=300,000 Cycles
- L5=500,000 Cycles

**Switch Height (mm)**

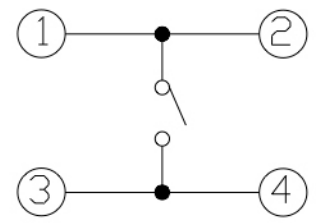
- H043=4.3 H050=5.0
- H055=5.5 H060=6.0
- H065=6.5 H070=7.0
- H080=8.0 H085=8.5
- H090=9.0 H095=9.5



**P.C.B LAND DIMENSION**

**G-Switch Specification:**

Operating temperature range : -30°Cto+85°C  
 Rating : 50mA.12V DC  
 Insulation resistance: : 100MΩ min.100V DC  
 Dielectric strength : 250V AC for 1 min  
 Contact resistance: : 100m Ω max.  
 Travel:0.25±0.1mm  
 WATER RESISTANCE IPX7



**CIRCUIT DIAGRAM**



**b-Switch** 品贊科技®

Unless otherwise specified, Tolerance:  
 X. ±0.30  
 X.x ±0.20  
 X.xx ±0.15  
 X.xxx ±0.10  
 Angles ±3°

<b>G-Switch Electronic (HongKong) CO.,Ltd.</b>		
DESIGN FengFengChen	DATE 2019.05.29	Molde code: <b>GT-TC116X-HXXX-LX</b>
CHECKED	DATE	
APPROVED	DATE	
<a href="http://www.dg-switch.com">http://www.dg-switch.com</a>		REV.: X1
TEL:0769-82388879		SCALE: 4:1
		UNIT: mm
		SIZE: A4
		SHEET: 1/1