

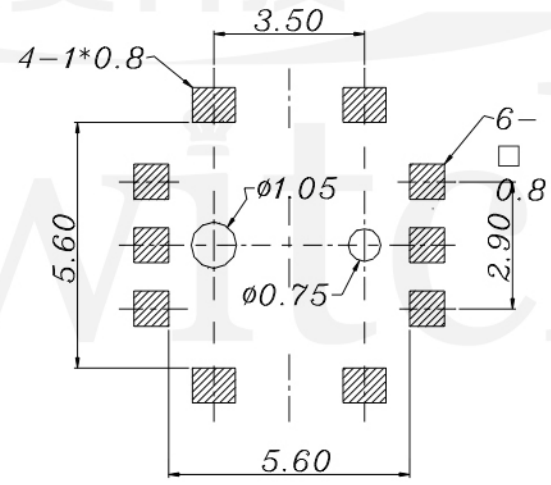
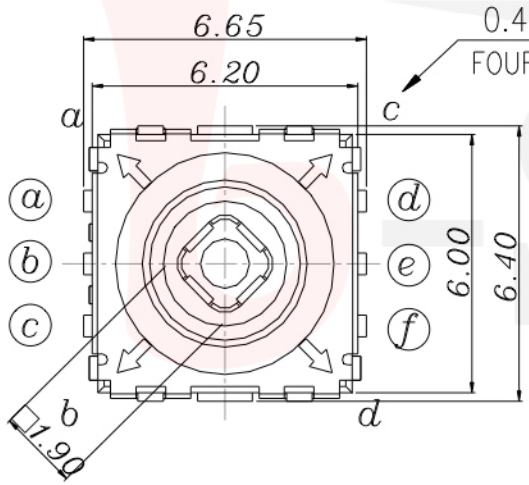
GT-TC010X-HXXX-LX

G-SWITCH Operating Force
A=4-direction 180±50gf
Center push 300±100gf

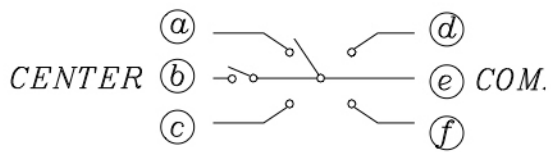
Switch Height (mm)
H050=5.0mm

Switch lifetime (Force)
L02=20,000 Cycles

G-Switch Specification:
Operating temperature range : -30°C to +85°C
Rating : 50mA.12V DC
Insulation resistance : 100MΩ min.100V DC
Dielectric strength : 250V AC for 1 min
Contact resistance : 100m Ω max.
Travel:4-direction 4±2° Center push 0.2±0.1mm



PWB LAND DIMENSIONS



CIRCUIT DIAGRAM



G-Switch Electronic (HongKong) CO.,Ltd.

Unless otherwise specified, Tolerance: X. ±0.30 X.x ±0.20 X.xx ±0.15 X.xxx ±0.10 Angles ±3°	DESIGN FengFengChen	DATE 2019.05.29	Molde code:		
	CHECKED	DATE	GT-TC010X-HXXX-LX		
	APPROVED	DATE			
	http://www.dg-switch.com		REV.: X1	SCALE: 4:1	UNIT: mm
TEL:0769-82388879		SIZE: A4	SHEET: 1/1		