

**GT-TC198X-HXXX-LX**

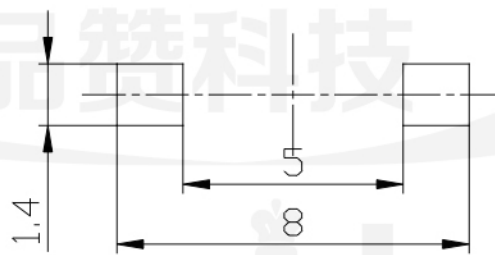
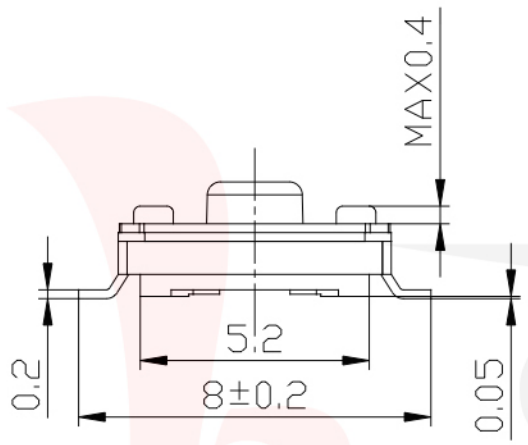
**G-SWITCH Operating Force**  
 A=180gf  
 B=250gf

**Switch Height (mm)**  
 H025=2.5mm  
 H027=2.7mm

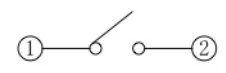
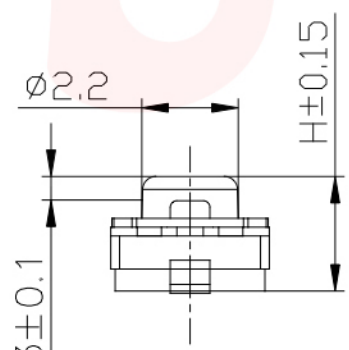
**Switch lifetime (Force)**  
 L3=300,000 Cycles

**G-Switch Specification:**

Operating temperature range: -30°C to +85°C  
 Rating: 50mA.12V DC  
 Insulation resistance: 100MΩ min.100V DC  
 Dielectric strength: 250V AC for 1 min  
 Contact resistance: 100m Ω max.  
 Travel: 0.3±0.1mm



P. C. B LAYOUT



SCHEMATIC



**G-Switch Electronic (HongKong) CO.,Ltd.**

Unless otherwise specified, Tolerance:  
 X. ±0.30  
 X.x ±0.20  
 X.xx ±0.15  
 X.xxx ±0.10  
 Angles ±3°

DESIGN	陈锋枫	DATE	2018.10.29
CHECKED		DATE	
APPROVED		DATE	
<a href="http://www.dg-switch.com">http://www.dg-switch.com</a>			
TEL: 0769-82388879			

Molde code:		
GT-TC198X-HXXX-LX		
REV.: X1	SCALE: 4:1	UNIT: mm
SIZE: A4	SHEET: 1/1	