

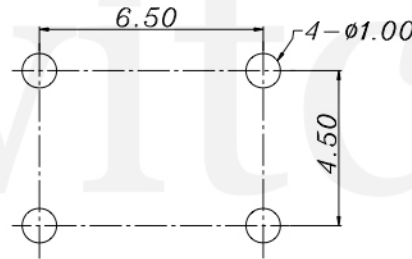
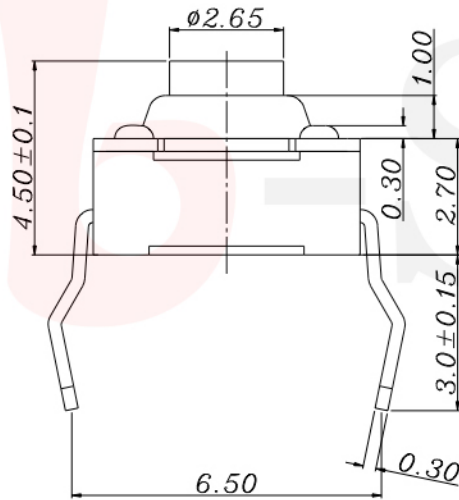
GT-TC158X-HXXX-LX

G-SWITCH

Operating Force
 A=160gf
 B=250gf
 C=100gf

Switch Height (mm)
 H045=4.5mm

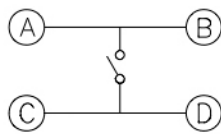
Switch lifetime (Force)
 L1=100,000 Cycles



线路板开孔
 P.C.B

G-Switch Specification:

Operating temperature range : -30°C to +85°C
 Rating : 50mA, 12V DC
 Insulation resistance : 100MΩ min. 100V DC
 Dielectric strength : 250V AC for 1 min
 Contact resistance : 100mΩ max.
 Travel: 0.30±0.1mm



电路简图
 SCHEMATIC



G-Switch Electronic (HongKong) CO.,Ltd.

Unless otherwise specified, Tolerance: X. ±0.30 X.x ±0.20 X.xx ±0.15 X.xxx ±0.10 Angles ±3°	DESIGN FengFengChen	DATE 2019.05.29	Molde code:		
	CHECKED	DATE	GT-TC158X-HXXX-LX		
	APPROVED	DATE			
	http://www.dg-switch.com			REV.: X1	SCALE: 4:1
TEL:0769-82388879			SIZE: A4	SHEET: 1/1	