

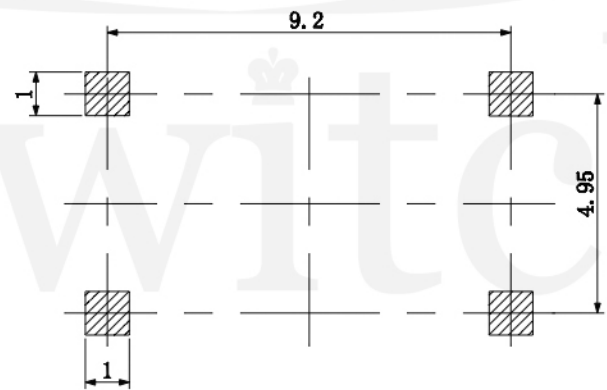
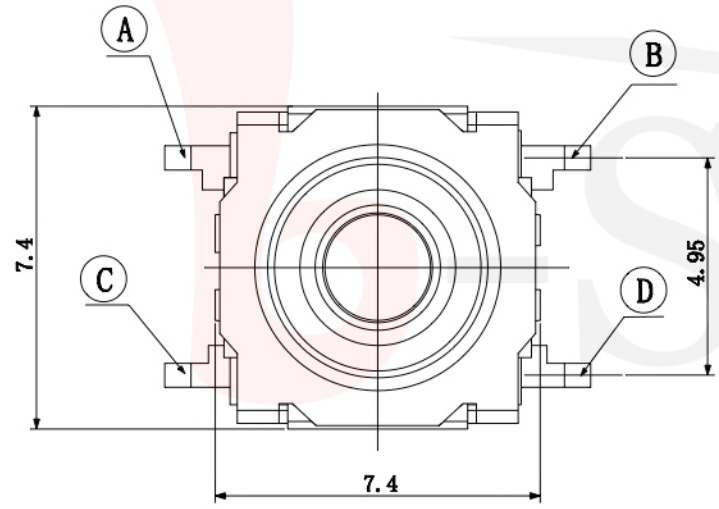
GT-TC180X-HXXX-LX

G-SWITCH

Operating Force
 A=160gf
 B=250gf
 C=100gf

Switch Height (mm)
 H050=5.0mm

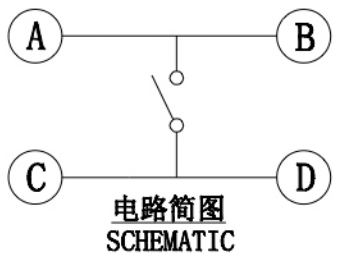
Switch lifetime (Force)
 L1=100,000 Cycles



**印制线路板
 Recommended P. C. B layout**

G-Switch Specification:

Operating temperature range : -30°Cto+85°C
 Rating : 50mA.12V DC
 Insulation resistance: : 100MΩ min.100V DC
 Dielectric strength : 250V AC for 1 min
 Contact resistance: : 100m Ω max.
 Travel:0.35±0.1mm



| | | | |
|--|--|--|--|
| | G-Switch Electronic (HongKong) CO.,Ltd. | | |
| | DESIGN FengFengChen CHECKED APPROVED http://www.dg-switch.com TEL:0769-82388879 | DATE 2019.05.29 DATE DATE http://www.dg-switch.com TEL:0769-82388879 | Molde code: GT-TC180X-HXXX-LX REV.: X1 SCALE: 4:1 UNIT: mm SIZE: A4 SHEET: 1/1 |

