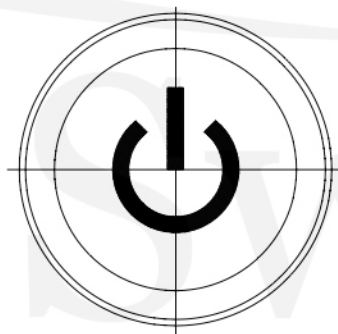
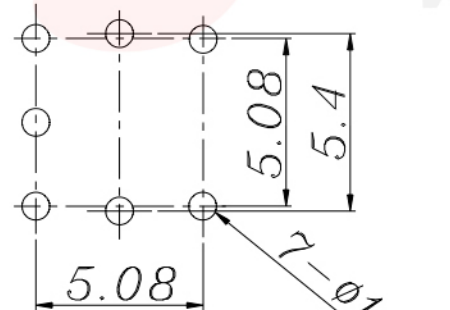
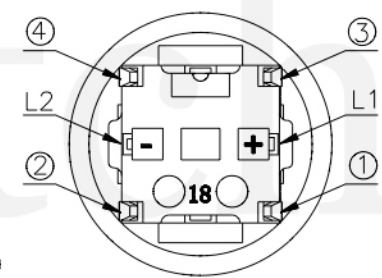
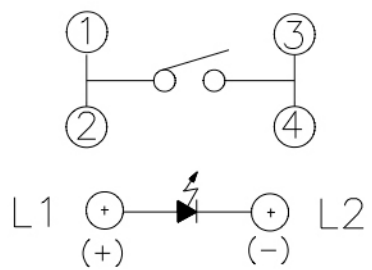


GT-LS101XXX-LX

- Product Type**
10x10
- G-SWITCH Operating Force**
A=160gf
B=250gf
C=100gf
- Switch lifetime (Force)**
L05=50,000 Cycles
L1=100,000 Cycles
- LED Color**
N=无
R=红色
Y=黄色
G=绿色
U=蓝色
W=白色
O=橙色
R/U=红发蓝
X/O=客制化
- 键帽颜色**
A=透明(PC)
B=黑色(PA66)
C=白色(POM)
D=米黄色 (PA66)



CIRCUIT



P.C.B LAYOUT

G-Switch Specification:
 Operating temperature range : -30°Cto+85°C
 Rating : 50mA.12V DC
 Insulation resistance: : 100MΩ min.100V DC
 Dielectric strength : 250V AC for 1 min
 Contact resistance: : 100m Ω max.
 Travel:0.25±0.1mm



	G-Switch Electronic (HongKong) CO.,Ltd.		
	DESIGN FengFengChen CHECKED APPROVED http://www.dg-switch.com TEL:0769-82388879	DATE 2019.05.29 DATE DATE	Molde code: GT-LS101XXX-LX REV.: X1 SCALE: 4:1 UNIT: mm SIZE: A4 SHEET: 1/1
Unless otherwise specified, Tolerance: X. ±0.30 X.x ±0.20 X.xx ±0.15 X.xxx ±0.10 Angles ±3°			