

GT-LS121XXX-LX

Product Type
12x12

G-SWITCH Operating Force
A=160gf
B=250gf
C=100gf

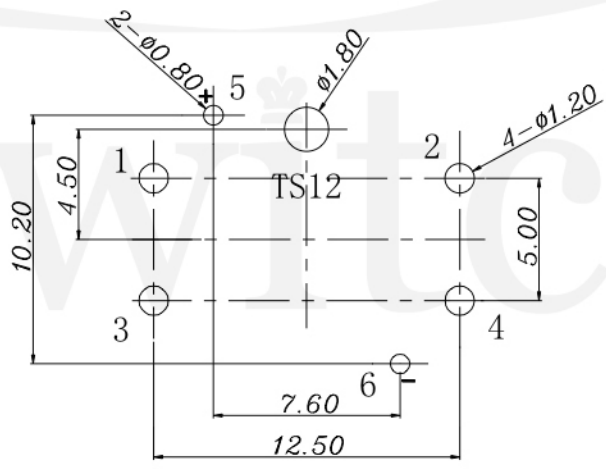
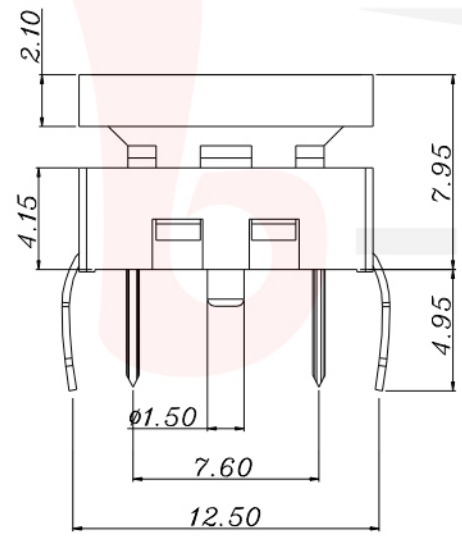
LED Color
N=无
R=红色
Y=黄色
G=绿色
U=蓝色
W=白色
O=橙色
R/U=红发蓝
X/O=客制化

Switch lifetime (Force)
L05=50,000 Cycles
L1=100,000 Cycles

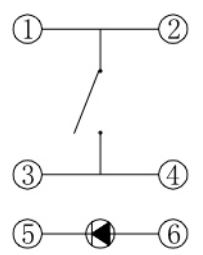
键帽颜色
A=透明(PC)
B=黑色(PA66)
C=白色(POM)
D=米黄色(PA66)

G-Switch Specification:

Operating temperature range : -30°Cto+85°C
Rating : 50mA.12V DC
Insulation resistance: : 100MΩ min.100V DC
Dielectric strength : 250V AC for 1 min
Contact resistance: : 100m Ω max.
Travel:0.25±0.1mm



P. C. B. LAYOUT



CIRCUIT



G-Switch Electronic (HongKong) CO.,Ltd.

Unless otherwise specified, Tolerance:
X. ±0.30
X.x ±0.20
X.xx ±0.15
X.xxx ±0.10
Angles ±3°

DESIGN FengFengChen DATE 2019.05.29
CHECKED DATE
APPROVED DATE
<http://www.dg-switch.com>
TEL:0769-82388879

Molde code:
GT-LS121XXX-LX
REV.: X1 SCALE: 4:1 UNIT: mm
SIZE: A4 SHEET: 1/1