

### GT-LS607XXX-LX

Product Type  
6x6

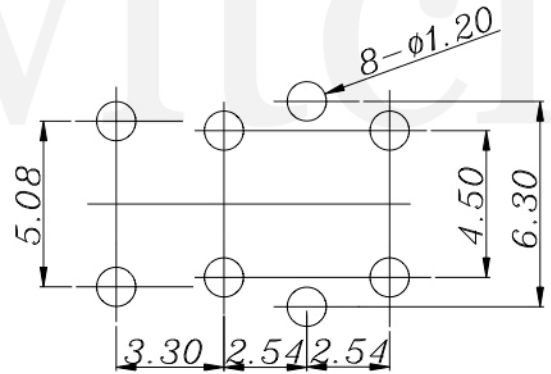
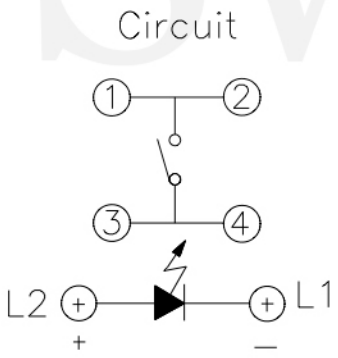
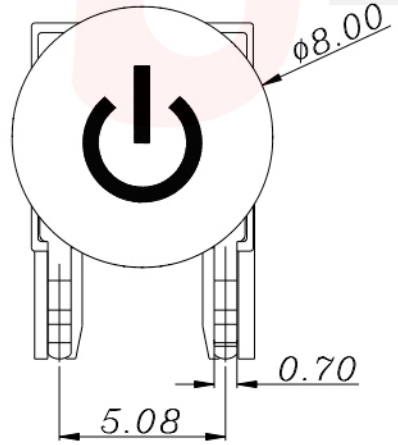
**G-SWITCH Operating Force**  
A=160gf  
B=250gf  
C=100gf

**LED Color**  
N=无  
R=红色  
Y=黄色  
G=绿色  
U=蓝色  
W=白色  
O=橙色  
R/U=红发蓝  
X/O=客制化

**Switch lifetime (Force)**  
L05=50,000 Cycles  
L1=100,000 Cycles

键帽颜色  
A=透明(PC)  
B=黑色(PA66)  
C=白色(POM)  
D=米黄色 (PA66)

**G-Switch Specification:**  
Operating temperature range : -30°Cto+85°C  
Rating : 50mA.12V DC  
Insulation resistance: : 100MΩ min.100V DC  
Dielectric strength : 250V AC for 1 min  
Contact resistance: : 100m Ω max.  
Travel:0.25±0.1mm



P.C.B Layout



### G-Switch Electronic (HongKong) CO.,Ltd.

Unless otherwise specified, Tolerance: X. ±0.30 X.x ±0.20 X.xx ±0.15 X.xxx ±0.10 Angles ±3°	DESIGN FengFengChen	DATE 2019.05.29	Molde code:	
	CHECKED	DATE	GT-LS607XXX-LX	
	APPROVED	DATE	REV.: X1	SCALE: 4:1
	http://www.dg-switch.com		UNIT: mm	
TEL:0769-82388879	SIZE: A4	SHEET: 1/1		