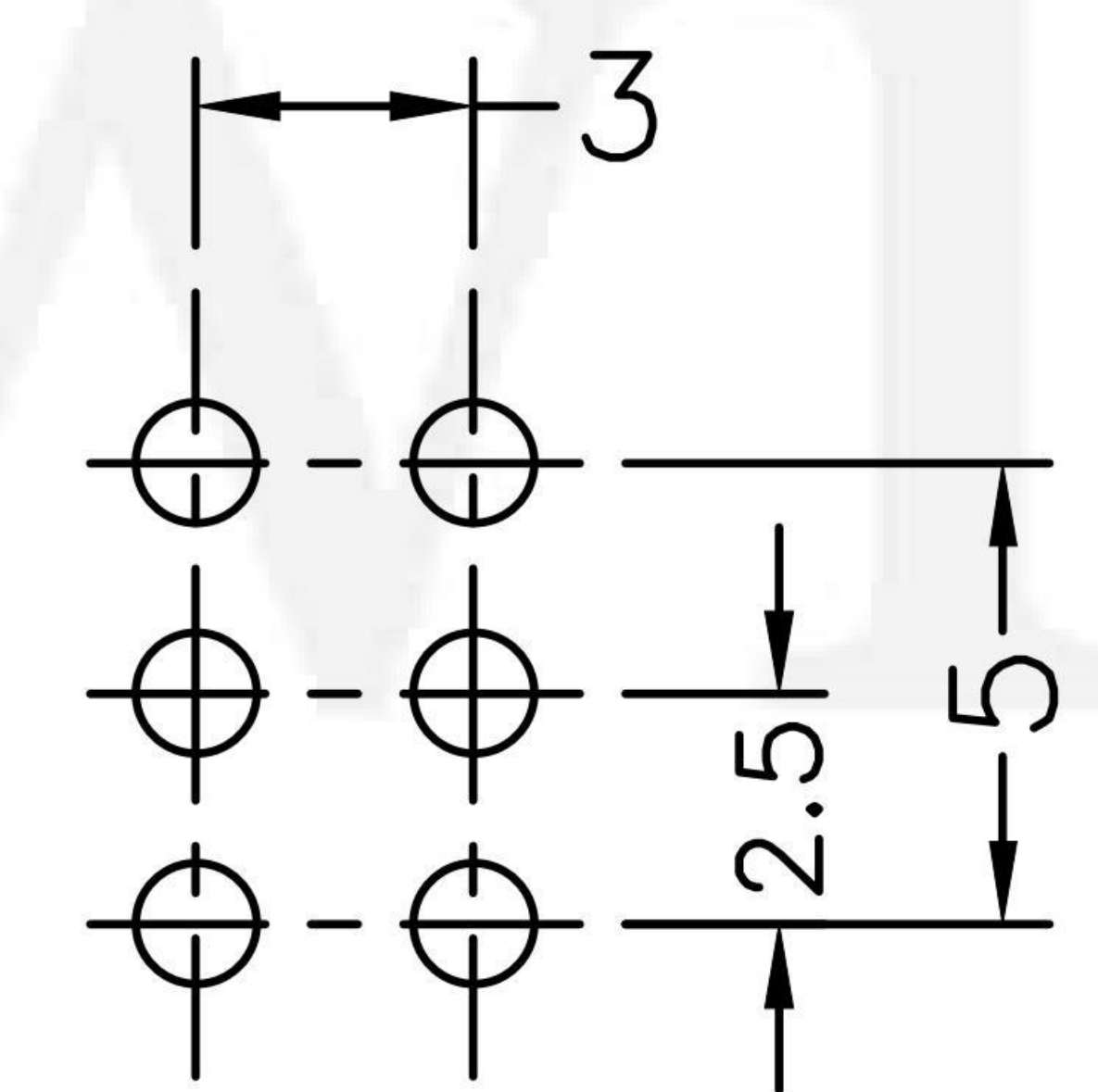
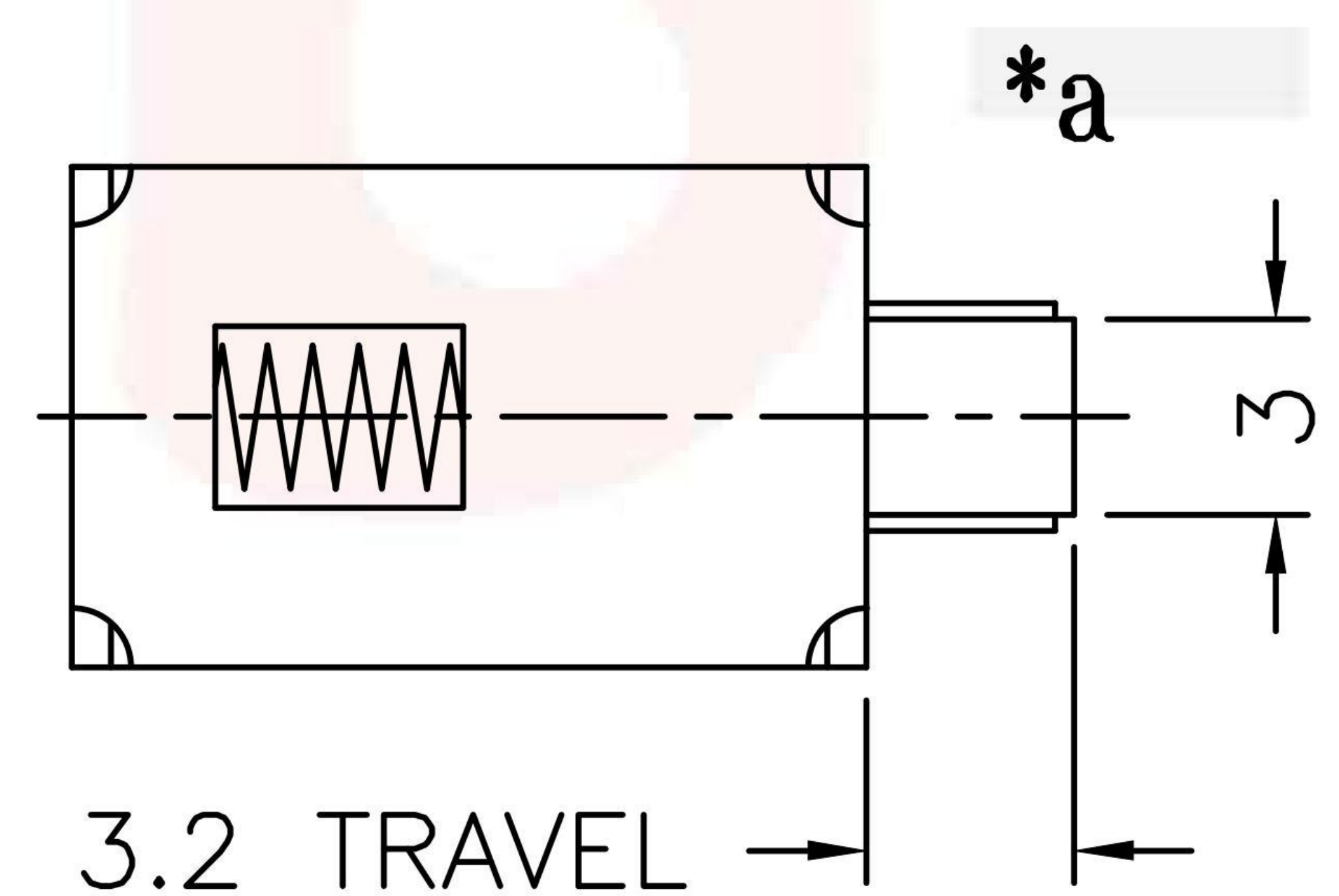


**PS-22F92XX**

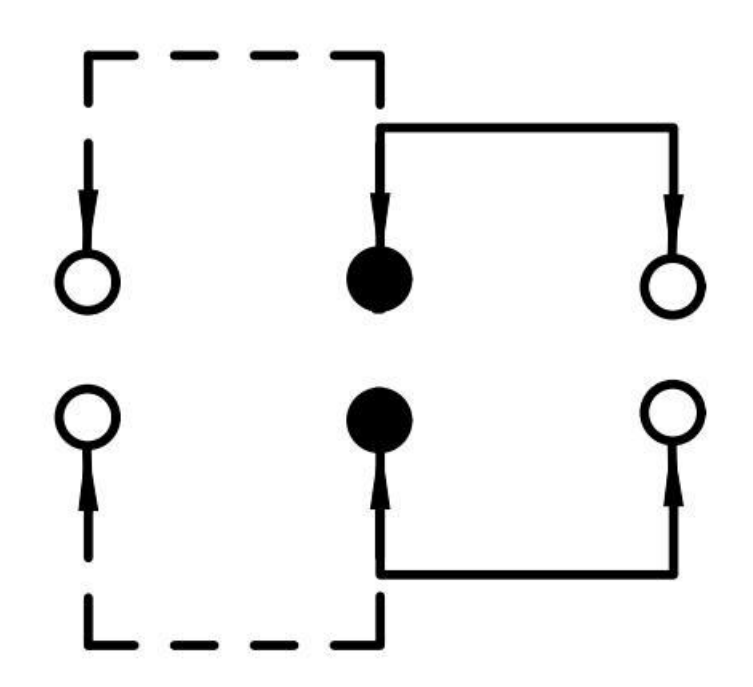
PUSH SWITCH  
 G-Switch P/N  
 N=NO LOCK  
 L=LOCK  
 A=黑色  
 B=红色  
 C=蓝色  
 D=其它



P.C.B LAYOUT  
 BOTTOM VIEW

**G-Switch Specification:**

Electrical Specifications: 0.5A 30VDC  
 Contact Resistance : ≤100mΩ  
 Insulation Resistance: ≥100MΩ DC125V  
 Withstand Voltage: AC125V 1 minute  
 Operating Temperature: -25°C~+65°C  
 Storage Humidity: ≤85%RH  
 Electrical Life: 10,000  
 Mechanical Life: 100,000



SCHMATIC (NON-SHORTING)



**G-Switch Electronic (HongKong) CO.,Ltd.**

Unless otherwise specified, Tolerance: X. ±0.30 X.x ±0.20 X.xx ±0.15 X.xxx ±0.10 Angles ±3°	DESIGN Yvette Chen	DATE 2019.05.29	Molde code:		
	CHECKED	DATE	PS-22F92XX		
	APPROVED	DATE			
	<a href="http://www.dg-switch.com">http://www.dg-switch.com</a>		REV.: X1	SCALE: 4:1	UNIT: mm
	TEL:0769-82388879		SIZE: A4	SHEET: 1/1	