

P.C.B LAND DIMENSION



电路原理图



GT-MPU623X-HXXX-LX

G-SWITCH

Reset Direction
A=Left

Switch Height (mm)
H066=6.6mm

Switch lifetime (Force)
L05=50,000 Cycles

G-Switch Specification:

Operating temperature range : -30°C to +85°C
 Rating : 50mA.12V DC
 Insulation resistance : 100MΩ min.100V DC
 Dielectric strength : 250V AC for 1 min
 Contact resistance : 100m Ω max.
 Operation force: 30±10gf

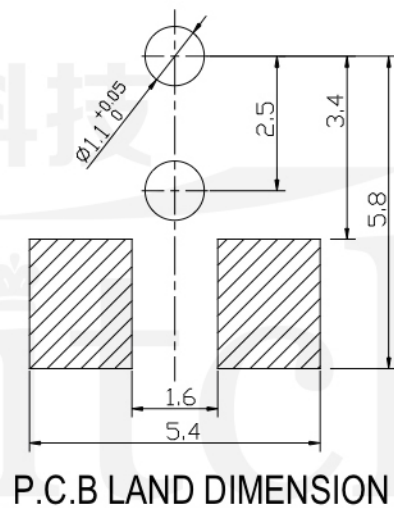
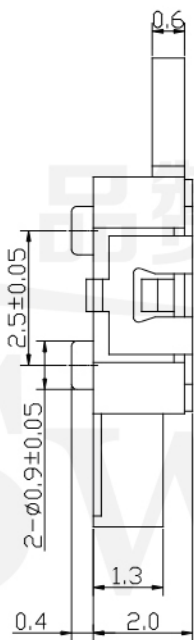
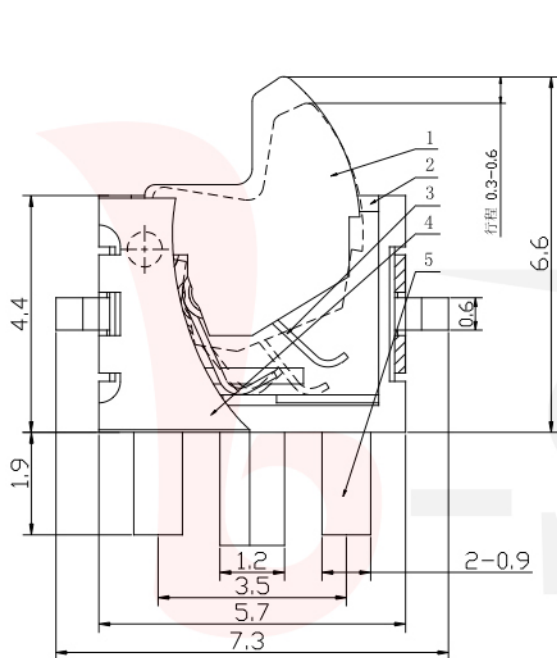
⑤	焊线脚	黄铜	0.15mm		2	镀银
④	盖子	不锈钢	0.10mm		1	镀银
③	弹簧	磷铜丝	φ 0.16		1	
②	基座	PA46			1	黑色
①	按柄	PA46			1	黑色
序号	名称	材质	规格	耐高温	数量	备注



Unless otherwise specified, Tolerance:
 X. ±0.30
 X.x ±0.20
 X.xx ±0.15
 X.xxx ±0.10
 Angles ±3°

G-Switch Electronic (HongKong) CO.,Ltd.

DESIGN FengFengChen	DATE 2021.02.01	Molde code:	
CHECKED	DATE	GT-MPU623A-H066-L05	
APPROVED	DATE	REV.: X1	SCALE: 4:1
http://www.dg-switch.com		UNIT: mm	
TEL:0769-82388879		SIZE: A4	SHEET: 1/1



GT-MPU623X-HXXX-LX

G-SWITCH

Reset Direction
B=Right

Switch Height (mm)
H066=6.6mm

Switch lifetime (Force)
L05=50,000 Cycles



电路原理图

G-Switch Specification:

Operating temperature range : -40°Cto+85°C
 Rating : 50mA.12V DC
 Insulation resistance : 100MΩ min.100V DC
 Dielectric strength : 250V AC for 1 min
 Contact resistance : 100m Ω max.
 Operation force:30± 10gf

⑤	焊线脚	黄铜	0.15mm		2	镀银
④	盖子	不锈钢	0.10mm		1	镀银
③	弹簧	钢丝	∅0.16		1	
②	基座	LCP			1	黑色
①	按柄	LCP			1	黑色
序号	名称	材质	规格	耐高温	数量	备注



G-Switch Electronic (HongKong) CO.,Ltd.

Unless otherwise specified, Tolerance: X. ±0.30 X.x ±0.20 X.xx ±0.15 X.xxx ±0.10 Angles ±3°	DESIGN FengFengChen	DATE 2021.05.29	Molde code:		
	CHECKED	DATE	GT-MPU623B-H066-L05		
	APPROVED	DATE	REV.: X1	SCALE: 4:1	UNIT: mm
	http://www.dg-switch.com		SIZE: A4	SHEET: 1/1	
TEL:0769-82388879					