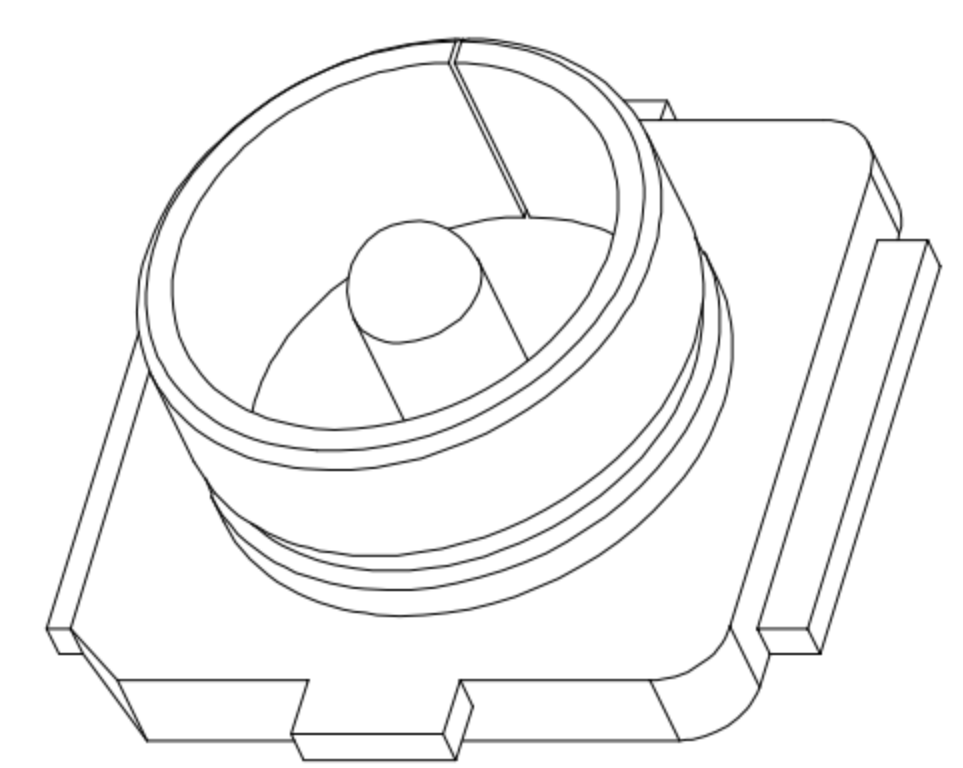
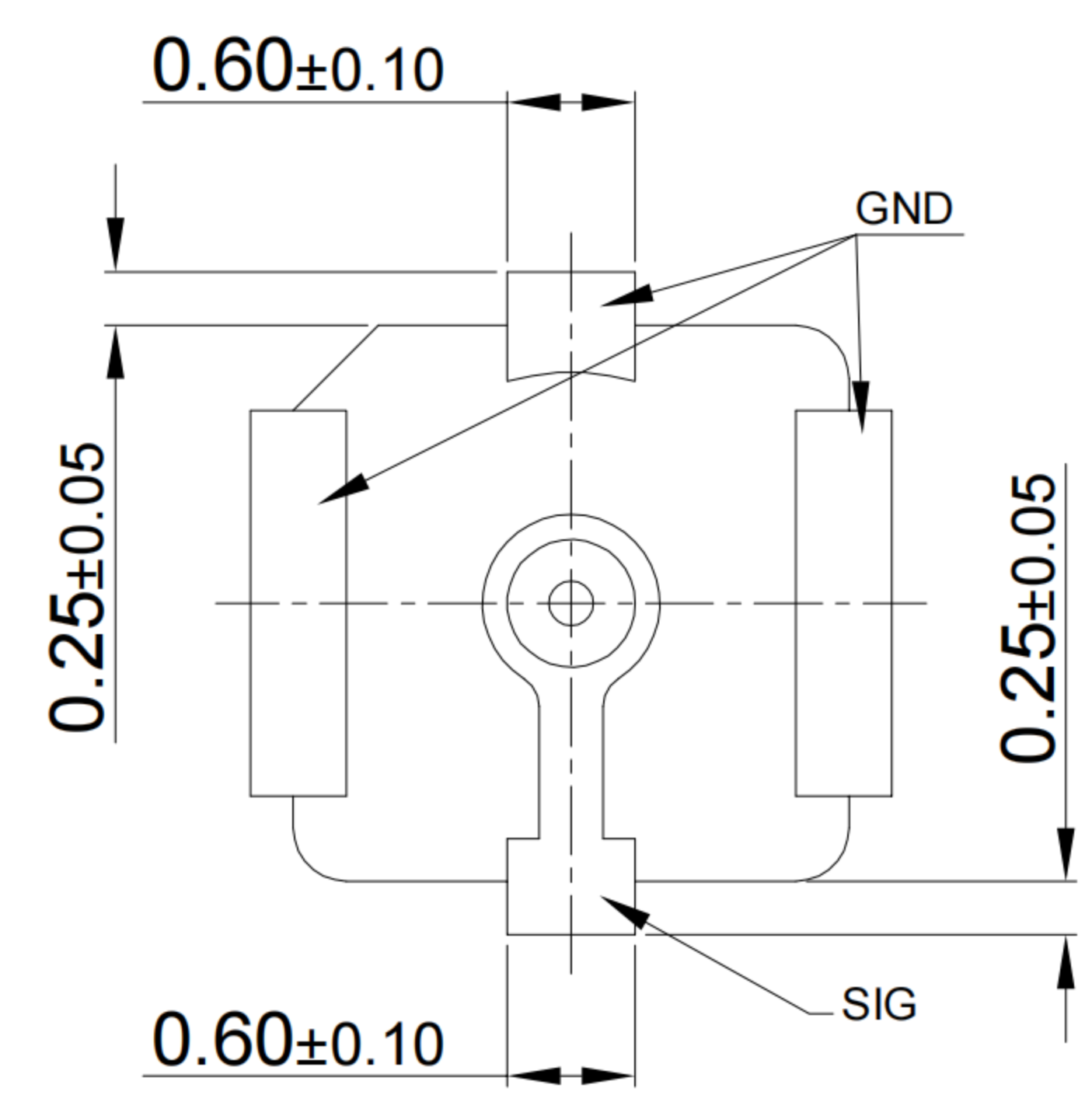


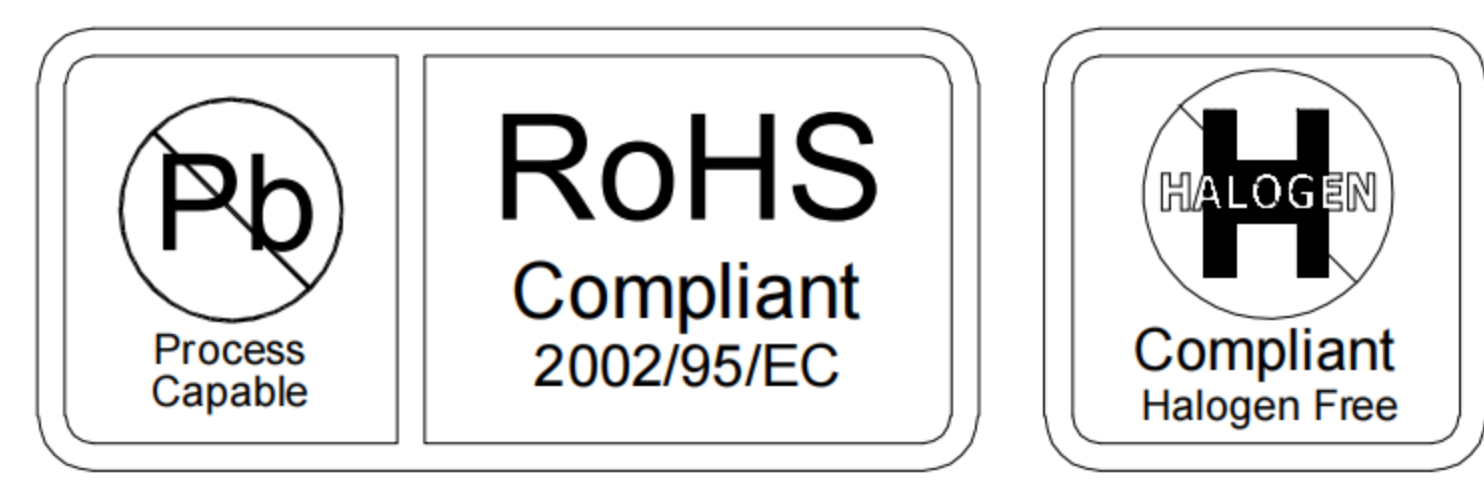
RECOMMENDED PCB LAYOUT 1  
TOLERANCE:±0.05

RECOMMENDED PCB LAYOUT 2  
TOLERANCE:±0.05



- G-Switch RF Specification:**
- Contact Resistance: 20mΩ Max;
  - Dielectric Withstanding Voltage: 200V AC For 1 Minute;
  - Insulation Resistance: 1000MΩ Min;
  - Frequency Range: DC up to 6GHz  
Vswr:1.3 Max. at 0~3GHz;  
Vswr:1.4 Max. at 3~6GHz;
  - Operating Temperature: -40°C to + 90°C.

Item	Title	Material/Finish
1	Terminal	Copper Alloy/Gold Plated Over Ni
2	Shell	Copper Alloy/Gold Plated Over Ni
3	Housing	High Temp. Platic UL94V-0/White



SCALE: 9:1	UNIT: mm
SIZE: A4	
Unless otherwise General Tolerance:	
X.	±0.30
X.x	±0.20
X.xx	±0.15
X.xxx	±0.10
Angles	±3°

Title: RF I Receptacle Conn SMT 2.6×2.6×H1.25mm			
Molde Code: GT-RF1125A-01G			
DRAWN	CHECKED	APPROVED	DATE
Xia	Chen	Chen	2022.11.30



REV: A0 SHEET: 1/1