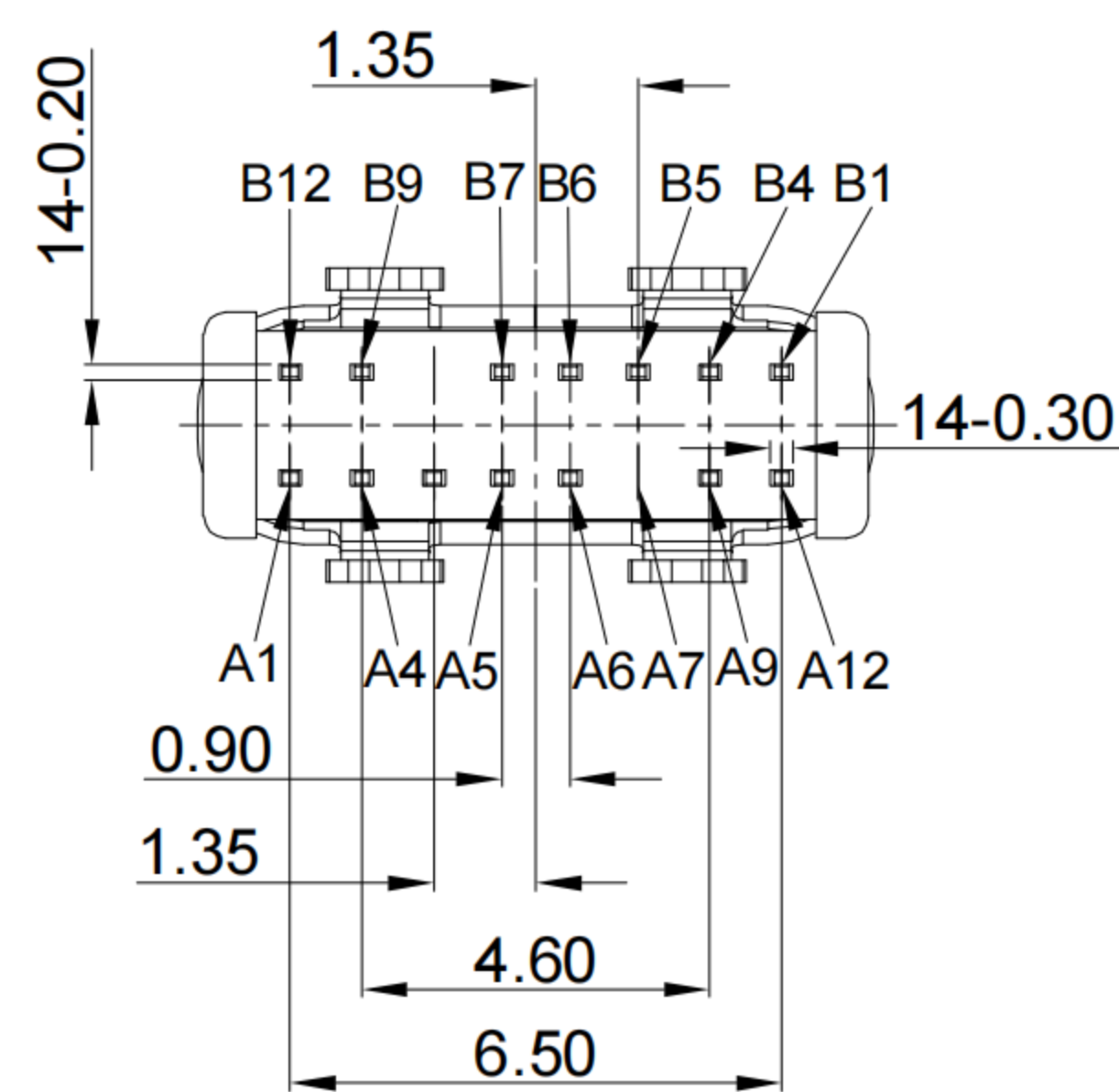
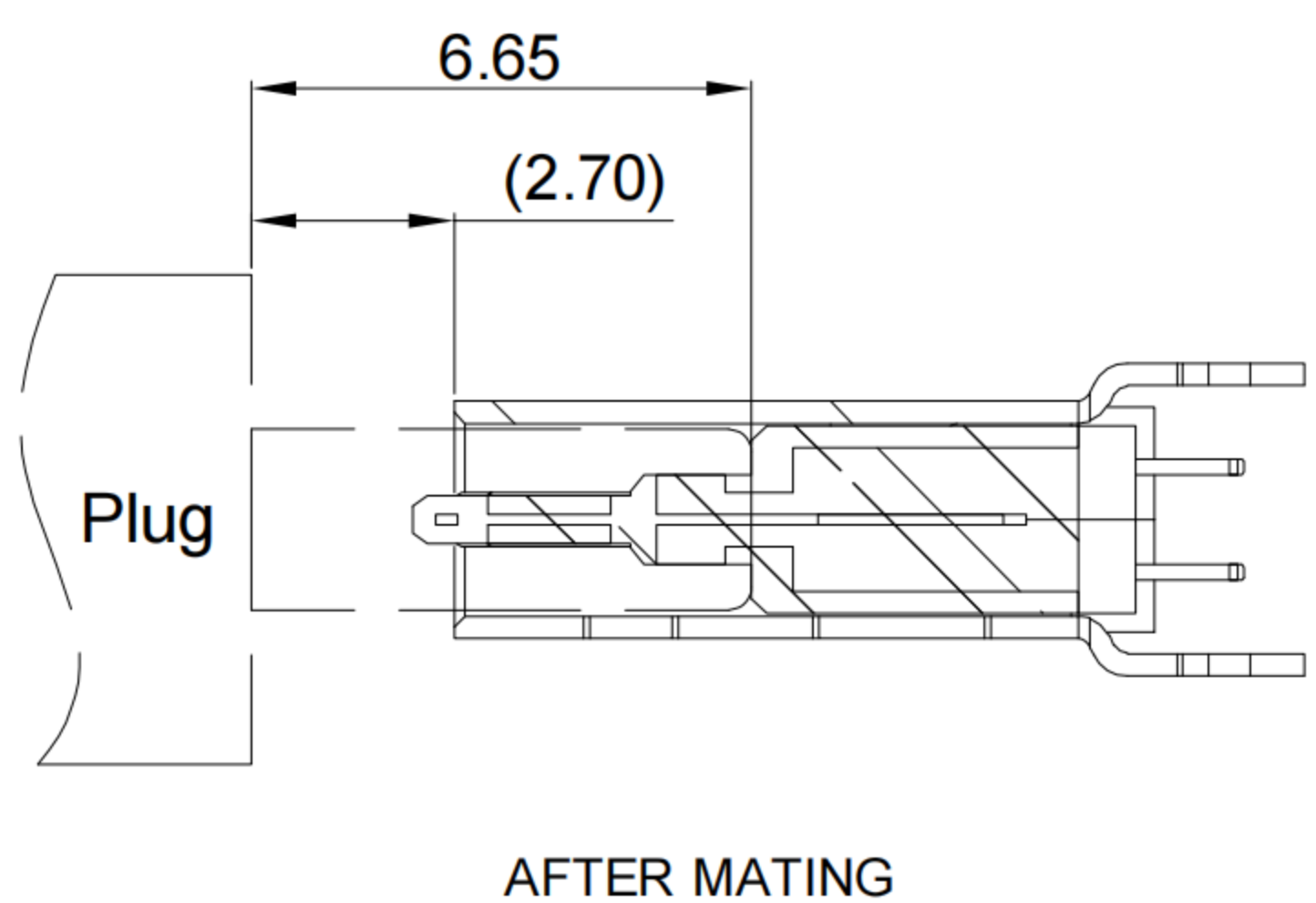


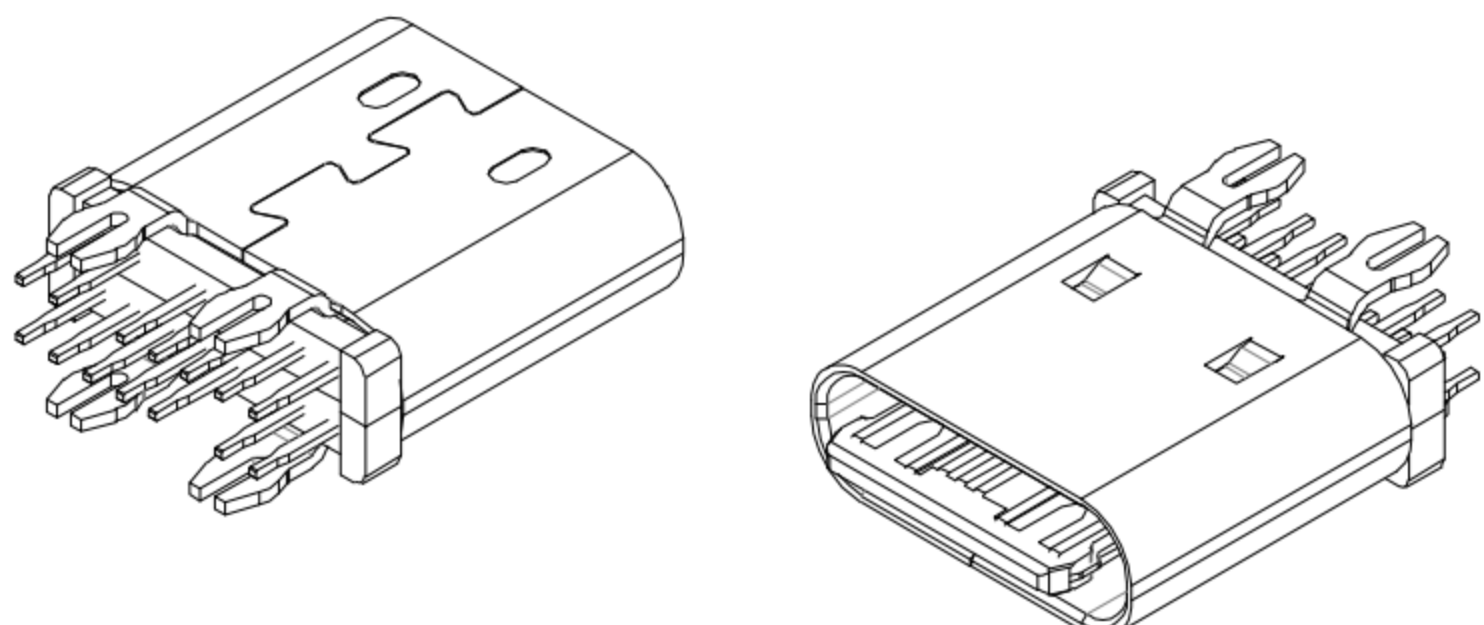
1



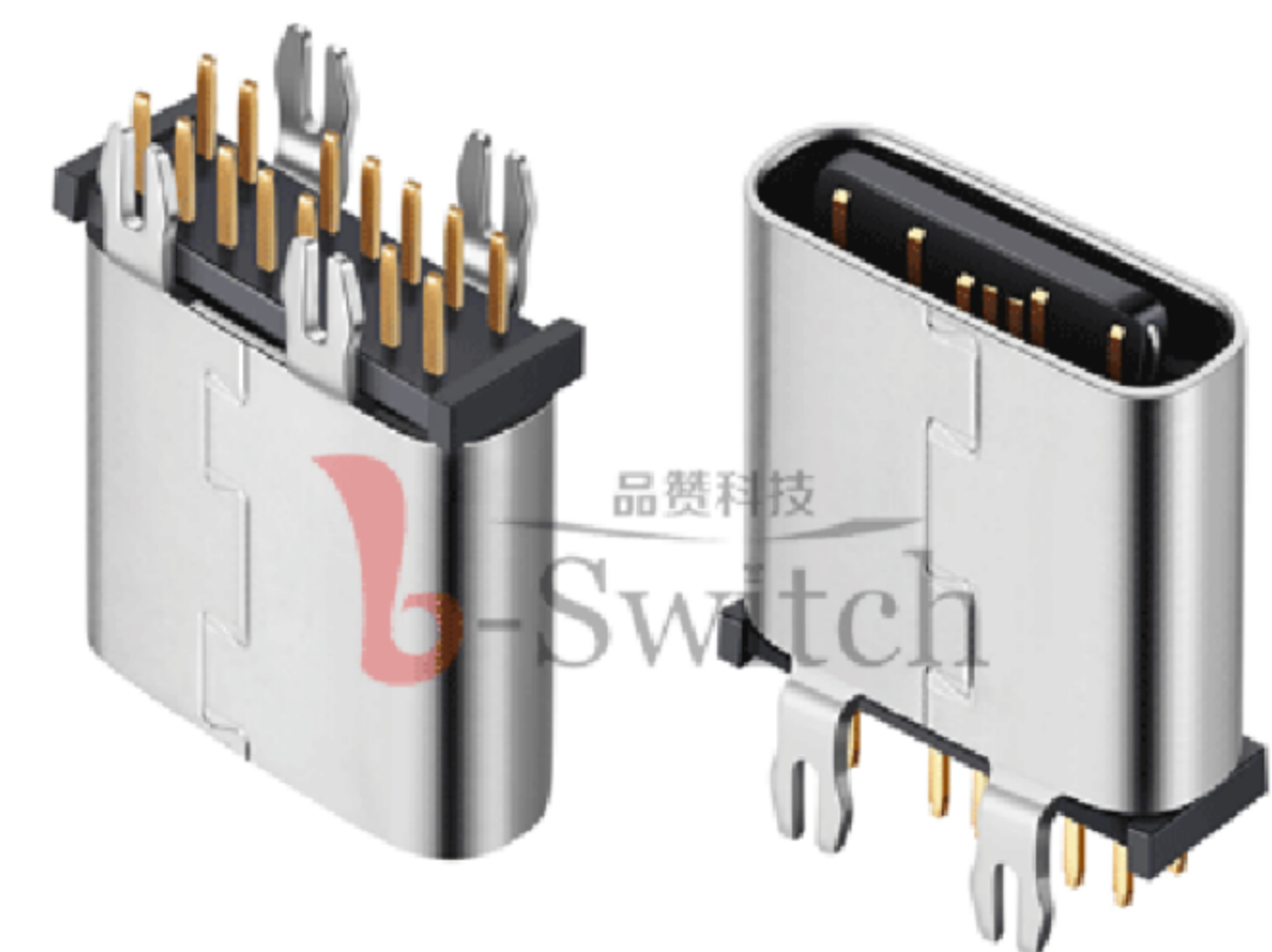
B



C

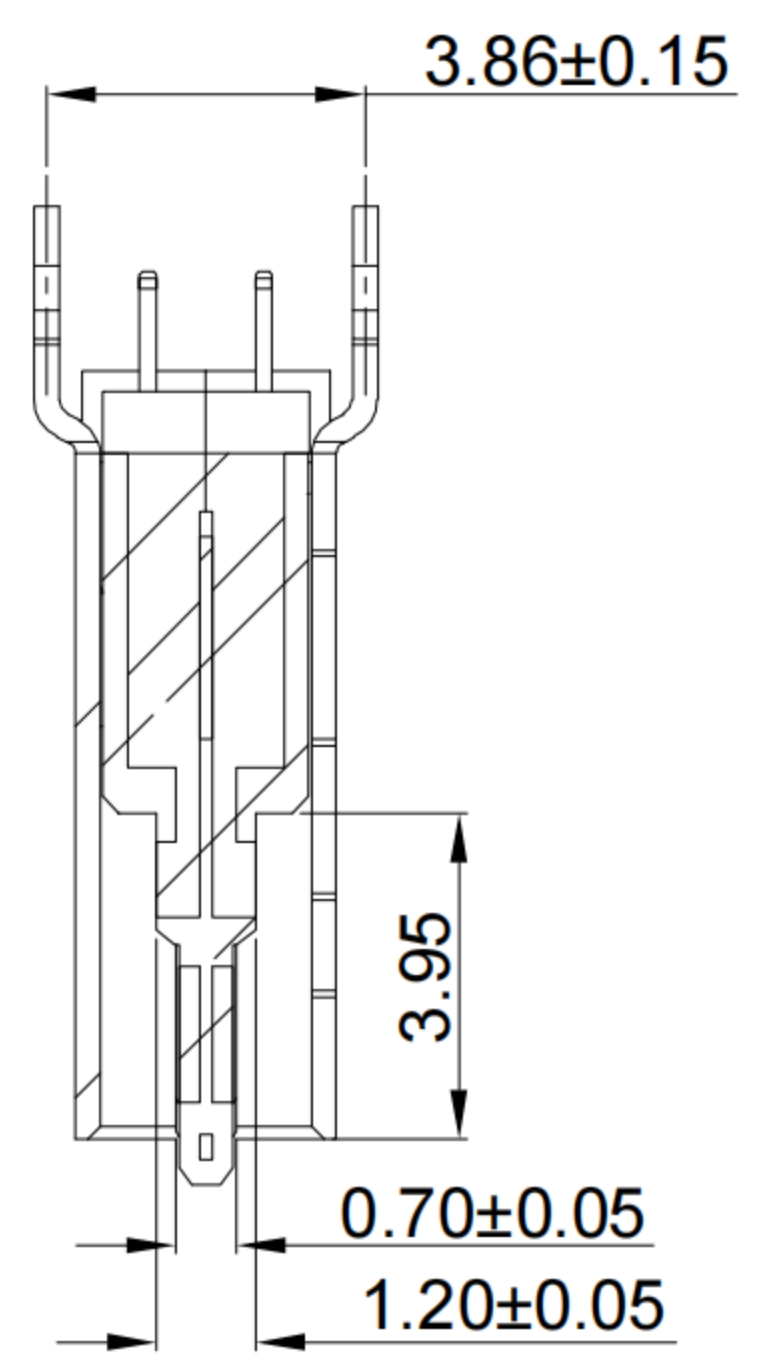
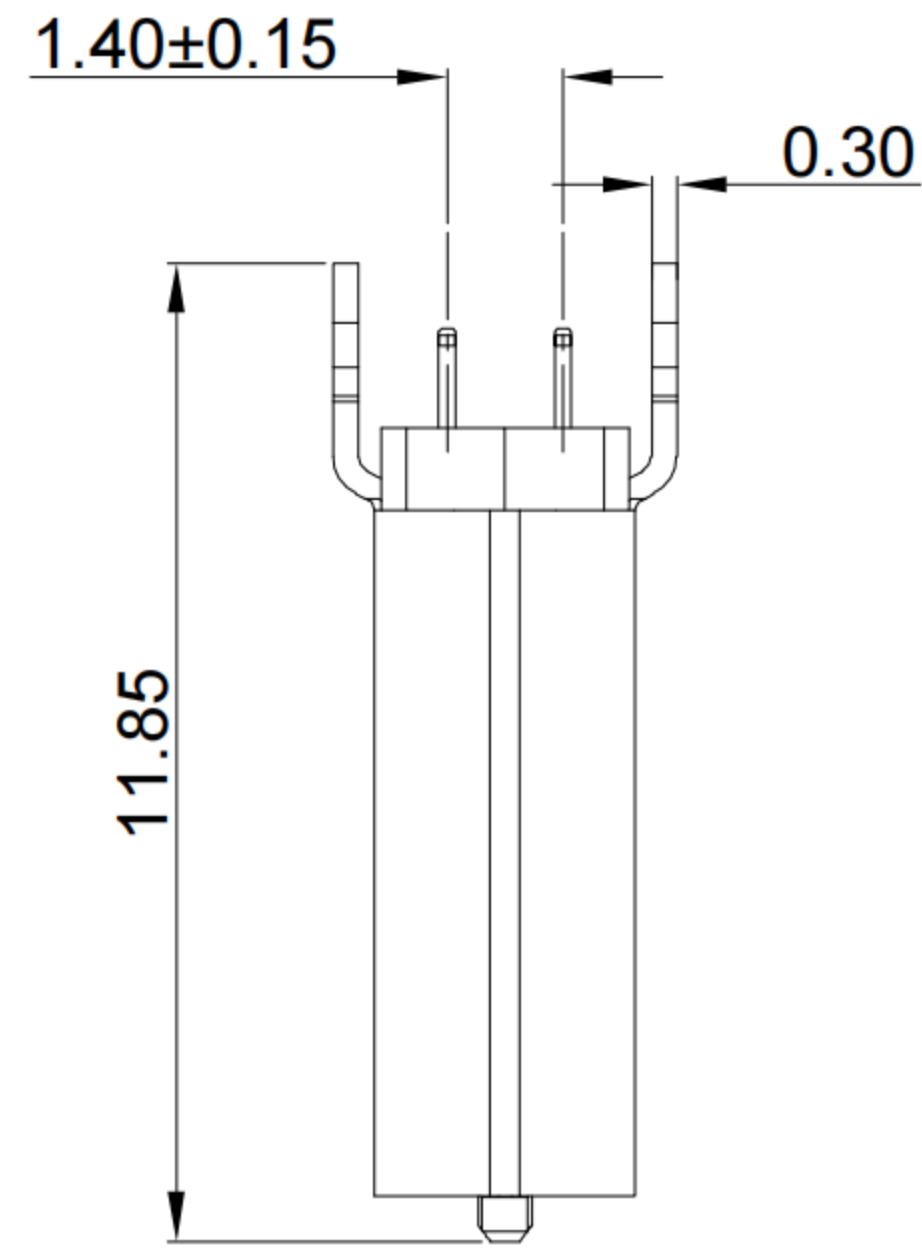
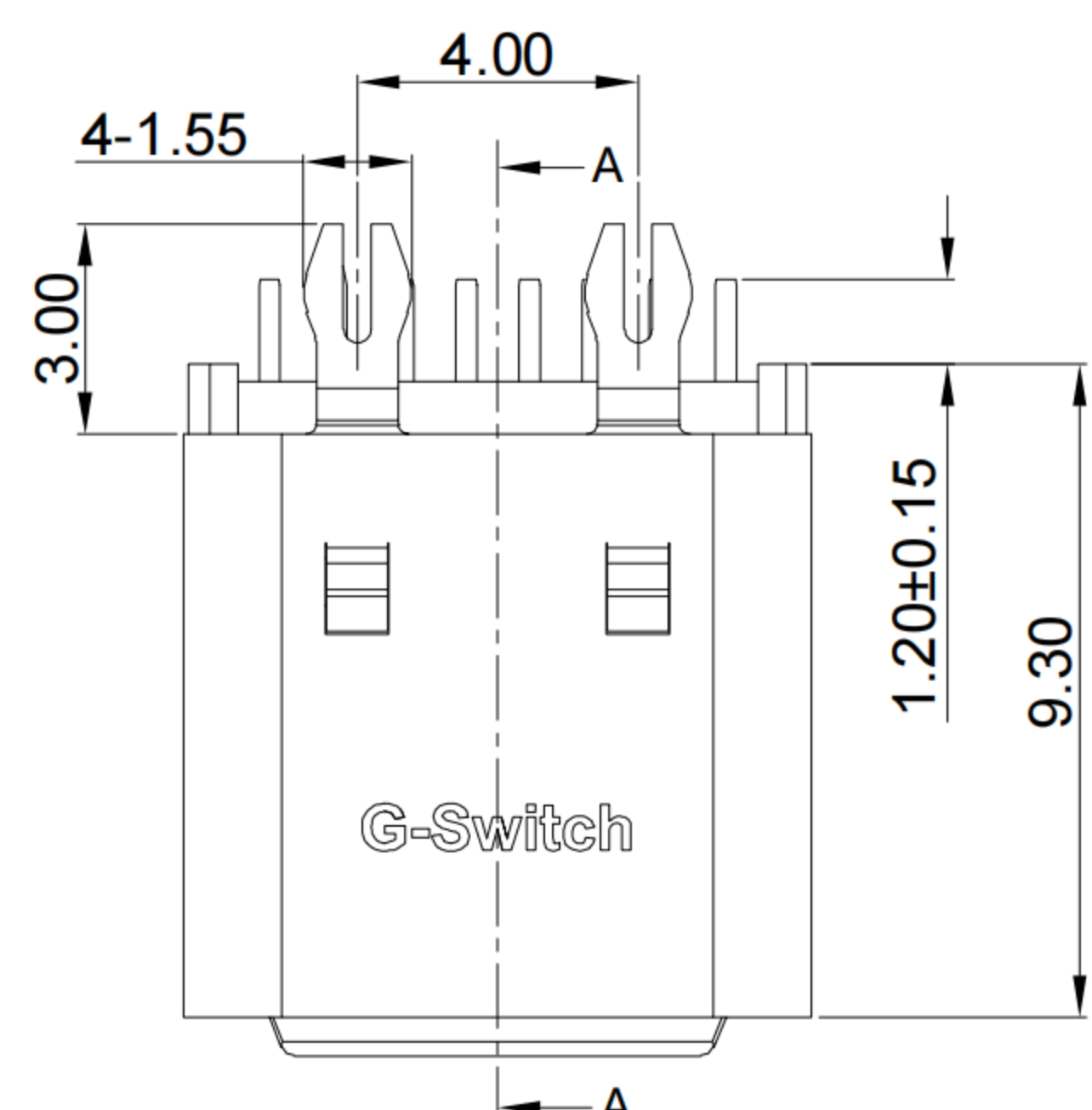


D



E

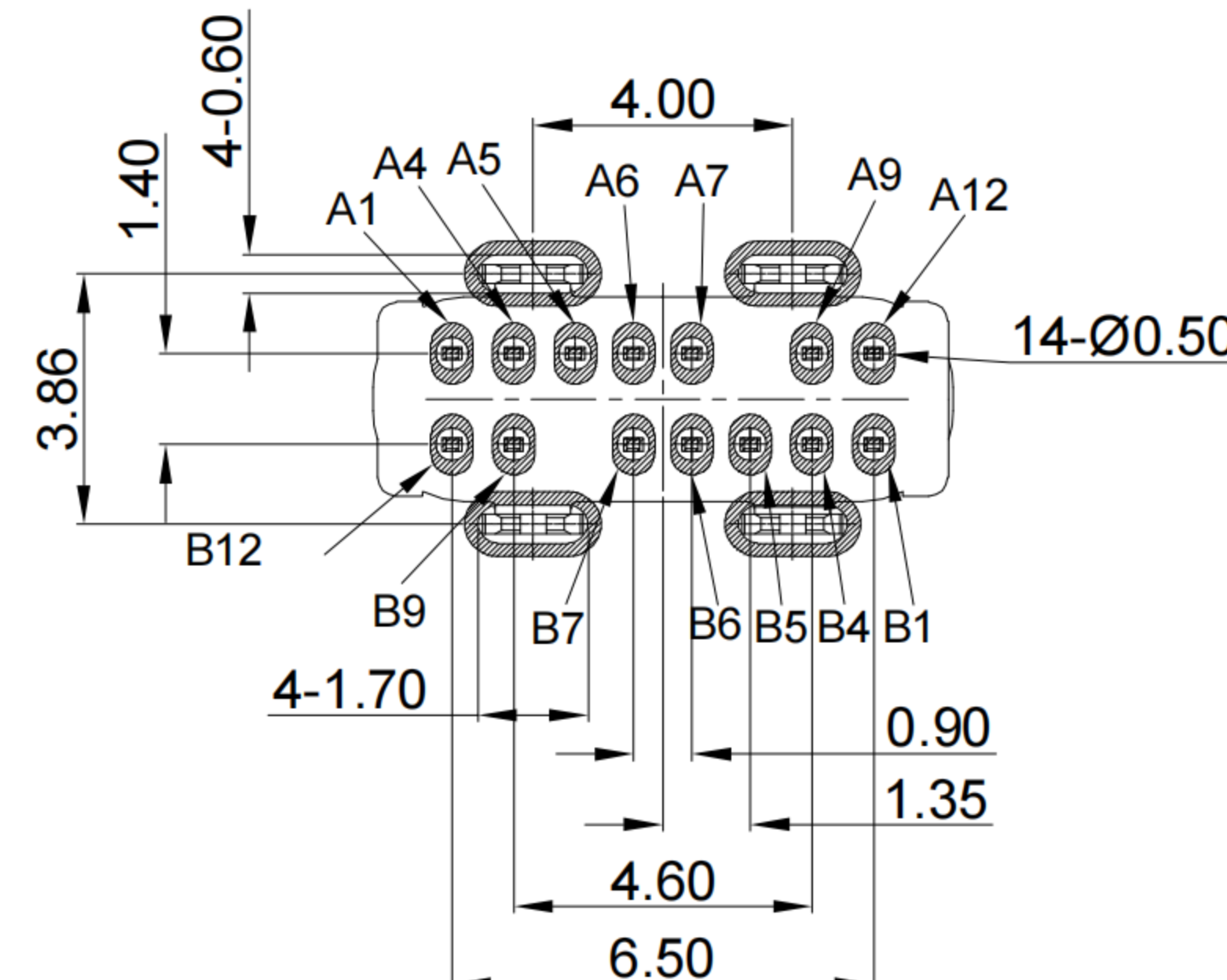
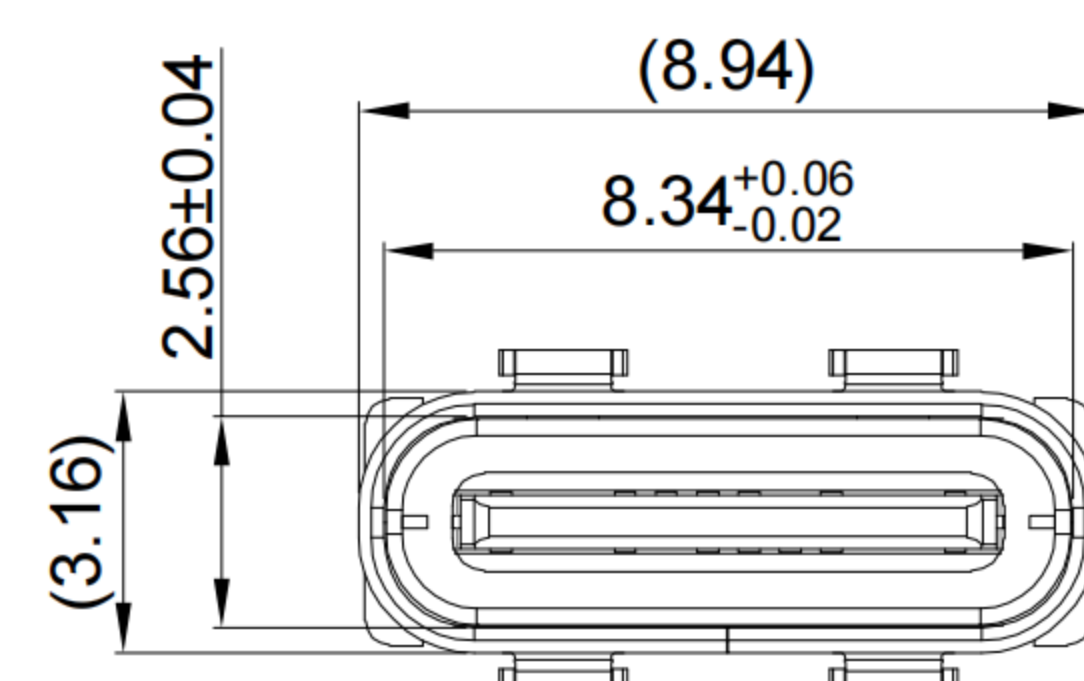
2



G-Switch USB-C Specification:

- 1.Current rated: 5A on Vbus/1.25A on Vconn/0.25A on other
Voltage rating: 24V AC
- 2.Withstanding voltage: 100V AC/minute
- 3.Contact Resistance: 40mΩ Max
- 4.Insulation Resistance: 100MΩ Min
- 5.Operating temperature: -40 °C ~ +85 °C
- 6.Mating force: 5N~20N
- 7.Unmating force: 8N~20N
- 8.Durability Cycle:10,000 Cycles

3



RECOMMENDED PCB LAYOUT TOLERANCE:±0.05

4

SCALE: 1:1 UNIT: mm
 SIZE: A4

Title: Vertical Type-c 14P Female
 DIP H=9.3mm

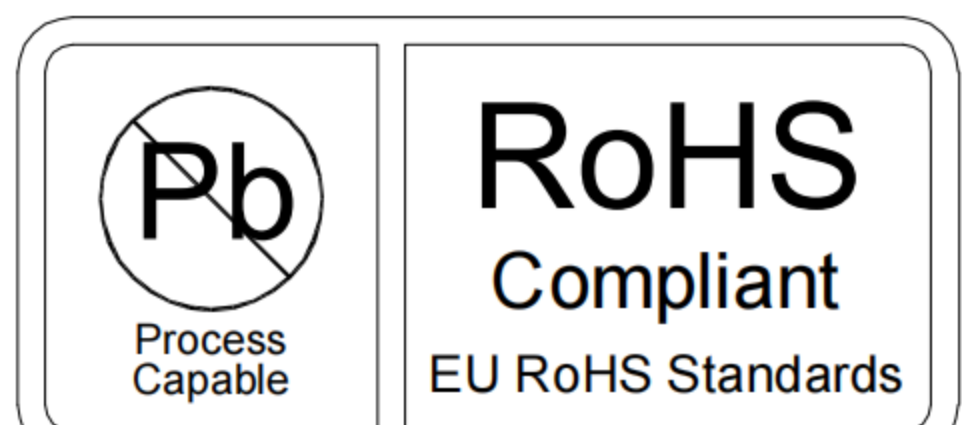
Unless otherwise
 General Tolerance:
 X. ±0.25
 X.x ±0.20
 X.xx ±0.15
 X.xxx ±0.10
 X° ±5°

Title: Vertical Type-c 14P Female DIP H=9.3mm			
Molde Code: GT-USB-7035B			
DRAWN	CHECKED	APPROVED	DATE
Xia	Chen	Chen	2023.02.01



5

1	SHELL	ZINC ALLOG	Ni PLATED
2	MIDDLE PLATE	STAINLESS STEEL	--
3	HOUSING	HIGH TEMPERATURE PLASTIC	BLACK UL 94 V-0
4	TERMINALS	COPPER ALLOY	Au PLATING ON CONTACT AREA
NO.	PARTS	MATERIAL	REMARKS



REV: A0 SHEET: 1/1