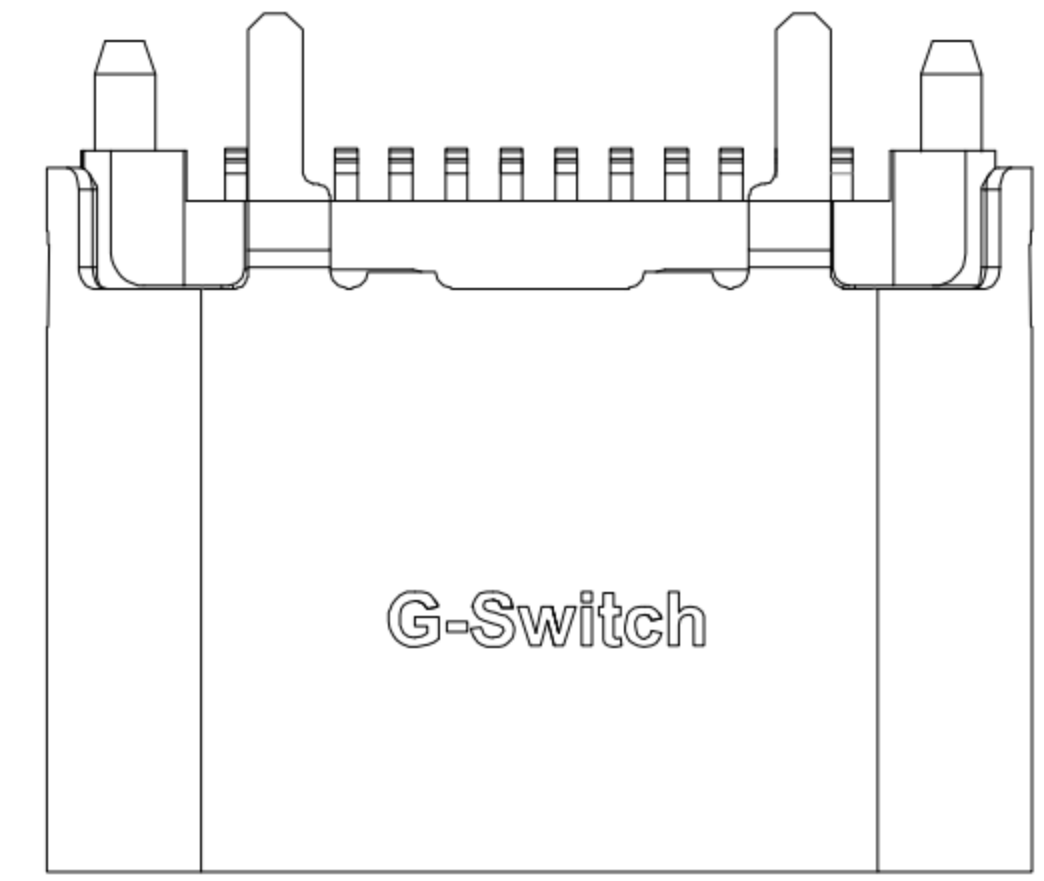
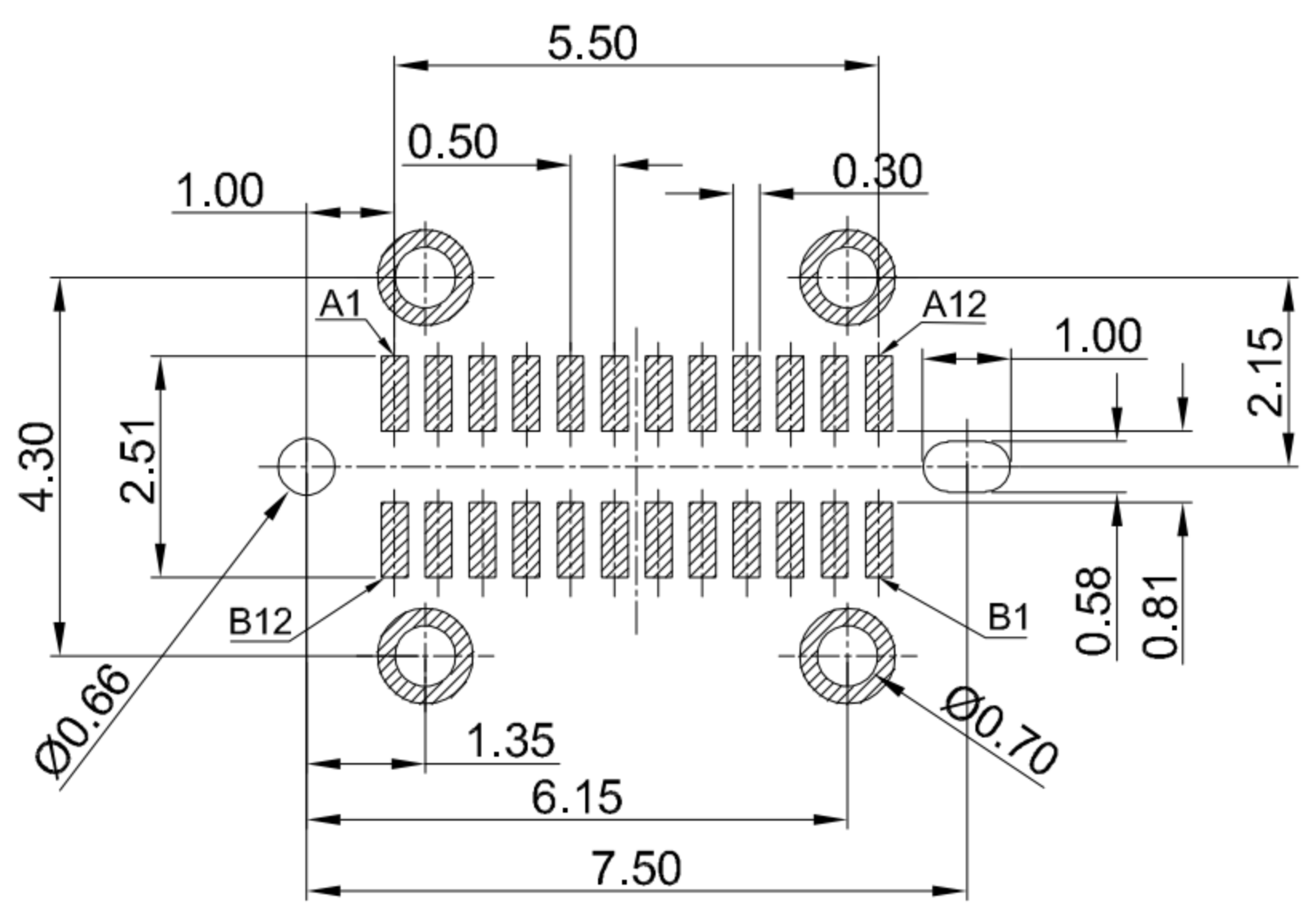
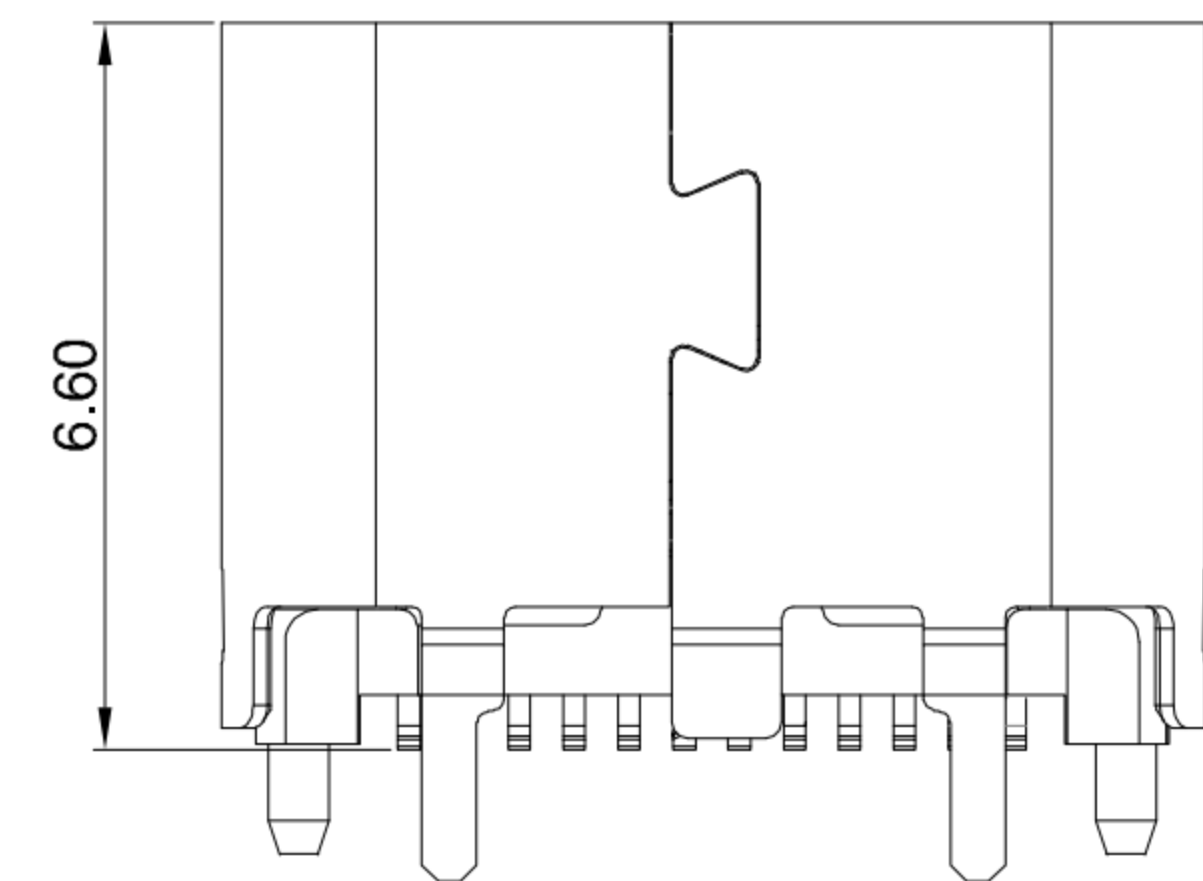
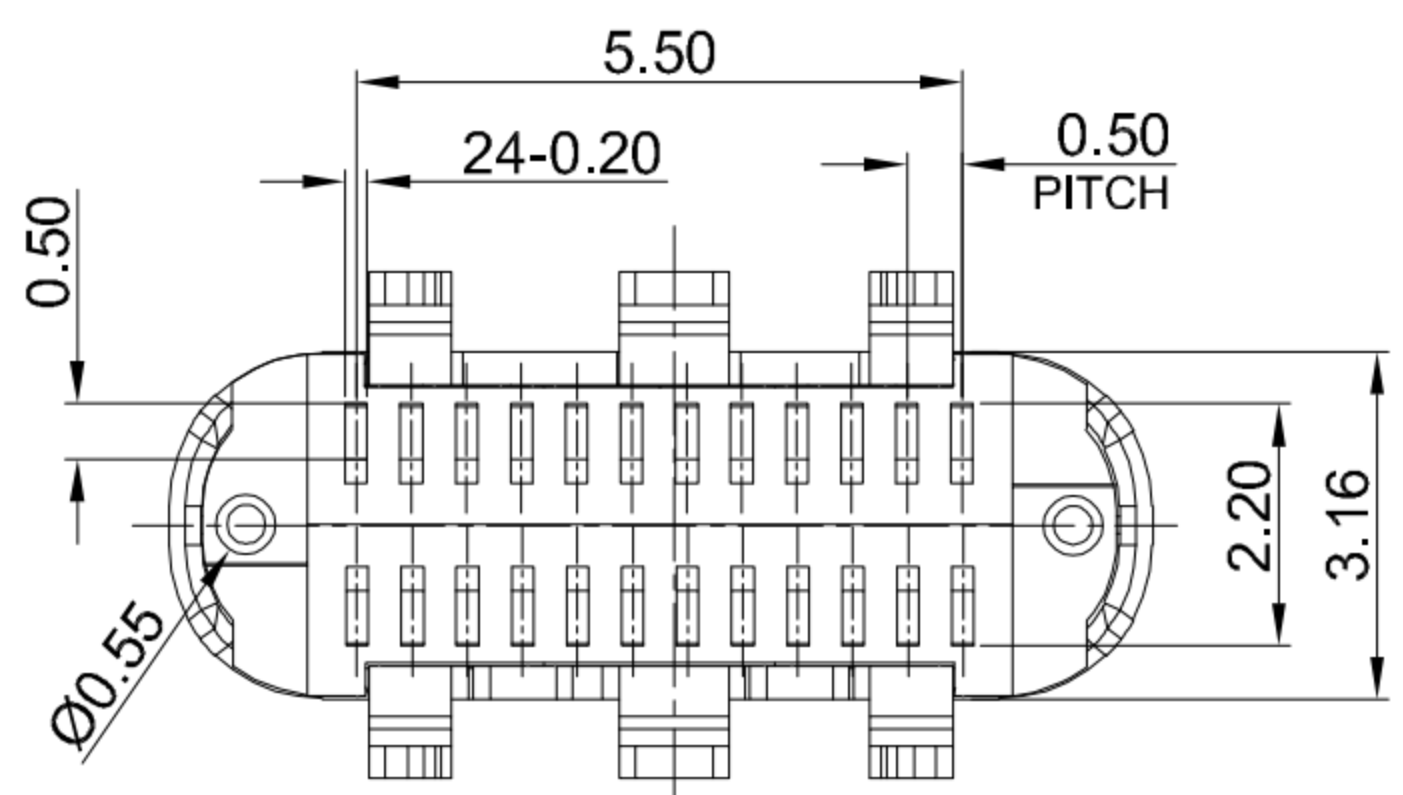
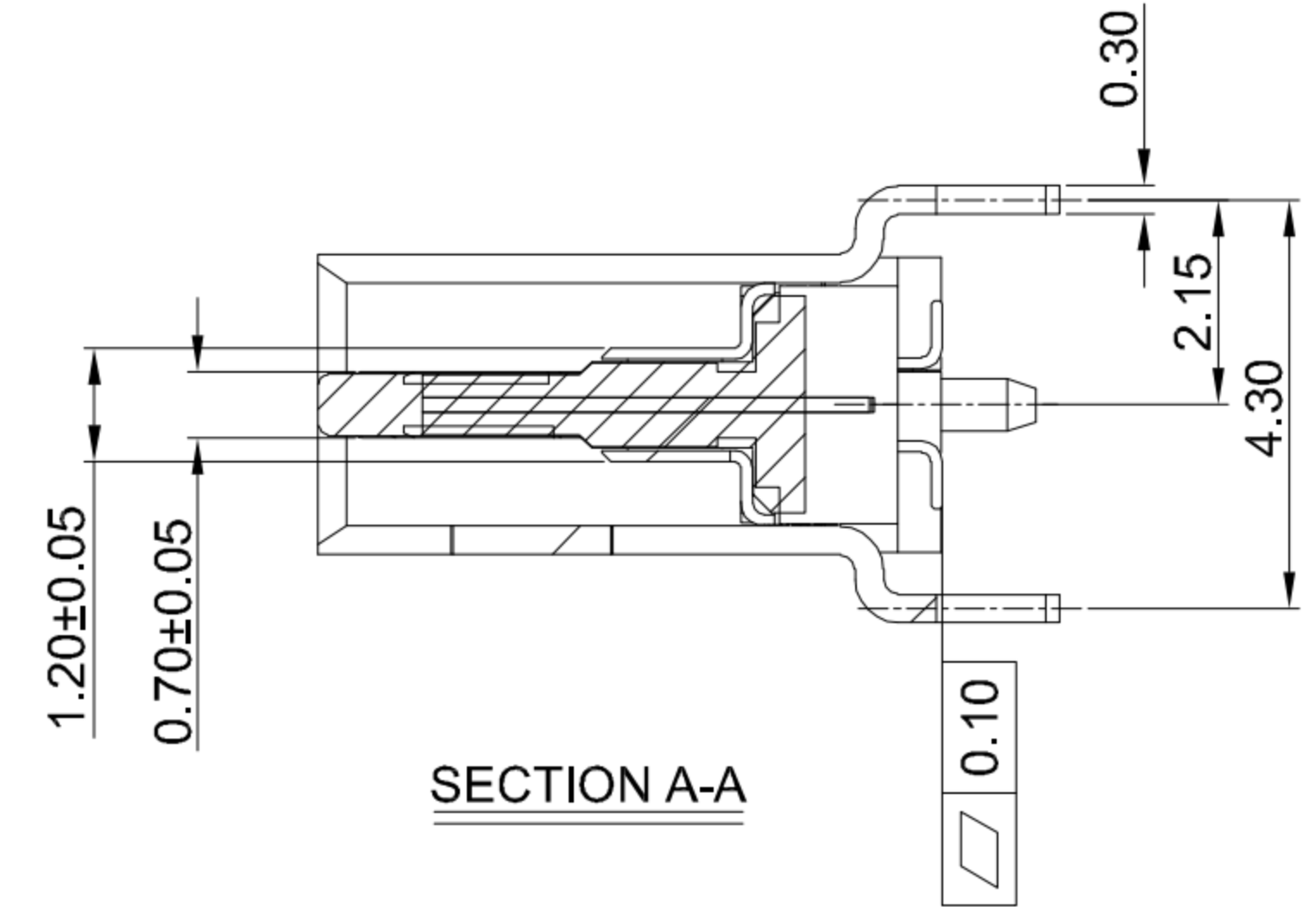
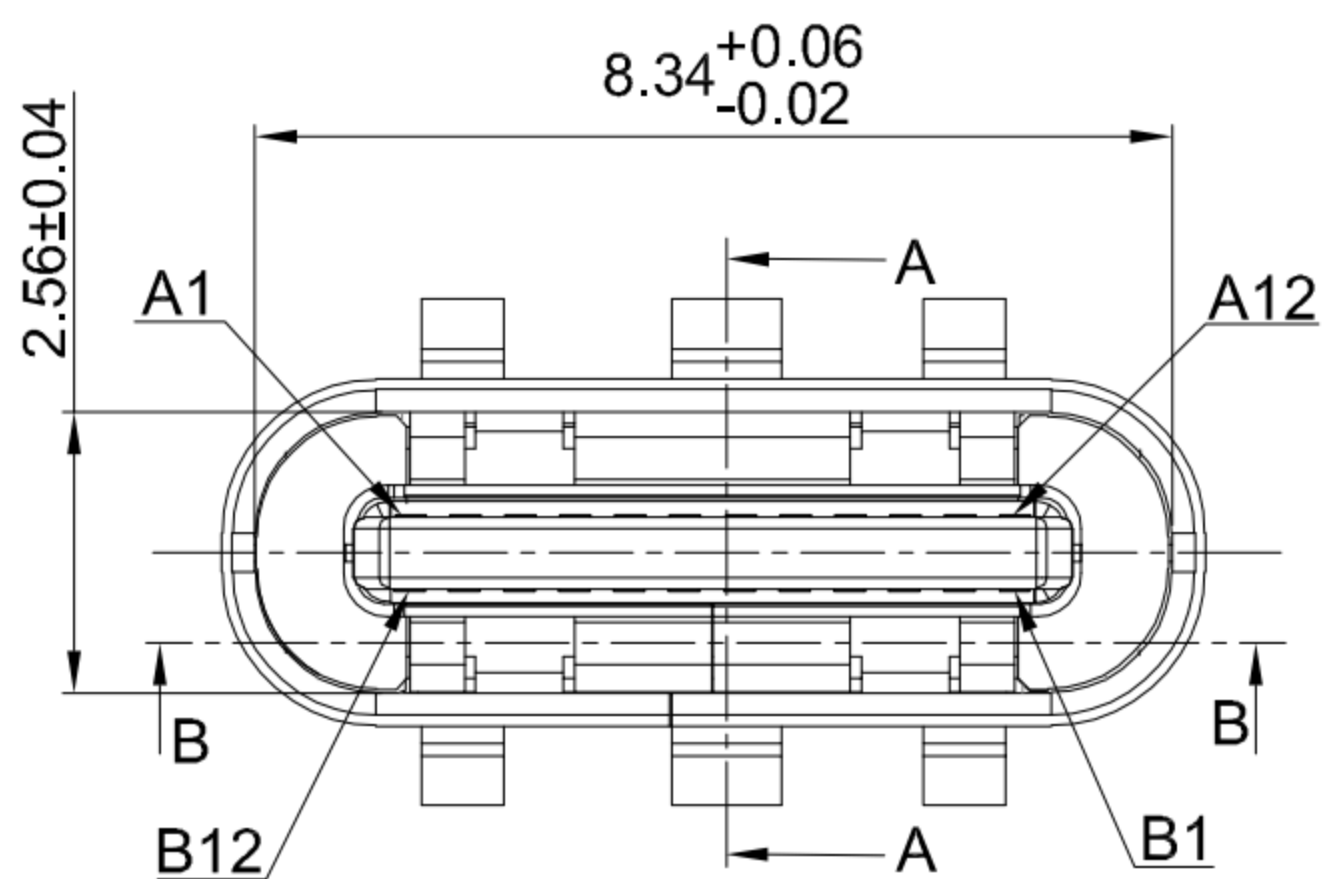


G-Switch USB-C Specification:

- Current rating: 5A on Vbus/1.25A on Vconn/0.25A on other
- Voltage rating: 24V AC
- Dielectric Voltage: 100V AC/minute
- Contact resistance: 40mΩ Max
- Insulation resistance: 100MΩ Min
- Operating temperature: -55 °C ~ +85 °C
- Mating force: 5N~20N
- Unmating force: 8N~20N
- Durability cycle: 10,000 cycles
- Data transmission rate up to 5Gbps



A1	A2	A3	A4	A5	A6	A7	A8	A9	A10	A11	A12
GND	SSTXp1	SSTXn1	VBUS	CC1	Dp1	Dn1	SBU1	VBUS	SSRXn2	SSRXp2	GND
First	Second	Second	First	Second	Second	Second	Second	First	Second	Second	First

B12	B11	B10	B9	B8	B7	B6	B5	B4	B3	B2	B1
GND	SSRXp1	SSRXn1	VBUS	SBU2	Dn2	Dp2	CC2	VBUS	SSTXn2	SSTXp2	GND
First	Second	Second	First	Second	Second	Second	Second	First	Second	Second	First

	SHELL	STAINLESS STEEL	Ni Plated
2	EMI	STAINLESS STEEL	Ni Plated
3	MID PLATE	STAINLESS STEEL	Ni Plated
4	HOUSING	HIGH TEMPERATURE PLASTIC	Black UL 94 V-0
5	TERMINALS	COPPER ALLOY	AU3U* PLATING ON CONTACT AREA
NO.	PARTS	MATERIAL	REMARKS

RECOMMENDED P.C.B. LAYOUT
TOLERANCE ±0.05mm



SCALE: 4:1 UNIT: mm
SIZE: A4

Unless otherwise
General Tolerance:
X.x ±0.30
X.xx ±0.15
X.xxx ±0.10
X° ±5°
X.x° ±2°

Title: Vertical Type-c 24P Female
SMT H=6.6mm

Molde Code: GT-USB-7052A

DRAWN	CHECKED	APPROVED	DATE
Xia	Chen	Chen	2022.11.26



REV: A0 SHEET: 1/1