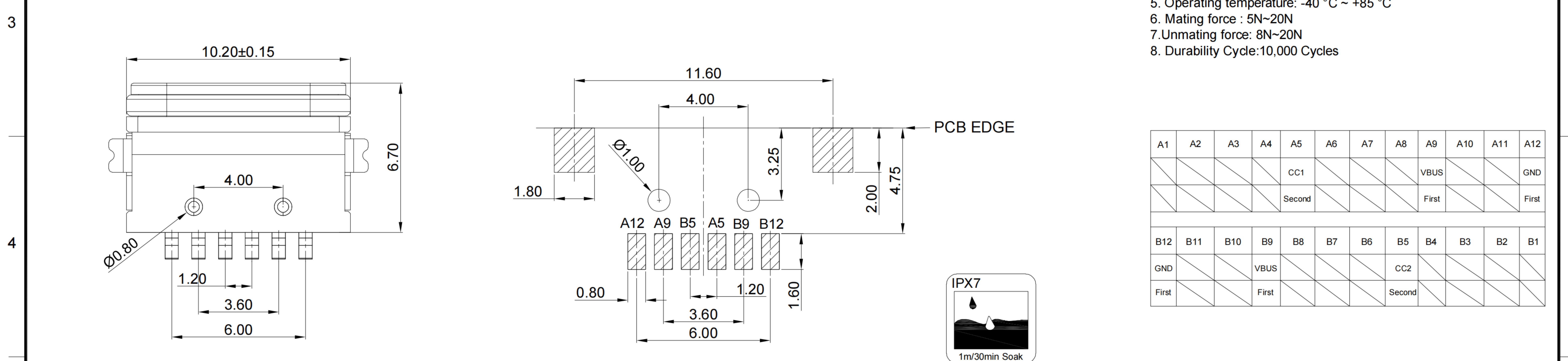
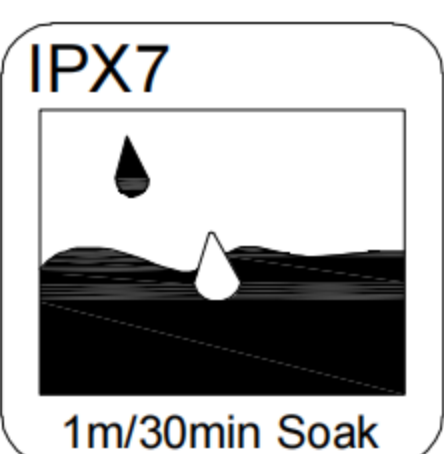


- G-Switch USB-C Specification:**
- Current rated: 5A on Vbus/1.25A on Vconn/0.25A on other  
Voltage rating: 5V AC
  - Withstanding voltage: 100V AC/minute
  - Contact Resistance: 40mΩ Max
  - Insulation Resistance: 100MΩ Min
  - Operating temperature: -40 °C ~ +85 °C
  - Mating force : 5N~20N
  - Unmating force: 8N~20N
  - Durability Cycle: 10,000 Cycles



A1	A2	A3	A4	A5	A6	A7	A8	A9	A10	A11	A12
				CC1				VBUS			GND
				Second				First			First
B12	B11	B10	B9	B8	B7	B6	B5	B4	B3	B2	B1
GND			VBUS				CC2				
First			First				Second				



1	SHELL	STAINLESS STEEL	NI PLATED
2	MID PLATE	STAINLESS STEEL	—
3	HOUSING	HIGH TEMPERATURE PLASTIC	LCP BLACK UL 94 V-0
4	HOUSING	HIGH TEMPERATURE PLASTIC	PA46 BLACK UL 94 V-0
5	TERMINALS	COPPER ALLOY	Au3u" Plating On Contact Area Ni and Matte Tin On Solder Area
6	WATERPROOF RING	SILICA GEL	RED
NO.	PARTS	MATERIAL	REMARKS

RECOMMENDED PCB LAYOUT  
TOLERANCE: ±0.05

SCALE: 4:1 UNIT: mm  
SIZE: A4

Title: Horizontal Type-c 6P Female  
SMT CH=1.65 L=6.7mm

Molde Code: GT-USB-7041A

DRAWN	CHECKED	APPROVED	DATE
Xia	Chen	Chen	2022.12.08

Unless otherwise  
General Tolerance:  
X. ±0.20  
X.x ±0.15  
X.xx ±0.10  
X.xxx ±0.05  
Angles ±3°

REV: A0 SHEET: 1/1