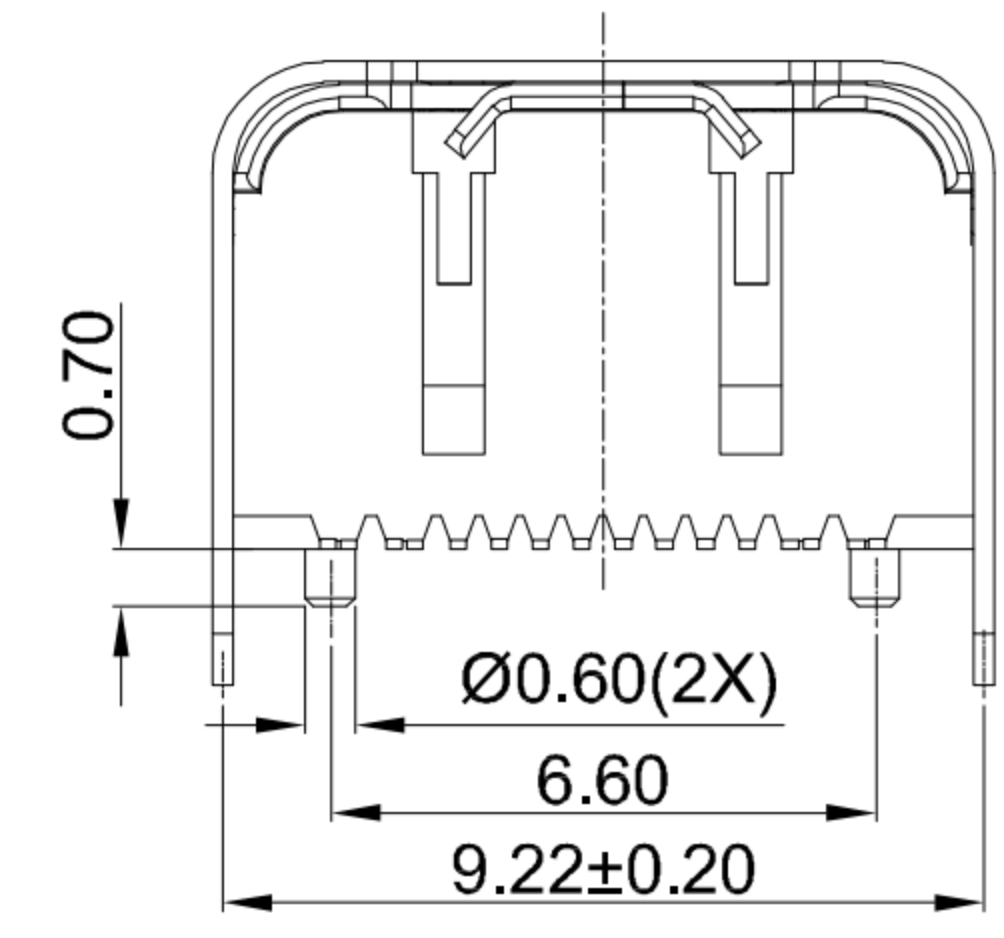
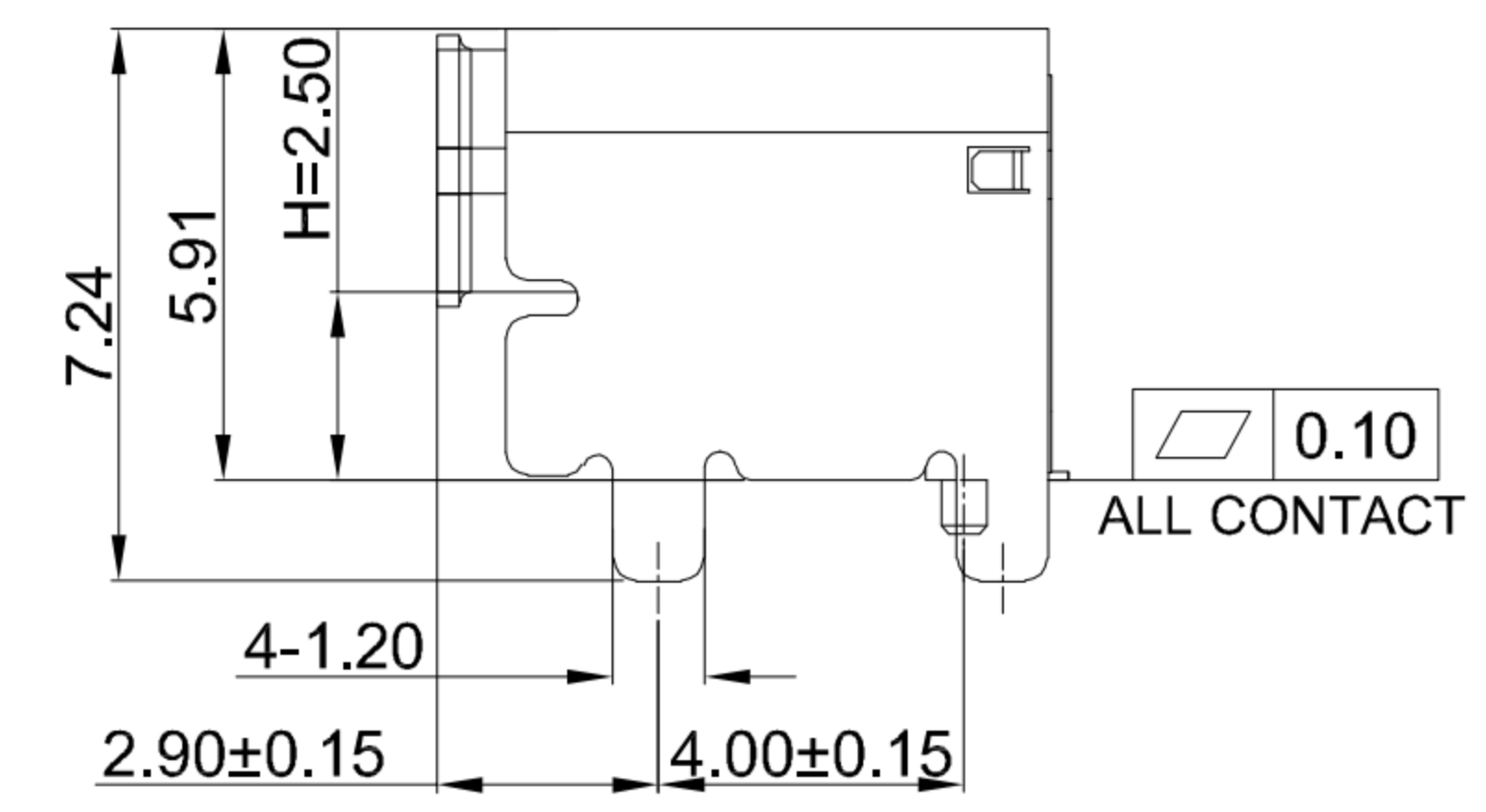
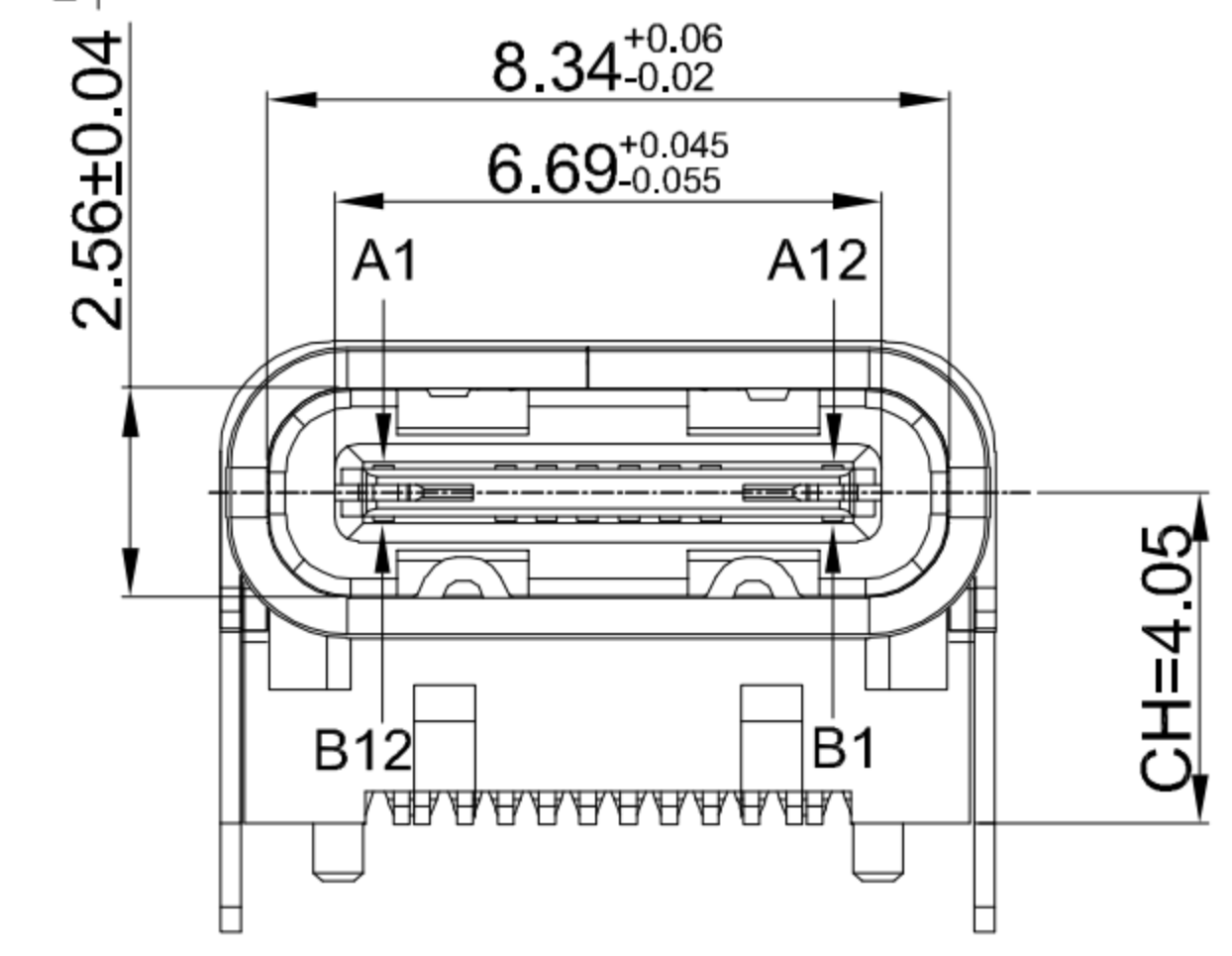
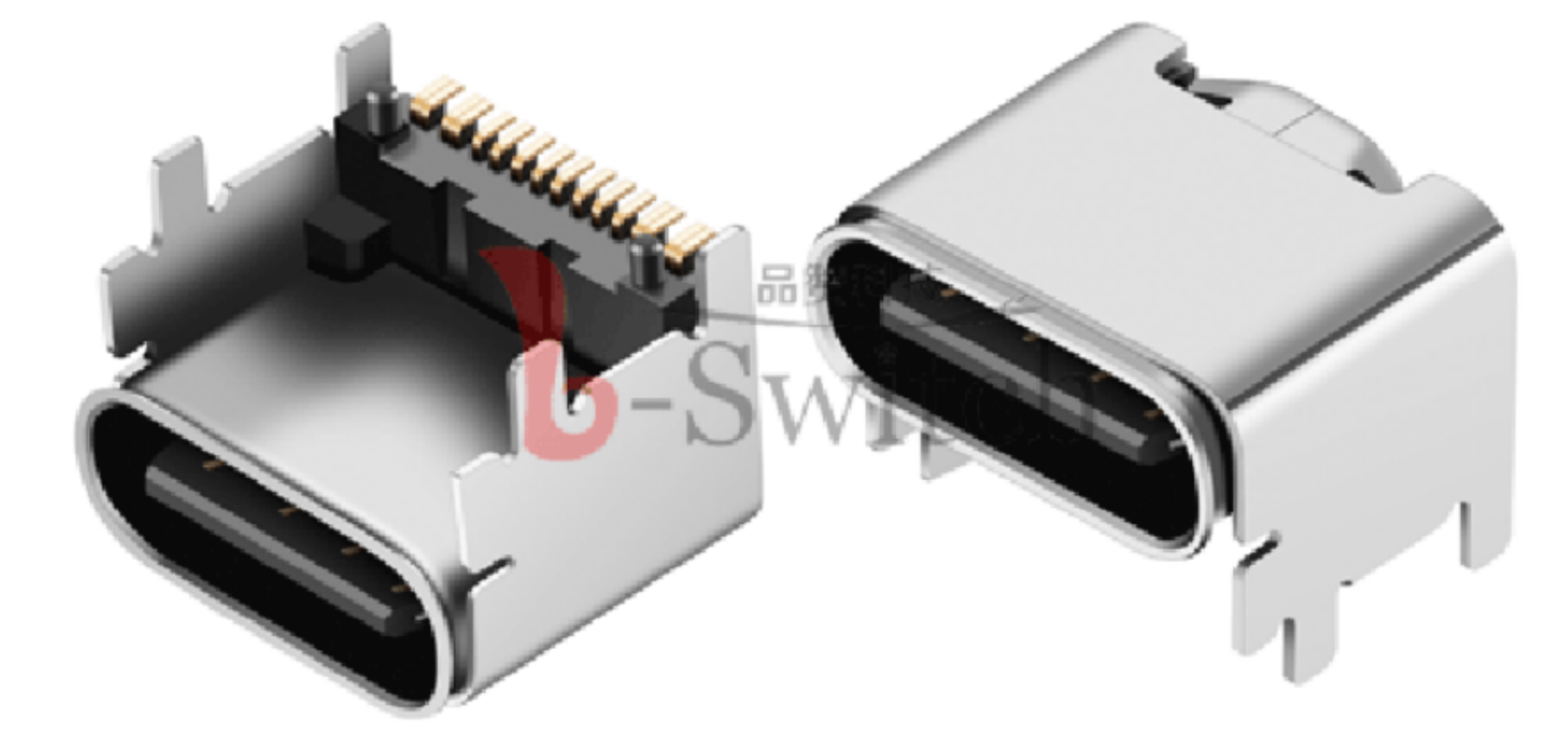
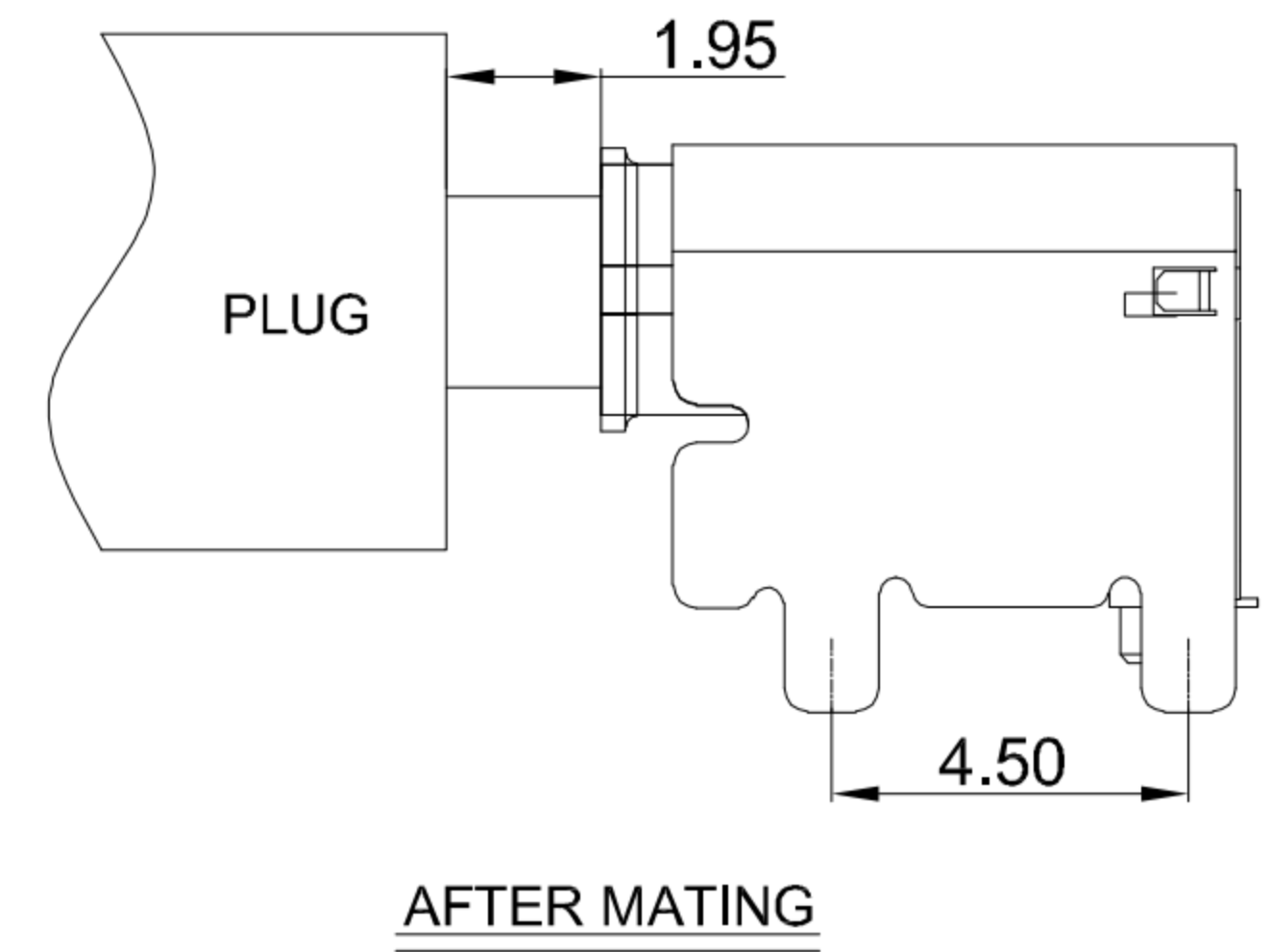
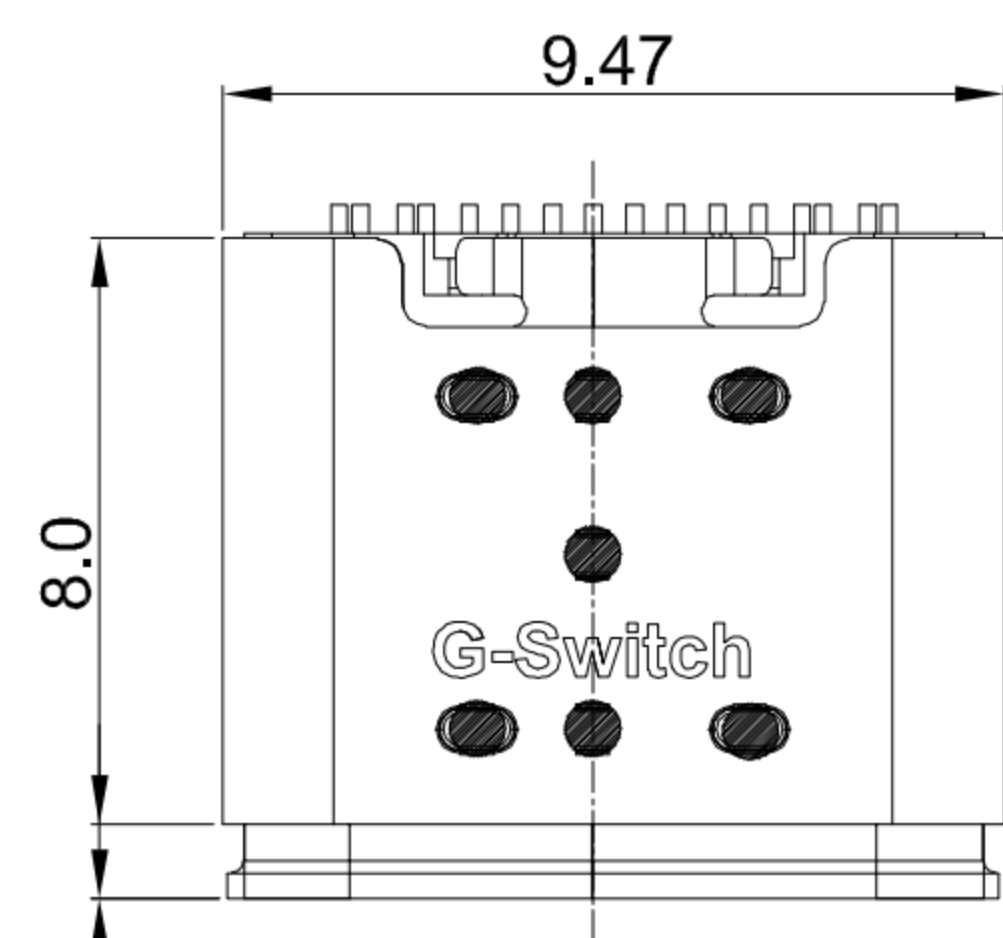
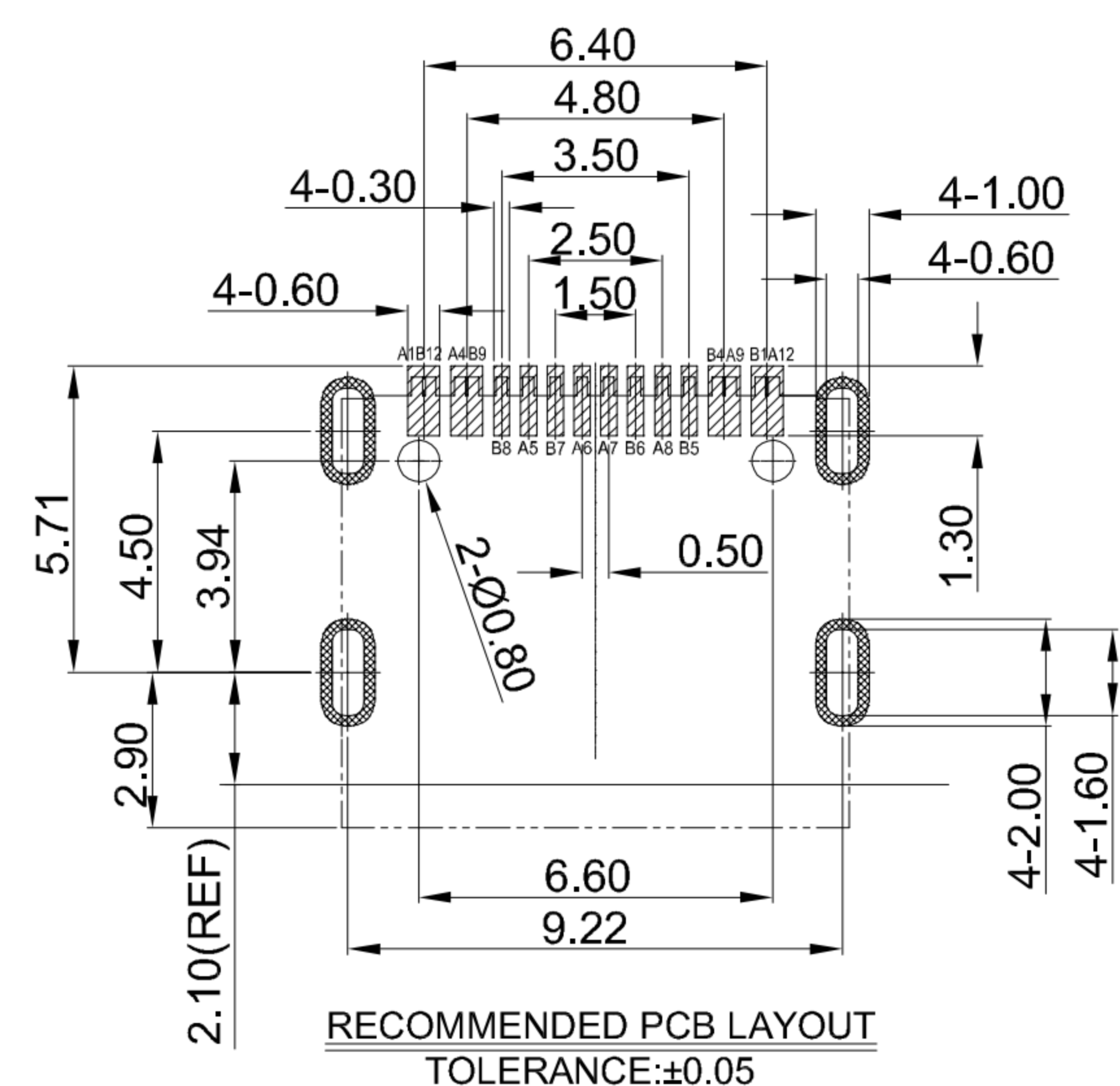
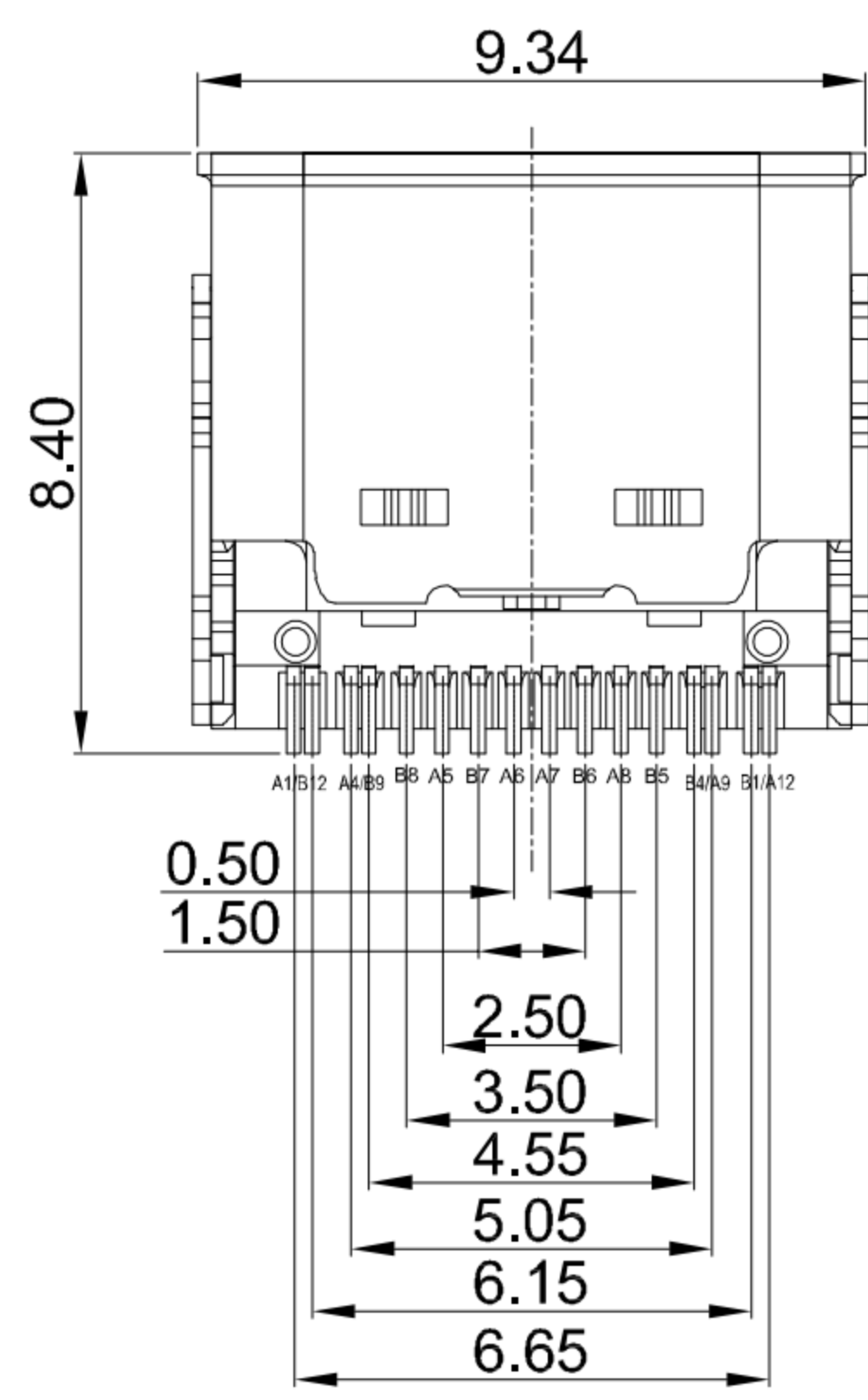


A B C D E



- G-Switch USB-C Specification:**
- 1.Current rated: 5A on vbus/1.25A on vconn/0.25A on other  
Voltage rating: 24V AC
  - 2.Withstanding voltage: 100V AC/minute
  - 3.Contact resistance: 40mΩ Max
  - 4.Insulation resistance: 100MΩ Min
  - 5.Operating temperature: -40°C ~ +85°C
  - 6.Mating force : 5N~20N
  - 7.Unmating force: 8N~20N
  - 8.Durability cycle:10,000 cycles



A1	A2	A3	A4	A5	A6	A7	A8	A9	A10	A11	A12
GND			VBUS	CC1	D+	D-	SBU1	VBUS			GND
First			First	Second	Second	Second	Second	First			First
B12	B11	B10	B9	B8	B7	B6	B5	B4	B3	B2	B1
GND			VBUS	SBU2	D-	D+	CC2	VBUS			GND
First			First	Second	Second	Second	Second	First			First

1	HOUSING	HIGH TEMPERATURE PLASTIC	Black UL 94 V-0
2	CONTACT	COPPER ALLOY	Au PLATING ON CONTACT AREA
3	SHIELDING PLATE	STAINLESS STEEL	CLEAN
4	INNER SHELL	STAINLESS STEEL	NI PLATED
5	OUTER SHELL	STAINLESS STEEL	NI PLATED
NO.	PARTS	MATERIAL	REMARKS



SCALE: 1:1	UNIT: mm	Title: Horizontal Type-c 16P Female Pad up 2.5 CH=4.05 L=8.0mm	
SIZE: A4		Molde Code: GT-USB-7016B01	
Unless otherwise General Tolerance:		DRAWN	CHECKED
X.	±0.25	Xia	Chen
X.x	±0.20		
X.xx	±0.15		
X.xxx	±0.10		
X°	±5°		
		APPROVED	DATE
		Chen	2023.02.01



REV: A0 SHEET: 1/1

1  
2  
3  
4  
5

1  
2  
3  
4  
5

A B C D E