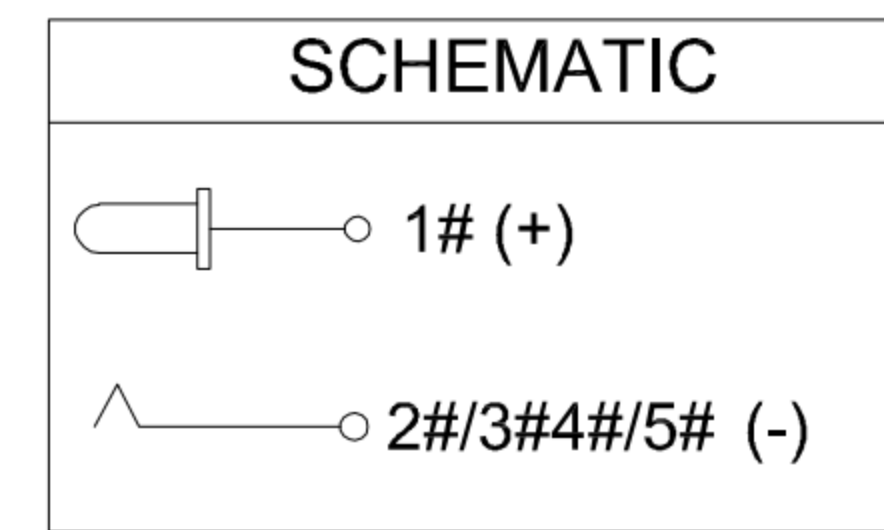
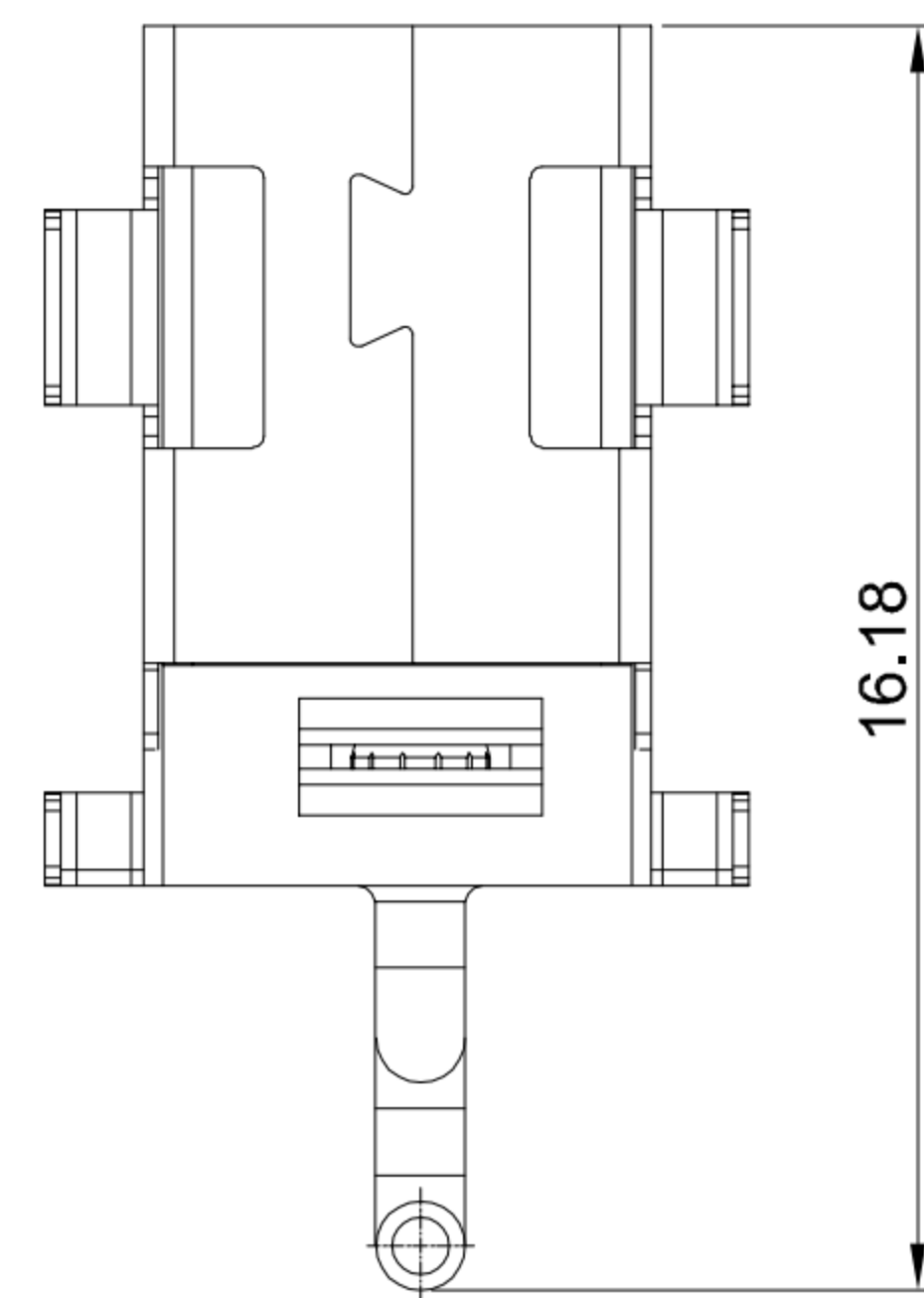
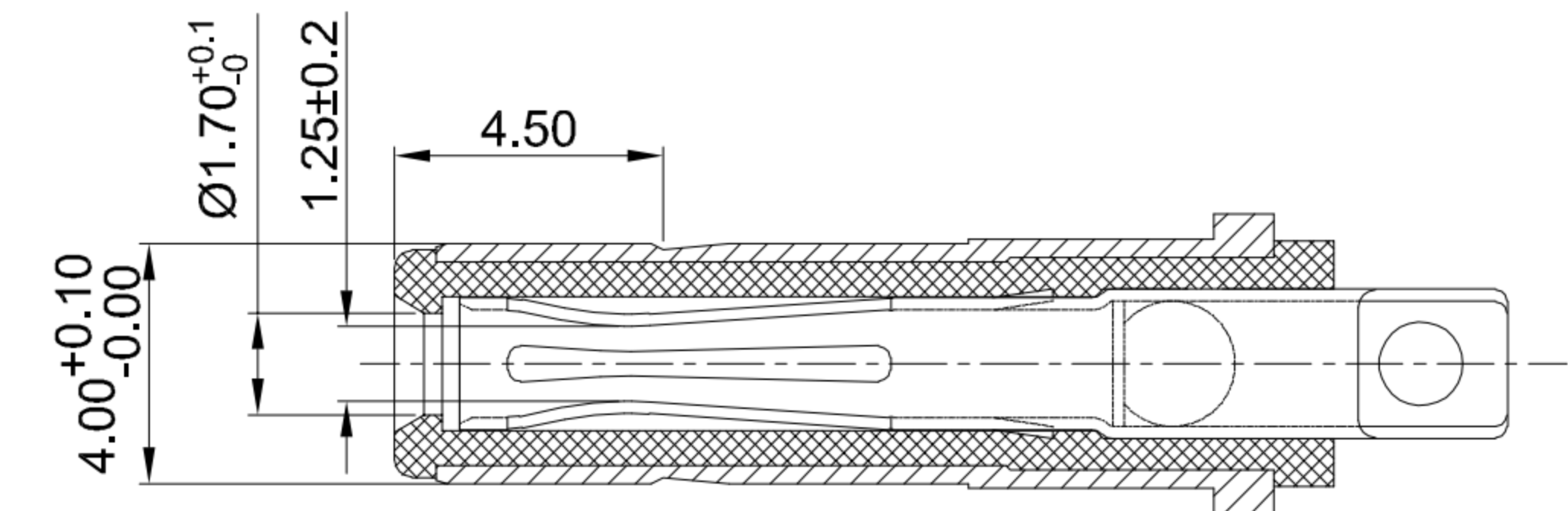
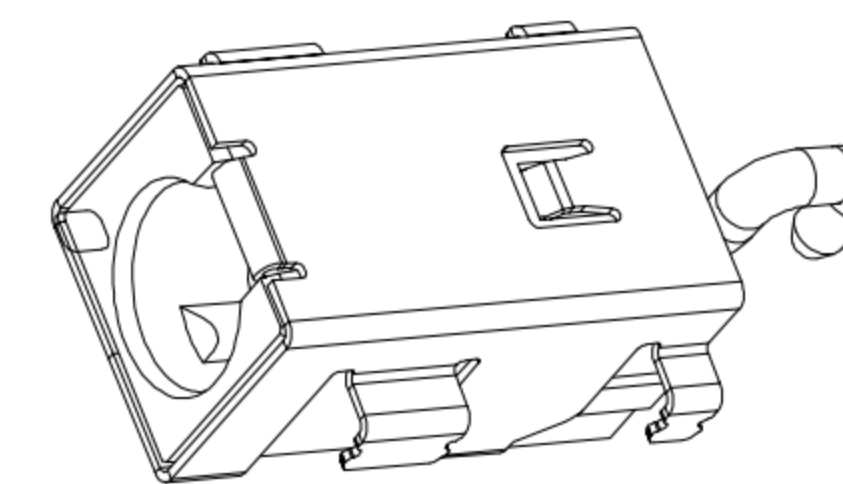


RECOMMENDED PCB LAYOUT
TOLERANCE:±0.05



CIRCUIT DIAGRAM



G-Switch Specification:

1. Operating temperature range: -40°C ~ +85°C
2. Rated load: 7A.20V DC
3. Insulation resistance: 100MΩ min
4. Withstand voltage: 500V AC/min
5. Contact resistance: 30mΩ max
6. Durability cycle: 5000 Cycles
7. Insertion force: 3N-30N
8. Extraction force: 3N-30N

A	HOUSING	HIGH TEMPERATURE PLASTIC	BLACK
B	SHELL	COPPER ALLOY	Ni PLATING
C	CENTER PIN	COPPER ALLOY	GOLD FLASH/Ni
NO.	PART NAME	MATERIAL	REMARK



SCALE: 1:1 UNIT: mm
SIZE: A4

Title: Horizontal DC Power Jack 4017
DIP Sink 3.75 CH=0.87 L=11.0 Ø1.65mm

Unless otherwise
General tolerance:
X ±0.50
X.x ±0.30
X.xx ±0.20
X.xxx ±0.10
X.° ±3°

Molde Code: DC-S003A-D0165-7A

DRAWN	CHECKED	APPROVED	DATE
Xia	Chen	Chen	2023.02.01



REV: A0 SHEET: 1/1