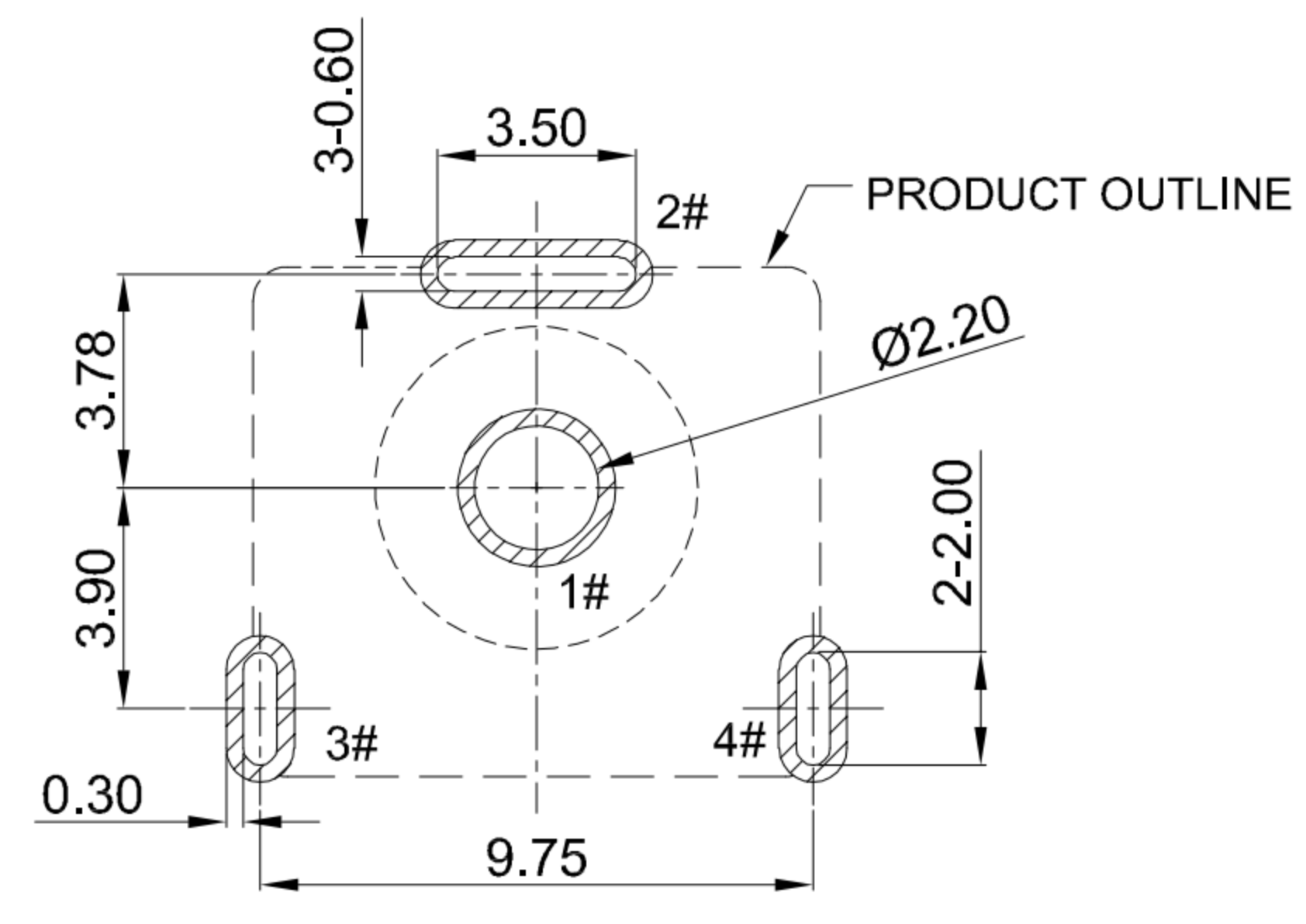
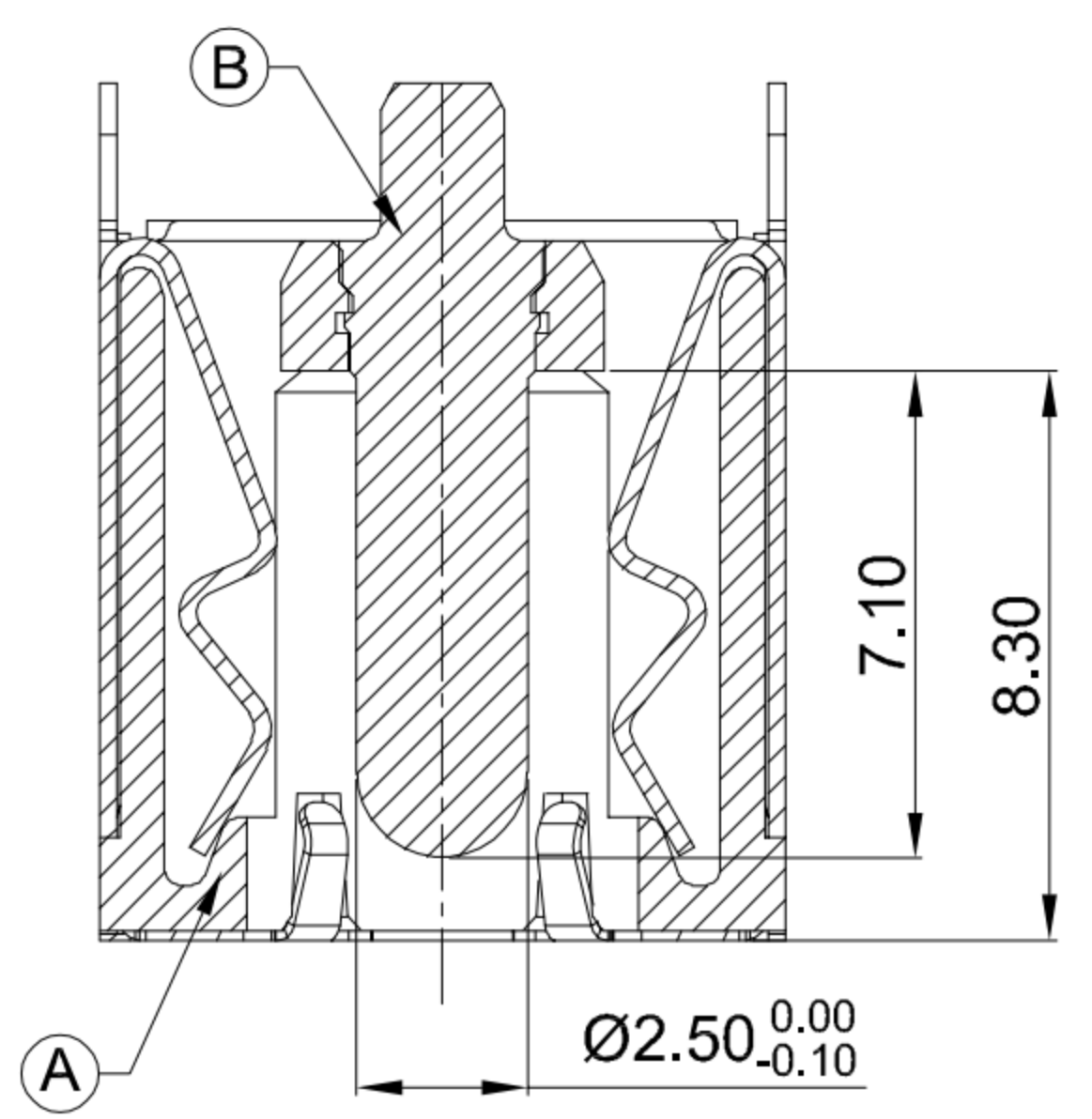


MATING PLUG Ø5.5xØ2.5mm



RECOMMENDED PCB LAYOUT TOLERANCE:±0.05

- G-Switch Specification:**
1. Operating temperature range: -40°C ~ +85°C
 2. Rated load: 20A.20V DC
 3. Insulation resistance: 100MΩ min
 4. Withstand voltage: 500V AC/min
 5. Contact resistance: 30mΩ max(Initial), 50mΩ max(Final)
 6. Durability cycle: 5000 Cycles
 7. Insertion and extraction force: 3-30N

A	HOUSING	HIGH TEMPERATURE PLASTIC	BLACK
B	CENTER PIN	BRASS	GOLD FLASH
C	SHELL	COPPER ALLOY C5210	Ni PLATING
D	GROUND	SUS 304	
E	MYLAR		
NO.	PART NAME	MATERIAL	REMARK



SCALE: 1:1	UNIT: mm	Title: Vertical DC Power Jack 5525	
SIZE: A4		DIP H=10.5 Ø2.5mm	
Unless otherwise General tolerance:		Molde Code: DC-S011A-D025-20A	
X	±0.50	DRAWN	CHECKED
X.x	±0.30	APPROVED	DATE
X.xx	±0.20	Xia	Chen
X.xxx	±0.10	Chen	2023.02.01
X.x°	±3°		



REV: A0 SHEET: 1/1