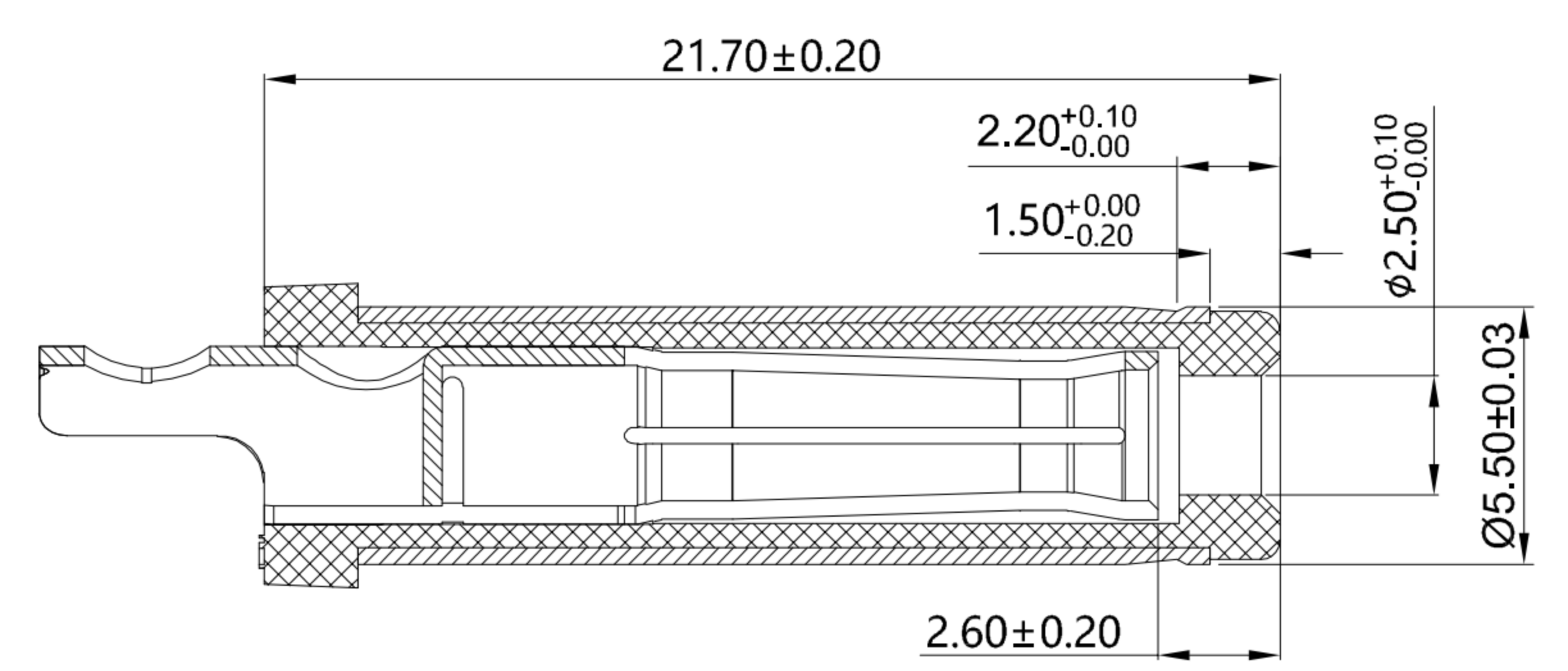
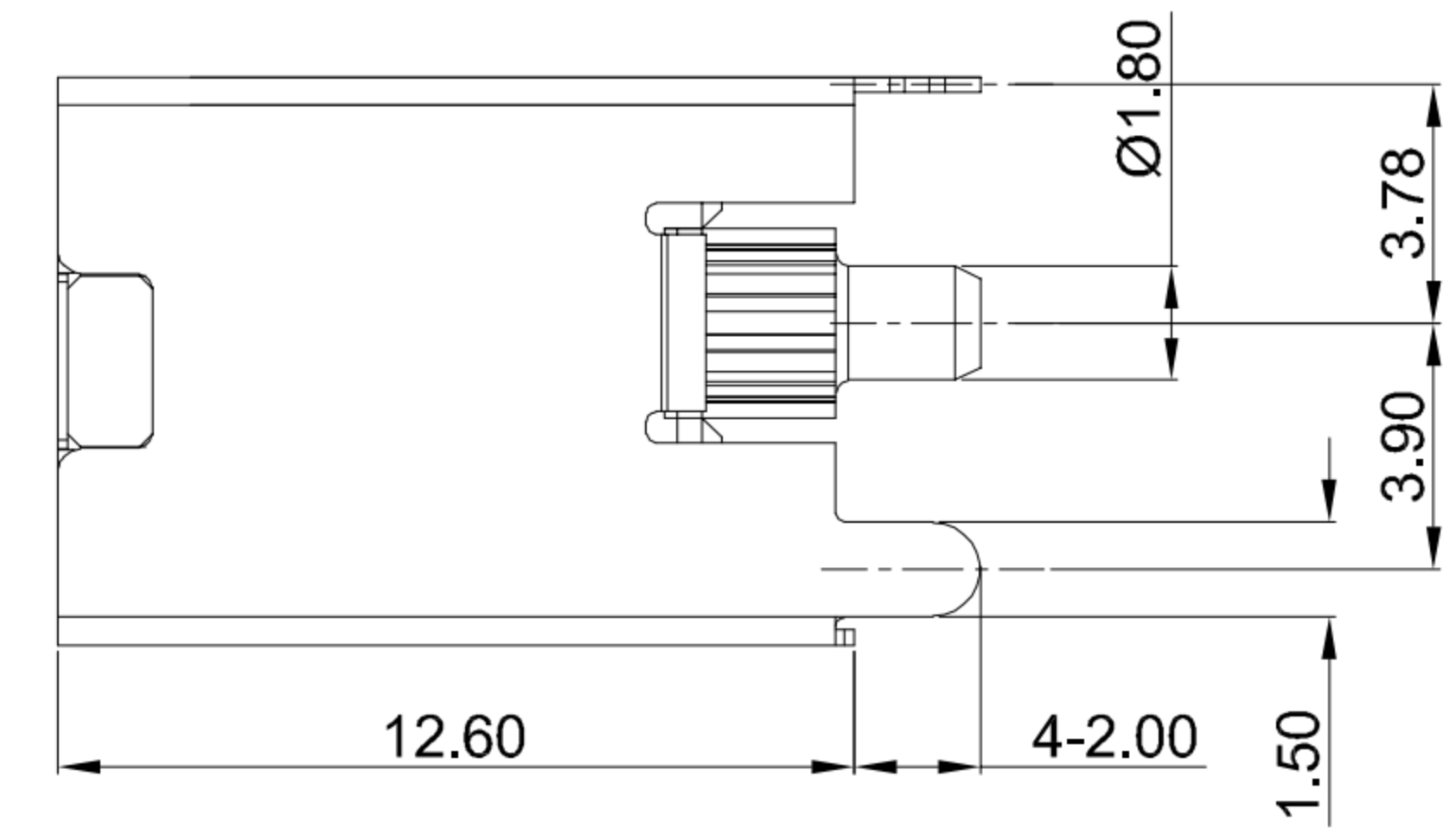
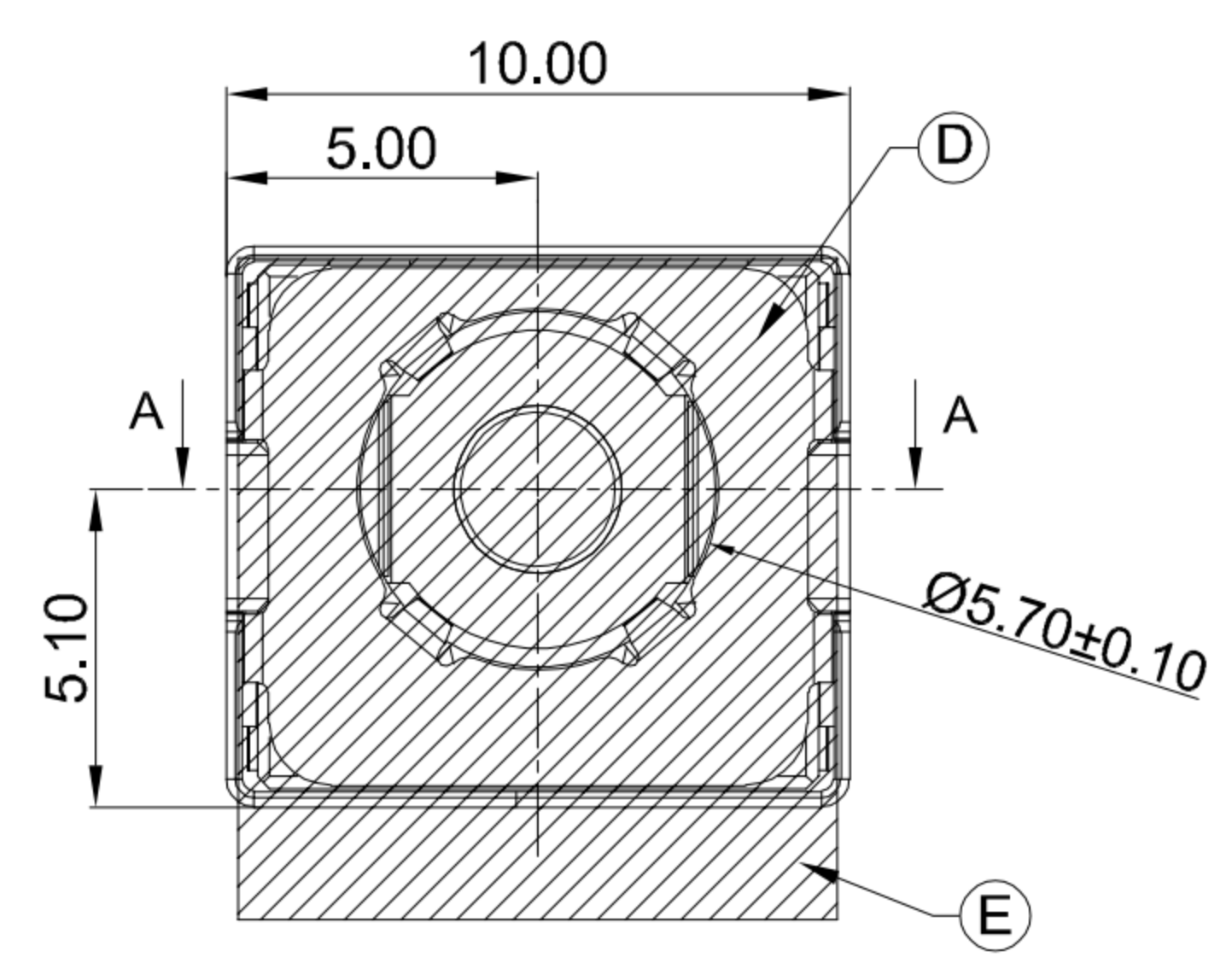
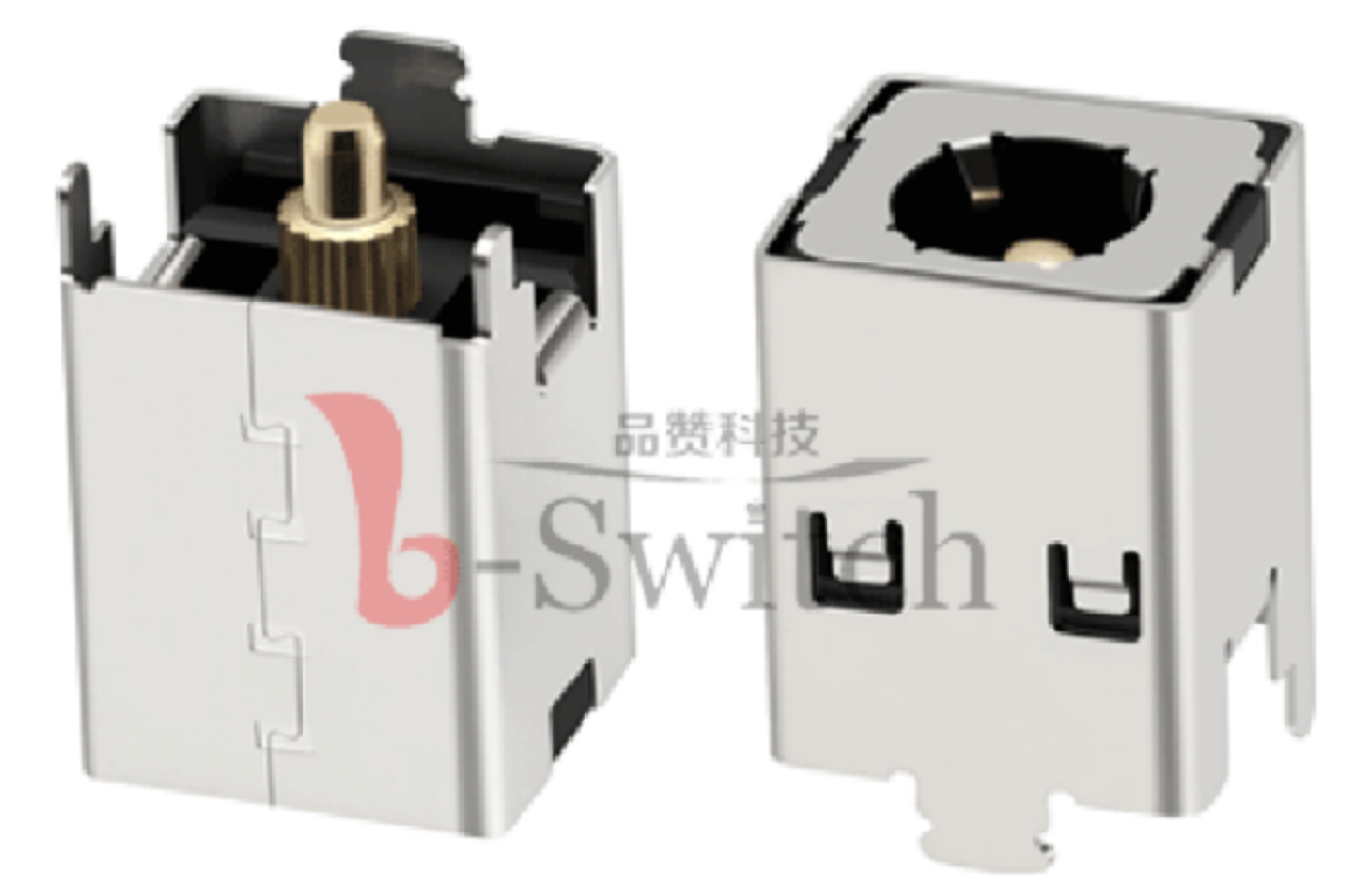
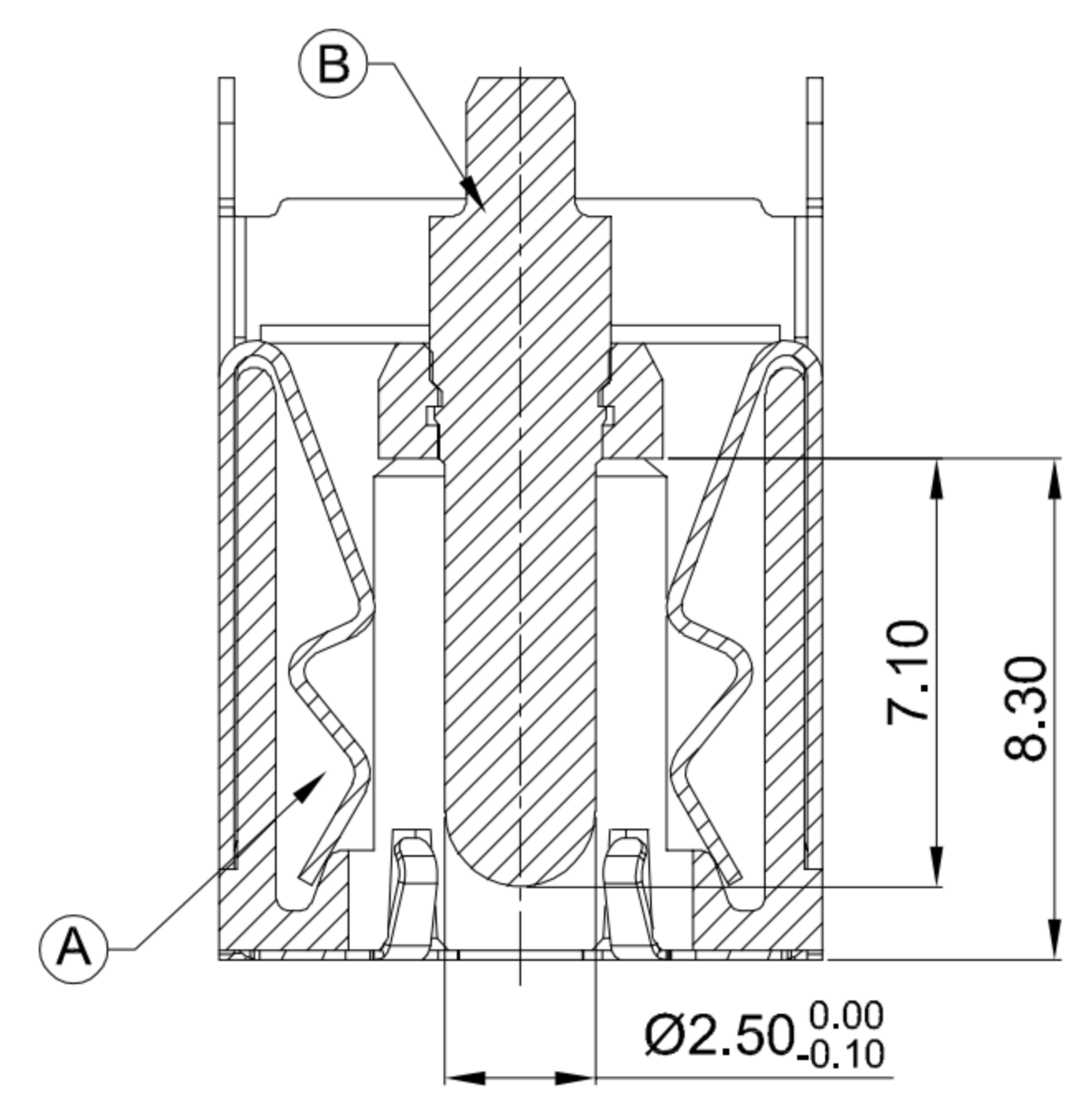


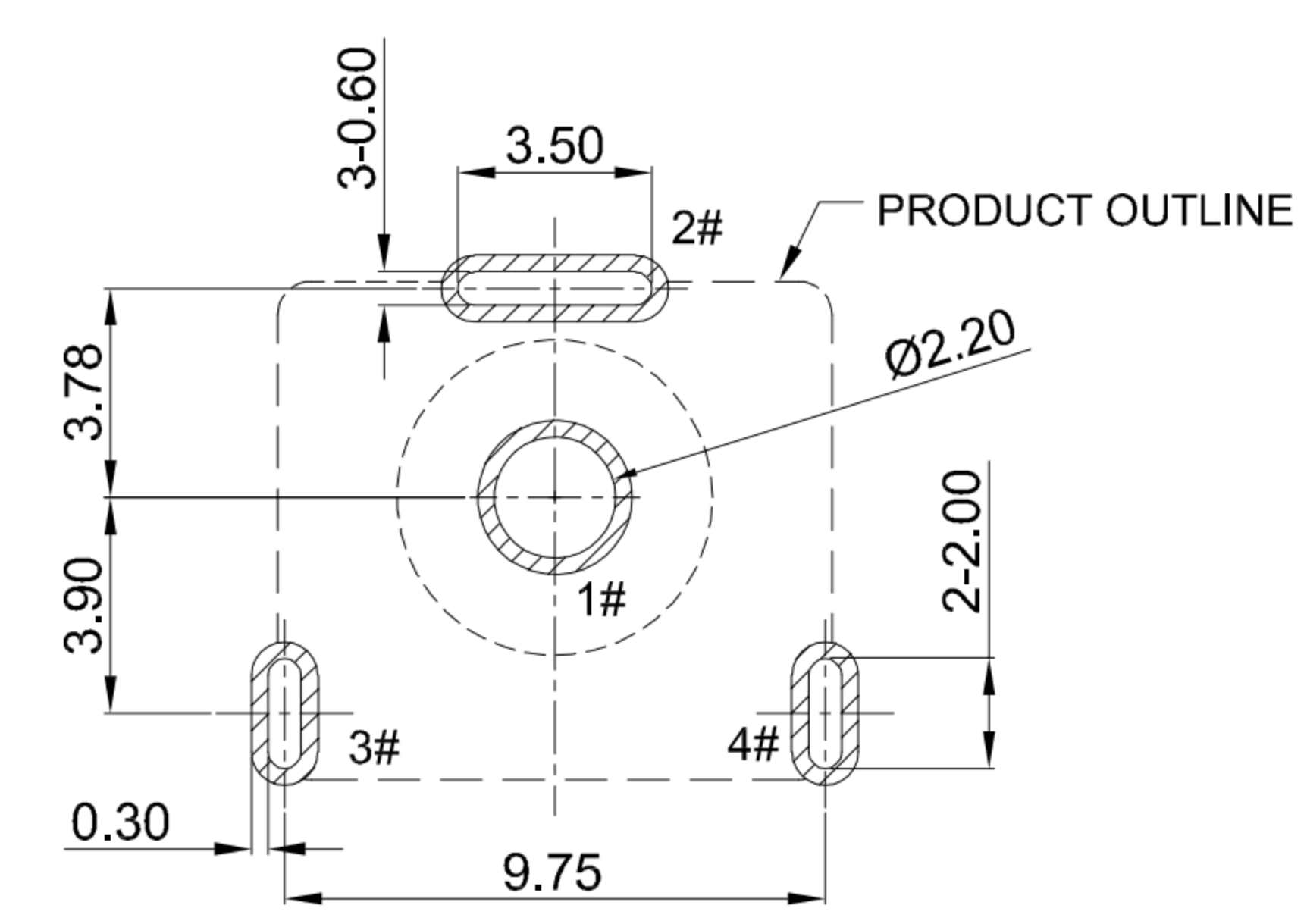
CIRCUIT DIAGRAM



MATING PLUG Ø5.5xØ2.5mm



SECTION A-A



**RECOMMENDED PCB LAYOUT
TOLERANCE:±0.05**

G-Switch Specification:

1. Operating temperature range: -40°C ~ +85°C
2. Rated load: 20A.20V DC
3. Insulation resistance: 100MΩ min
4. Withstand voltage: 500V AC/min
5. Contact resistance: 30mΩ max(Initial), 50mΩ max(Final)
6. Durability cycle: 5000 Cycles
7. Insertion and extraction force: 3-30N

| | | | |
|-----|------------|--------------------------|------------|
| A | HOUSING | HIGH TEMPERATURE PLASTIC | BLACK |
| B | CENTER PIN | BRASS | GOLD FLASH |
| C | SHELL | COPPER ALLOY C5210 | Ni PLATING |
| D | GROUND | SUS 304 | |
| E | MYLAR | | |
| NO. | PART NAME | MATERIAL | REMARK |



| | |
|-------------------------------------|----------|
| SCALE: 1:1 | UNIT: mm |
| SIZE: A4 | |
| Unless otherwise General tolerance: | |
| X | ±0.50 |
| X.x | ±0.30 |
| X.xx | ±0.20 |
| X.xxx | ±0.10 |
| X.x° | ±3° |

| | | | |
|---|---------|----------|------------|
| Title: Vertical DC Power Jack 5525 DIP H=12.6 Ø2.5mm | | | |
| Molde Code: DC-S011C-D025-20A | | | |
| DRAWN | CHECKED | APPROVED | DATE |
| Xia | Chen | Chen | 2023.02.01 |



| | |
|---------|------------|
| REV: A0 | SHEET: 1/1 |
|---------|------------|