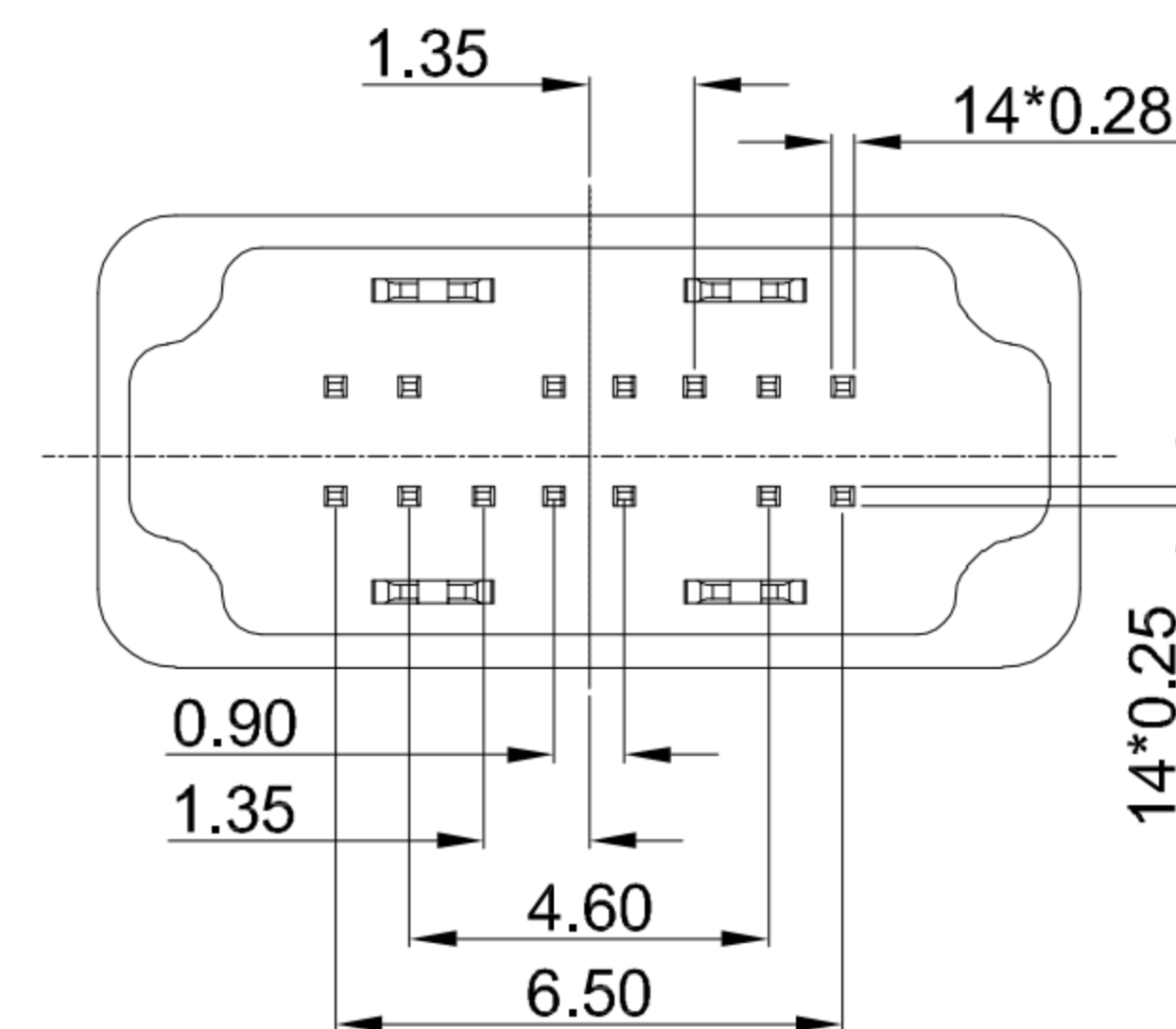
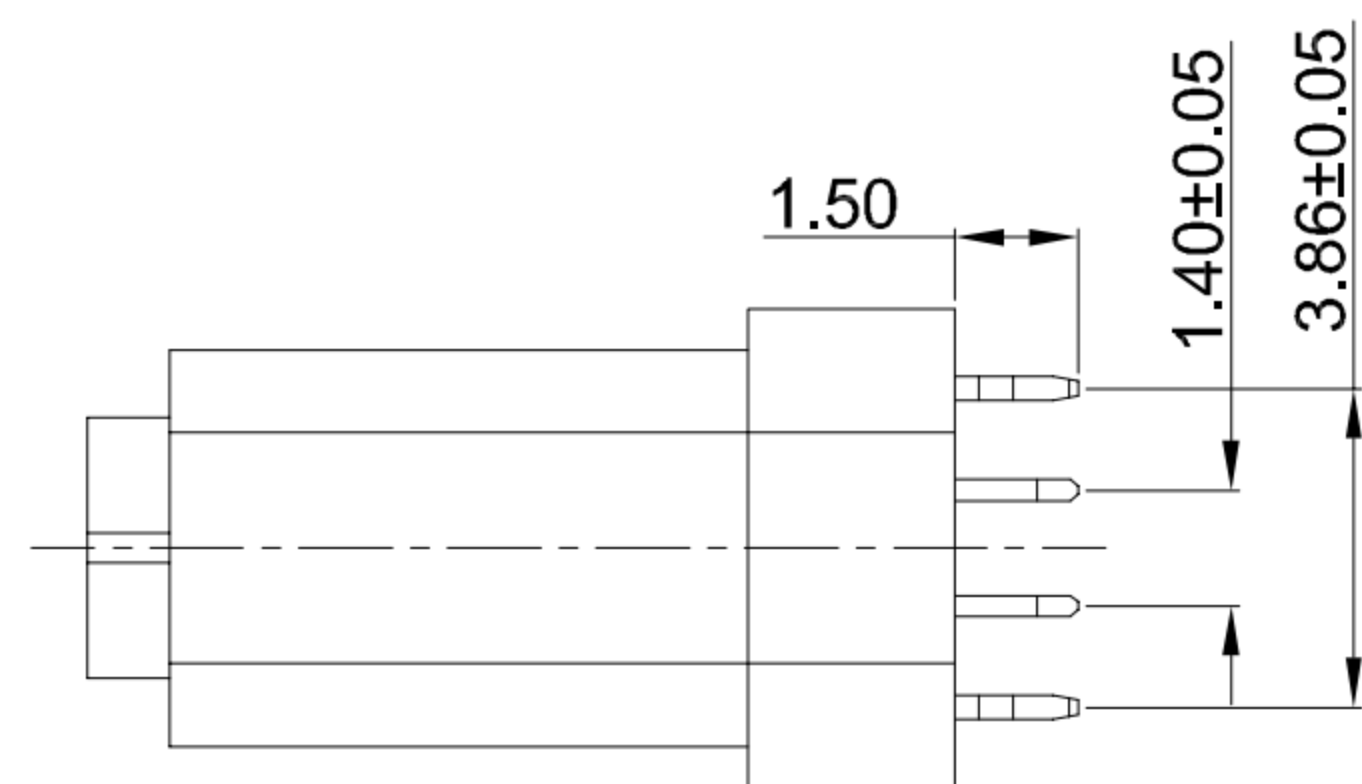
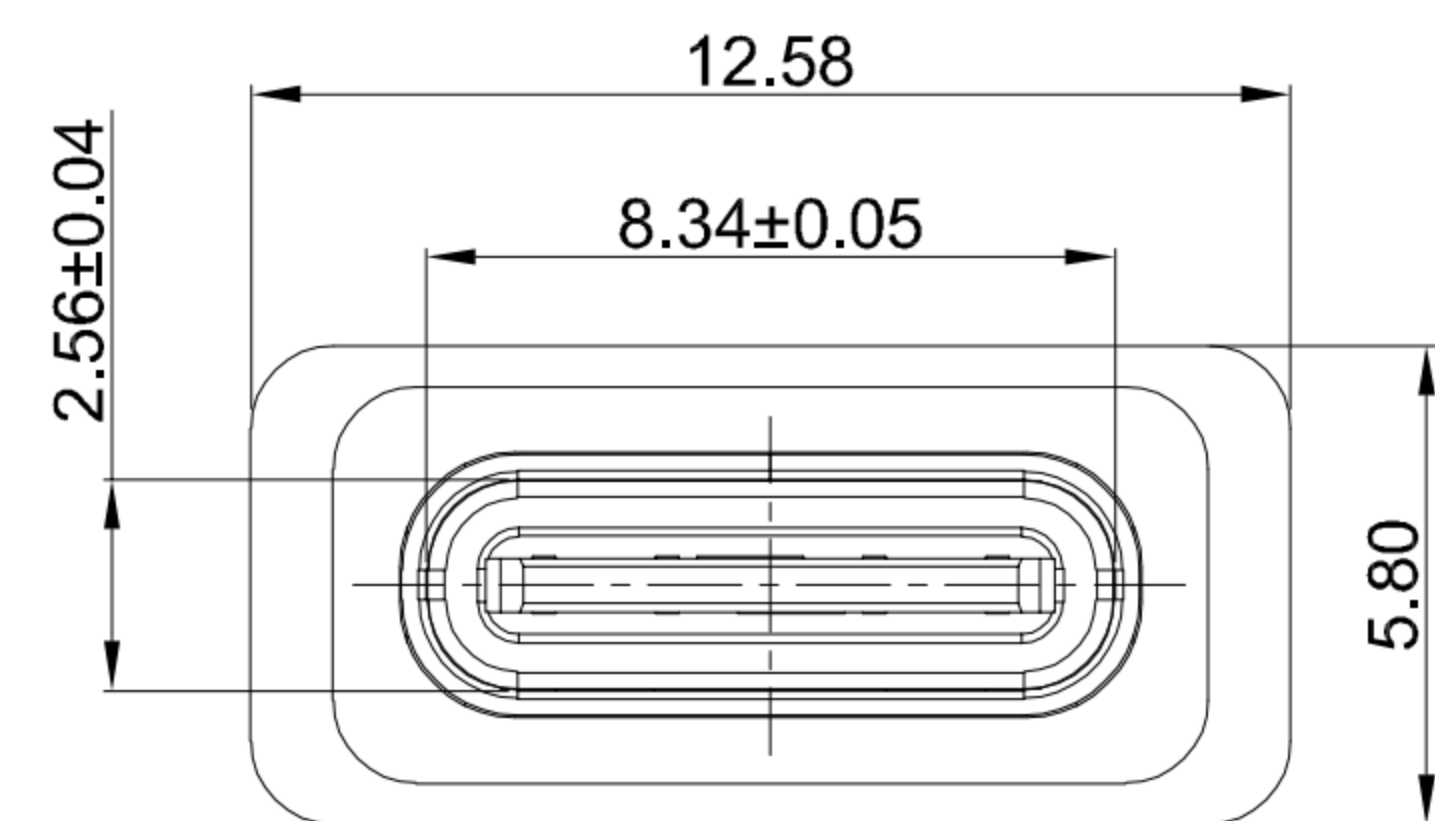
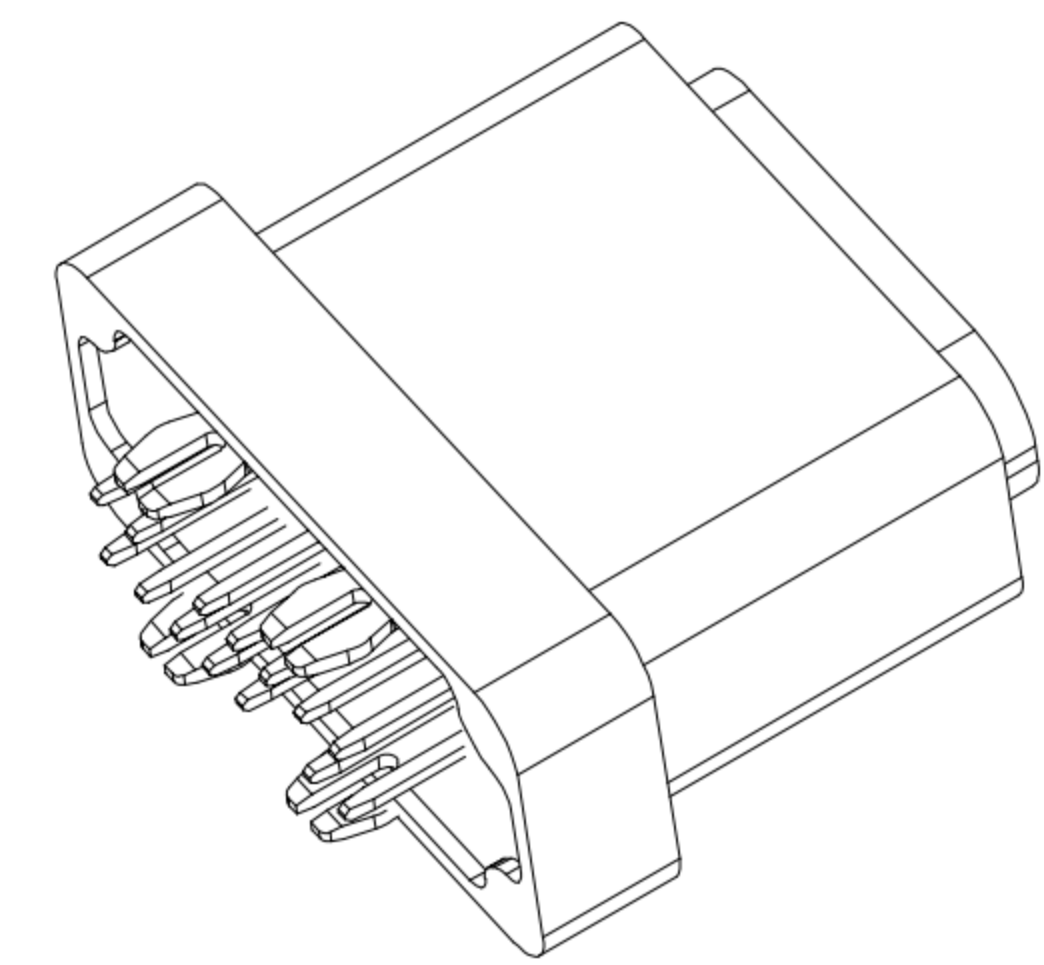
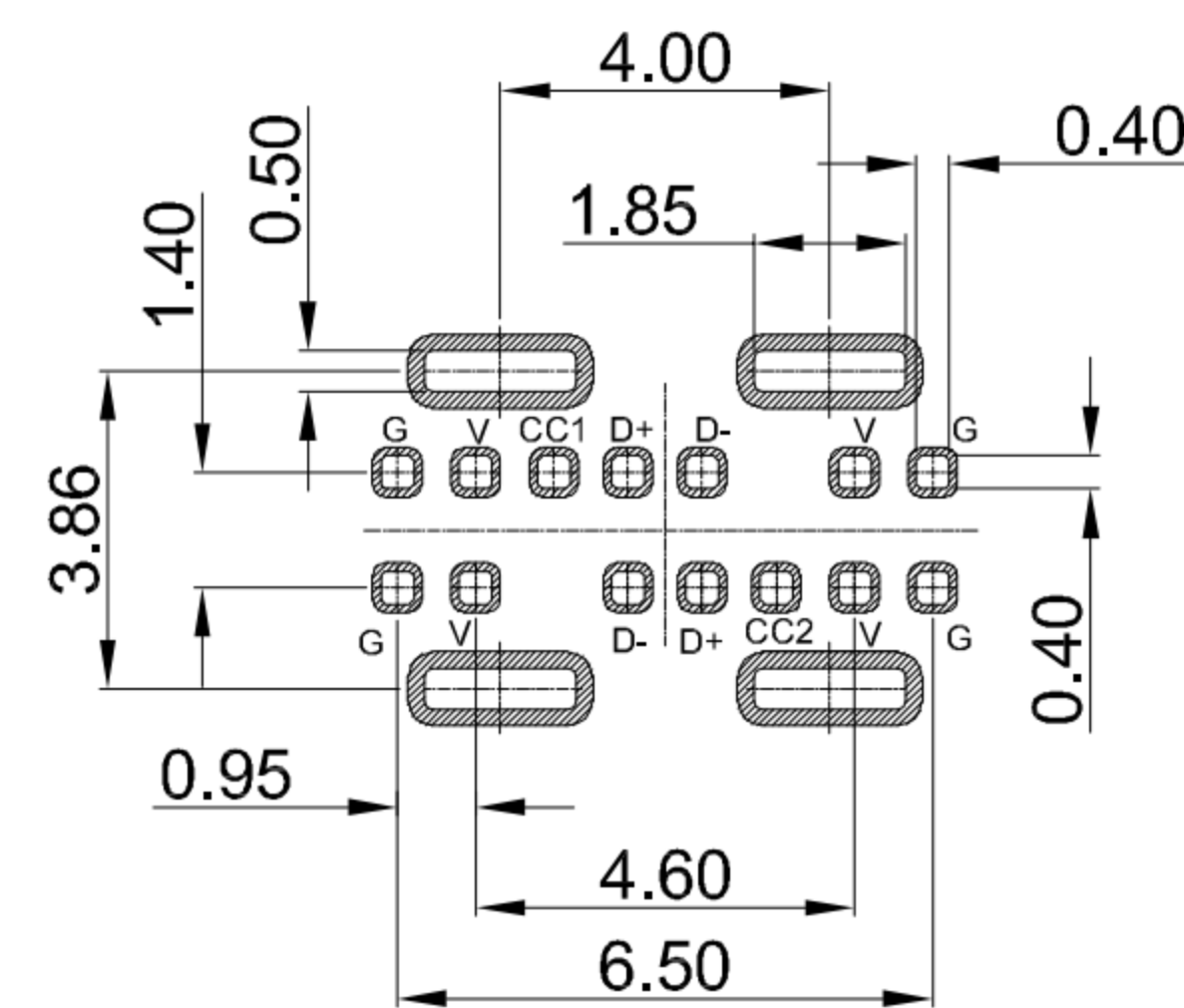
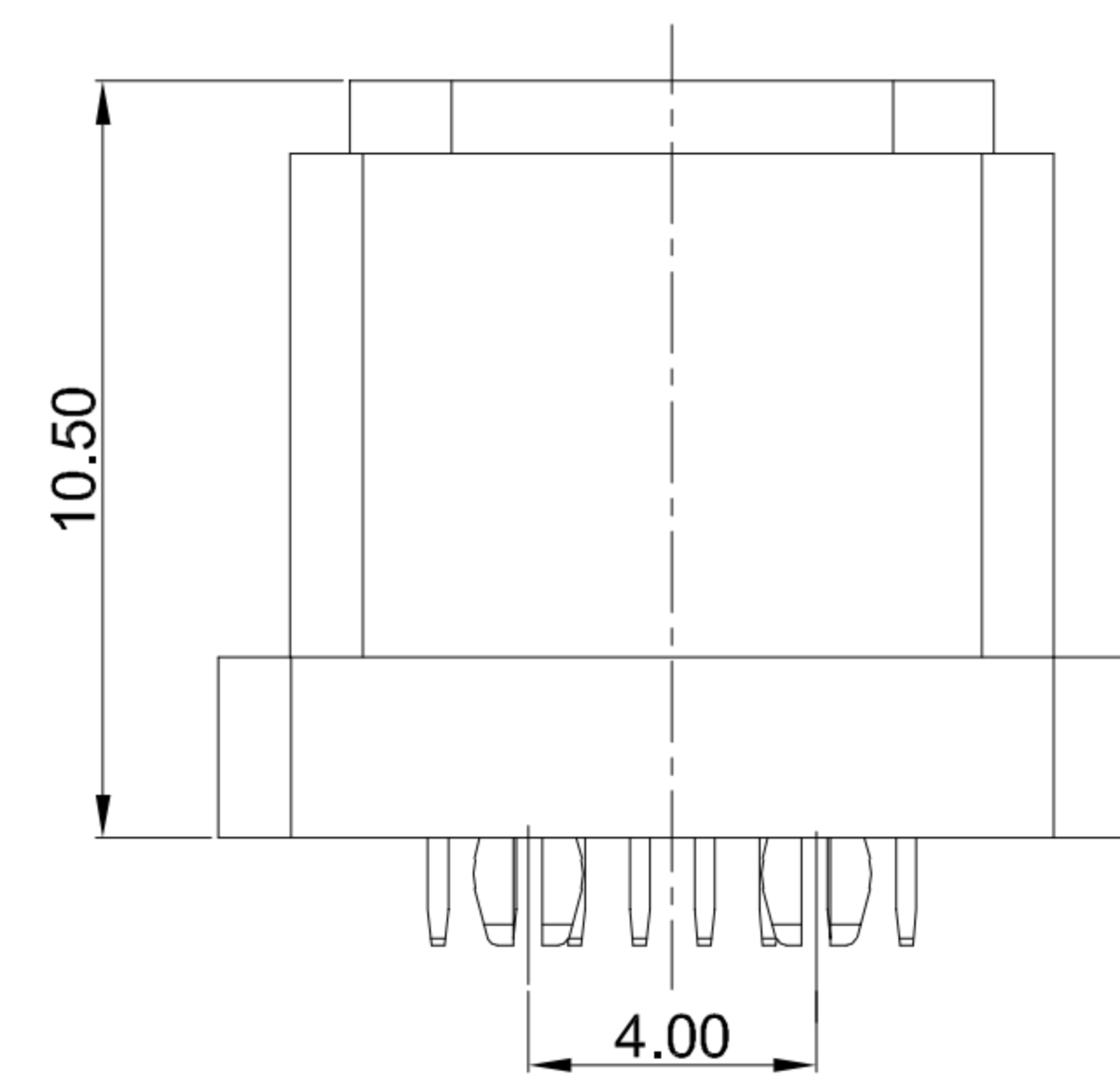


NOTE: THE WATERPROOF RING IS A CIRCULAR CROSS-SECTION WITH A DIAMETER OF 1.0MM SILICONE RING, WATERPROOF RING EXTRUSION AMOUNT, FROM 1.0MM TO 0.4MM~0.5MM, WITH GOOD WATERPROOF EFFECT

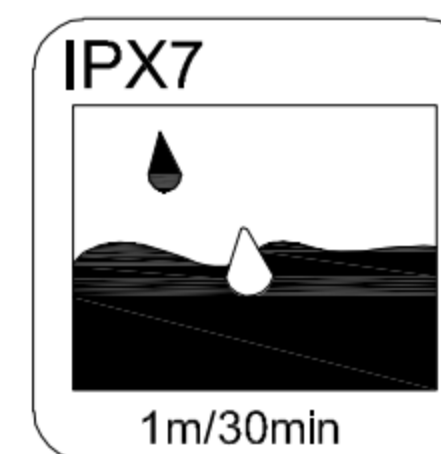


**G-Switch USB-C Specification:**

1. Current rated: 5A on vbus/1.25A on vconn/0.25A on other  
Voltage rating: 24V AC
2. Withstanding voltage: 100V AC/minute
3. Contact resistance: 40mΩ Max
4. Insulation resistance: 100MΩ Min
5. Operating temperature: -40°C ~ +85°C
6. Mating force: 5N~20N
7. Unmating force: 8N~20N
8. Durability cycle: 10,000 cycles
9. Waterproof grade: IP-X7.



RECOMMENDED PCB LAYOUT TOLERANCE: ±0.05



A1	A2	A3	A4	A5	A6	A7	A8	A9	A10	A11	A12
GND			VBUS	CC1	D+	D-		VBUS			GND
First			First	Second	Second	Second		First			First
B12	B11	B10	B9	B8	B7	B6	B5	B4	B3	B2	B1
GND			VBUS		D-	D+	CC2	VBUS			GND
First			First		Second	Second	Second	First			First

1	OUT SHELL	HIGH TEMPERATURE PLASTIC	BLACK UL 94 V-0
2	SHELL	STAINLESS STEEL	Ni PLATED
3	Middle Plate	STAINLESS STEEL	--
4	HOUSING	HIGH TEMPERATURE PLASTIC	BLACK UL 94 V-0
5	TERMINALS	COPPER ALLOY	Au PLATING ON CONTACT AREA
6	WATERPROOF RING	SILICONE	BLACK UL 94 V-0
NO.	PARTS	MATERIAL	REMARKS



SCALE: 1:1 UNIT: mm  
 SIZE: A4

Unless otherwise General Tolerance:  
 X. ±0.50  
 X.x ±0.30  
 X.xx ±0.10  
 X.xxx ±0.05  
 X° ±3°

Title: Vertical Type-c 14P Female DIP H=10.5mm

Molde Code: GT-USB-7069A

DRAWN	CHECKED	APPROVED	DATE
Xia	Chen	Chen	2023.02.01



REV: A0 SHEET: 1/1