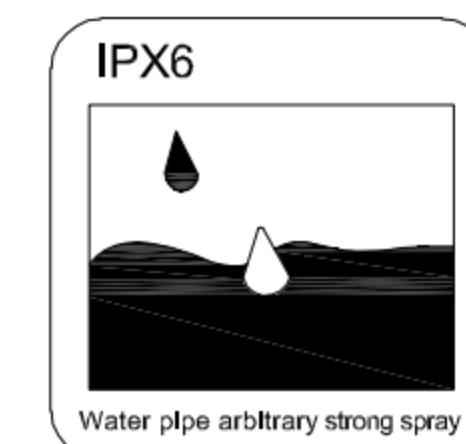
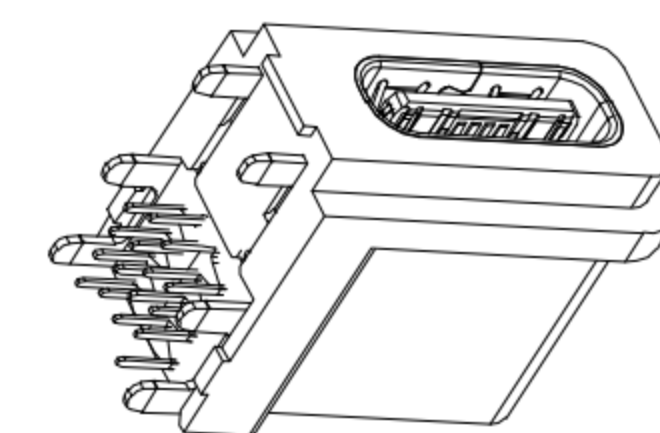
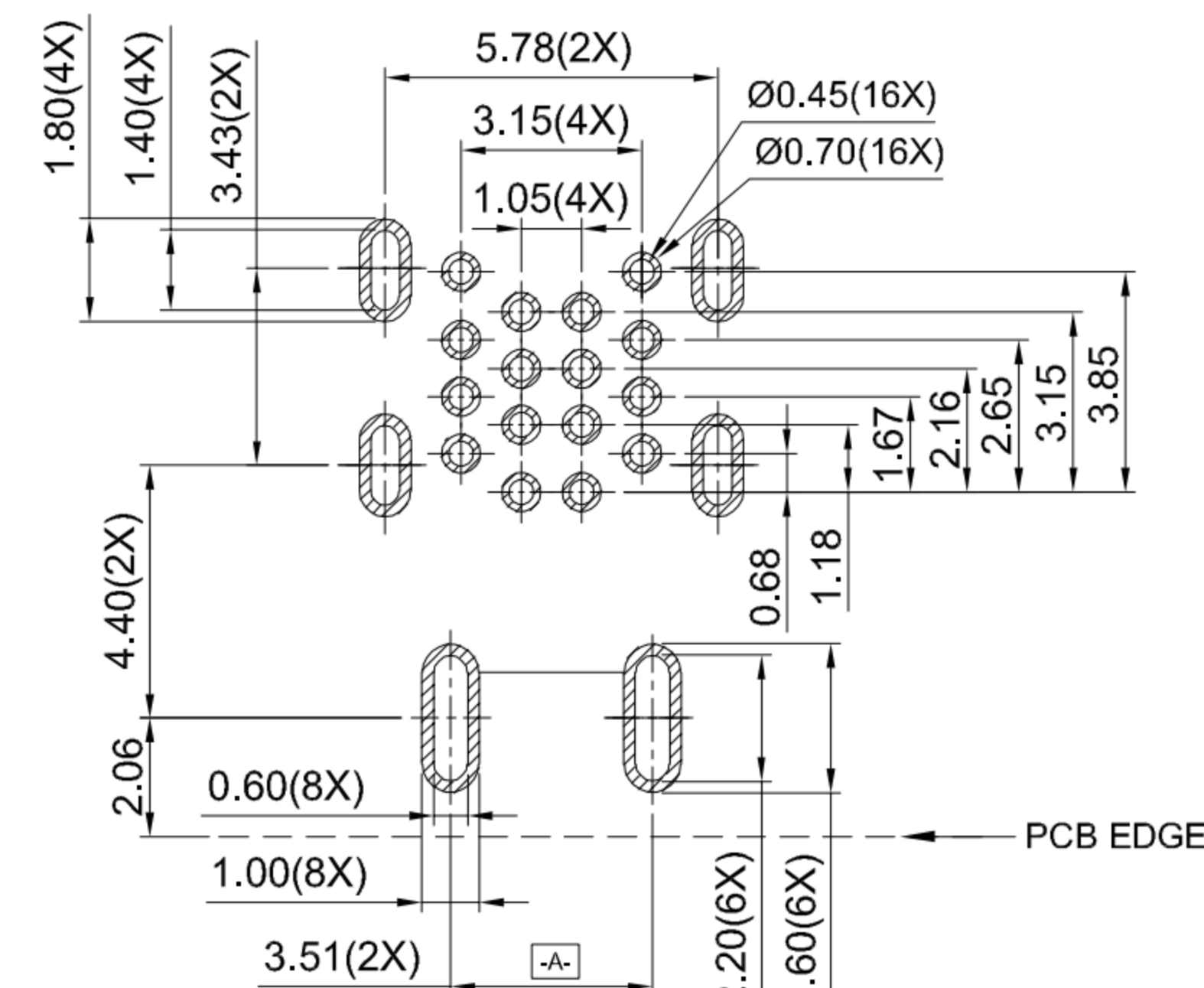
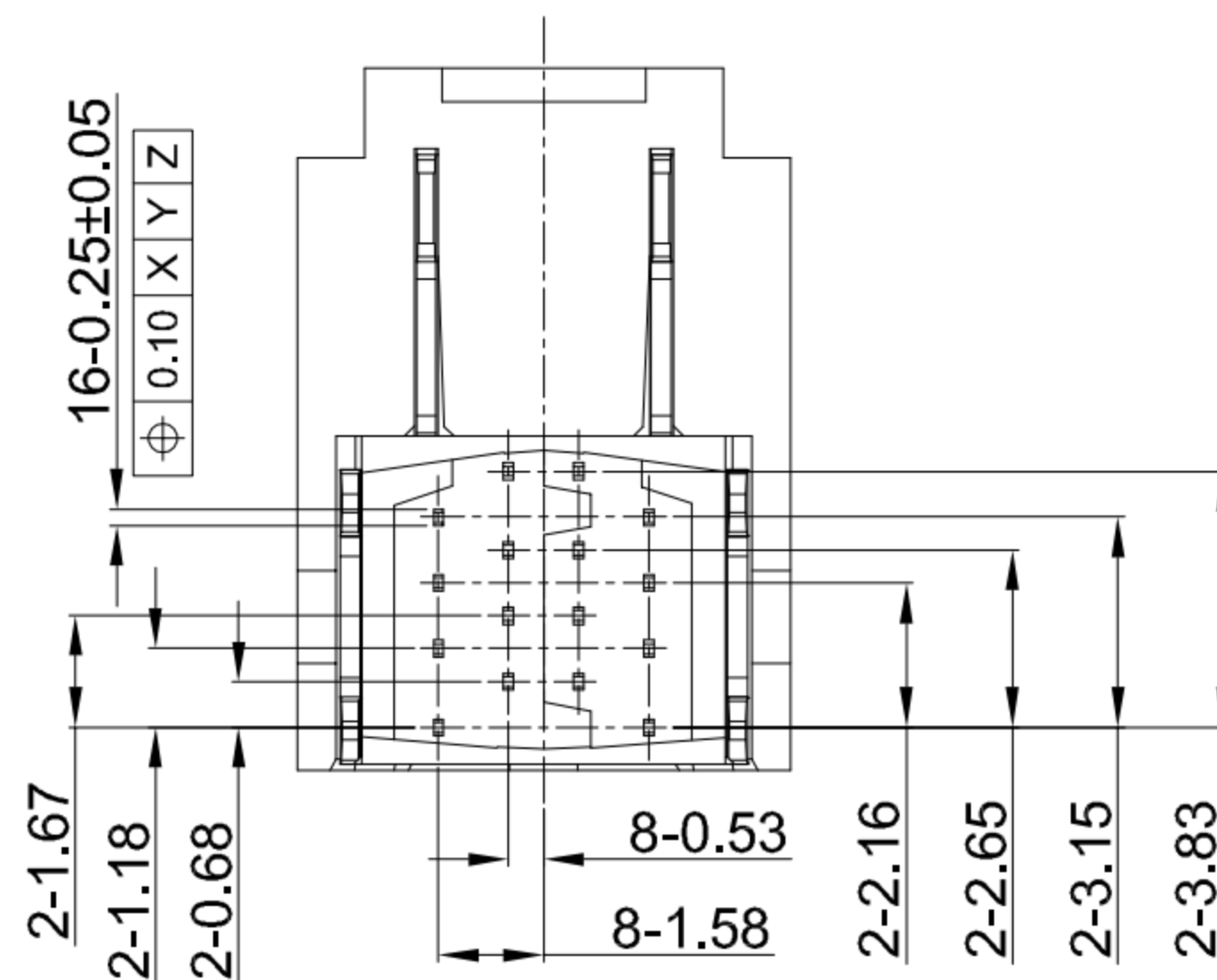


G-Switch USB-C Specification:

- 1.Current rated: 5A on vbus/1.25A on vconn/0.25A on other
- 2.Withstanding voltage: 24V AC
- 3.Contact resistance: 40mΩ Max
- 4.Insulation resistance: 100MΩ Min
- 5.Operating temperature: -40°C ~ +85°C
- 6.Mating force: 5N~20N
- 7.Unmating force: 8N~20N
- 8.Durability cycle:10,000 cycles
- 9.Waterproof grade: IP-X6



A1	A2	A3	A4	A5	A6	A7	A8	A9	A10	A11	A12
GND			VBUS	CC1	D+	D-	SBU1	VBUS			GND
First			First	Second	Second	Second	Second	First			First

B12	B11	B10	B9	B8	B7	B6	B5	B4	B3	B2	B1
GND			VBUS	SBU2	D-	D+	CC2	VBUS			GND
First			First	Second	Second	Second	Second	First			First

1	SHEATH	HIGH TEMPERATURE PLASTIC	BLACK UL 94 V-0
2	OUT-SHELL	STAINLESS STEEL	SUS304 Ni PLATED
3	INNER SHELL	STAINLESS STEEL	SUS304 Ni PLATED
4	MID PLATE	STAINLESS STEEL	SUS301 Ni PLATED
5	HOUSING	HIGH TEMPERATURE PLASTIC	BLACK UL 94 V-0
6	TERMINALS	COPPER ALLOY(C7025)	Au PLATING ON CONTACT AREA
NO.	PARTS	MATERIAL	REMARKS

RECOMMENDED PCB LAYOUT
TOLERANCE:±0.05

Pb Process Capable

RoHS Compliant
EU RoHS Standards

HALOGEN Compliant
Halogen Free

SCALE: 1:1	UNIT: mm	Title: Horizontal Type-c 16P Female DIP Flag CH=7.0 L=10.5mm	
SIZE: A4		Molde Code: GT-USB-7080A	
Unless otherwise General Tolerance:		DRAWN	CHECKED
X.x	±030	APPROVED	DATE
X.xx	±0.20	Xia	Chen
X.xxx	±0.10	Chen	2023.02.01
X°	±5°		



REV: A0 SHEET: 1/1