

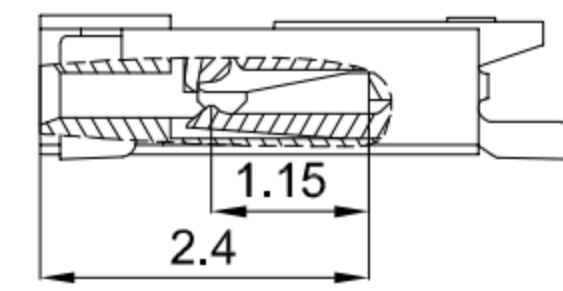
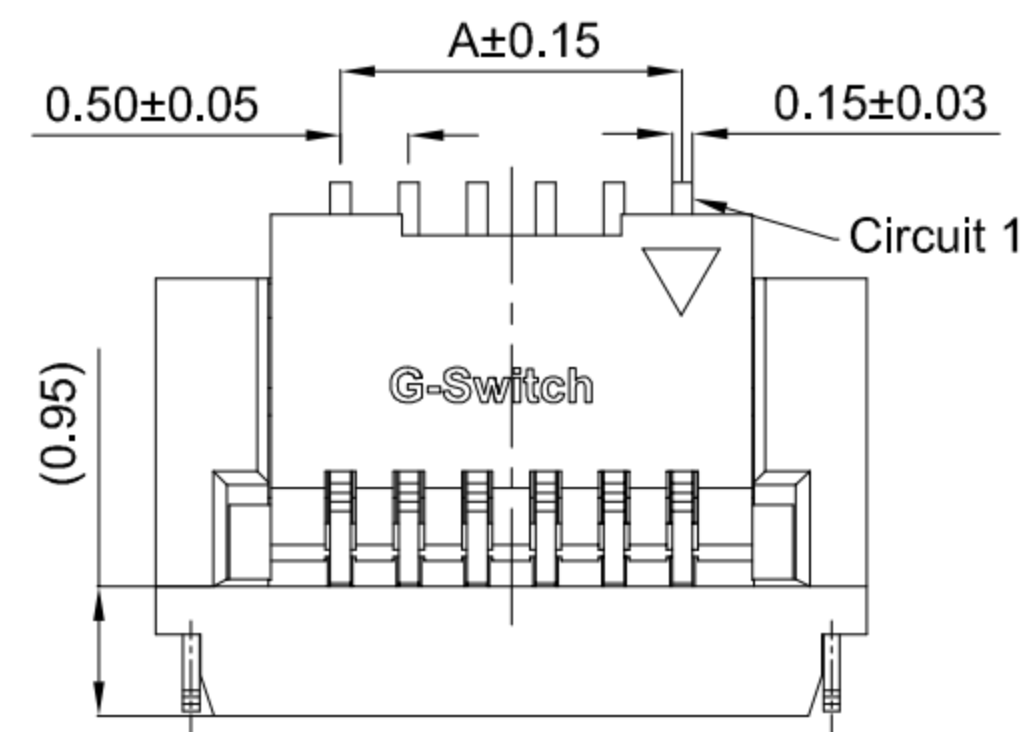
A

B

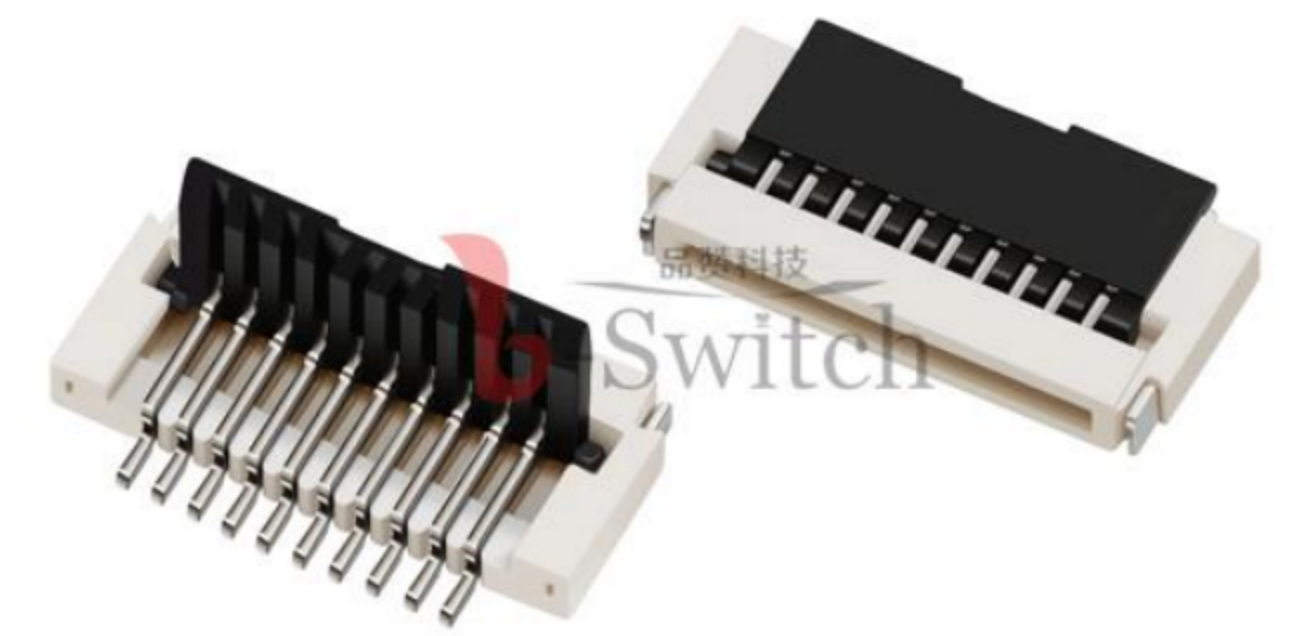
C

D

E



SECTION: A-A



GT-F0513 S R 10 -XX X XX 01

G-Switch

Series No

Termipoint
S-SMT

Angle
R-90°

Terminal Plating
01-G/F

Housing Colour
S-Nature

Pin Q' PY
04~10

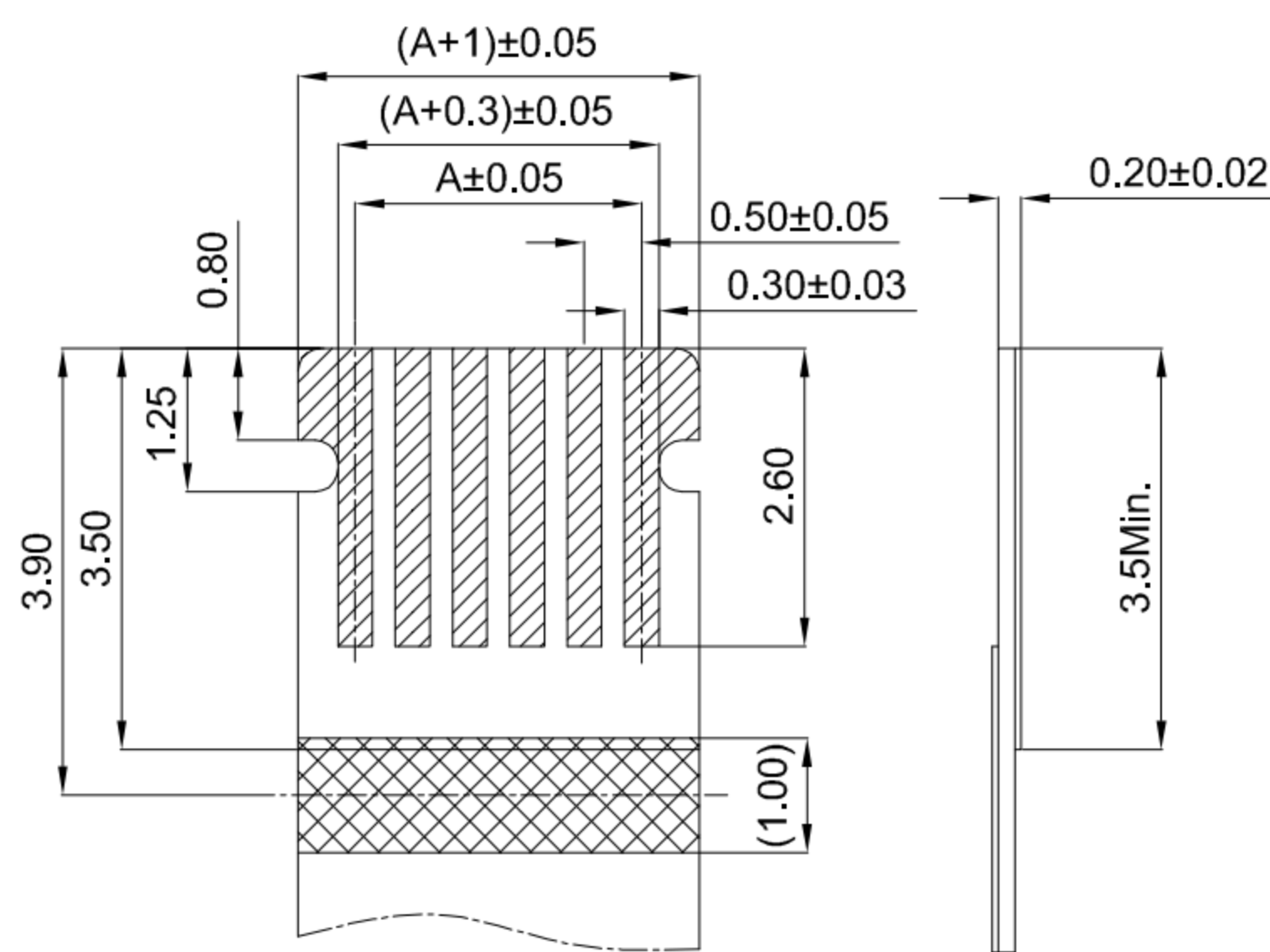
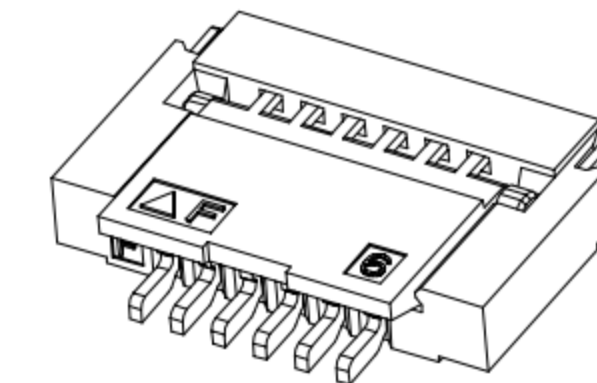
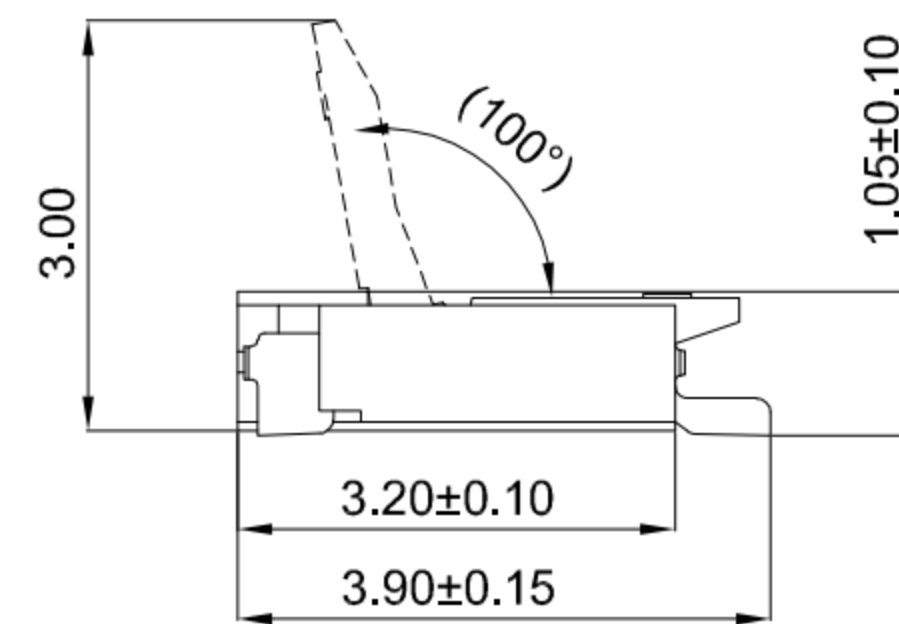
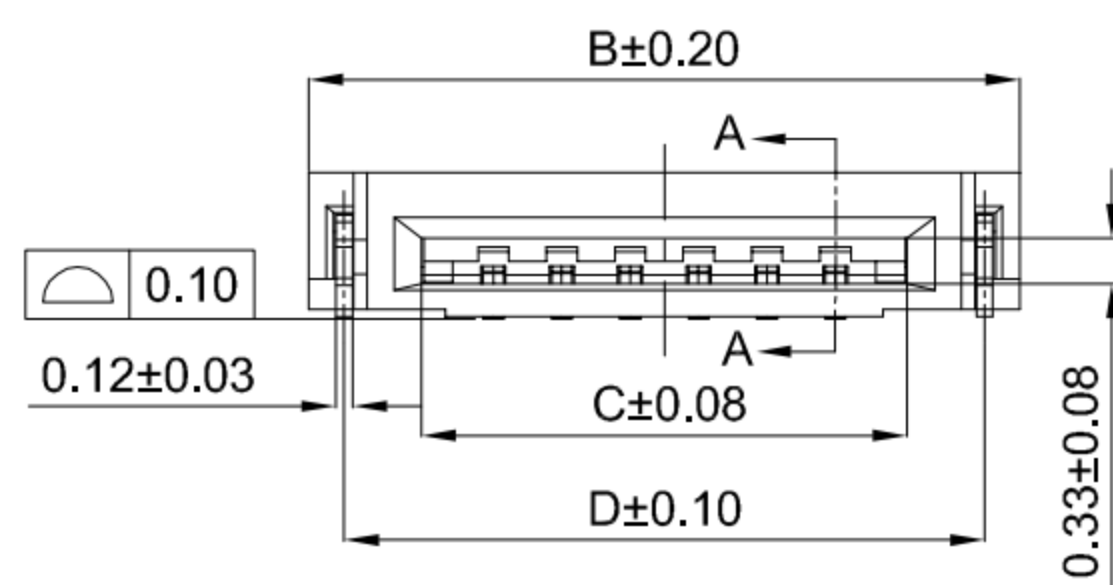
Height
10-1.05mm

G-Switch Specification:

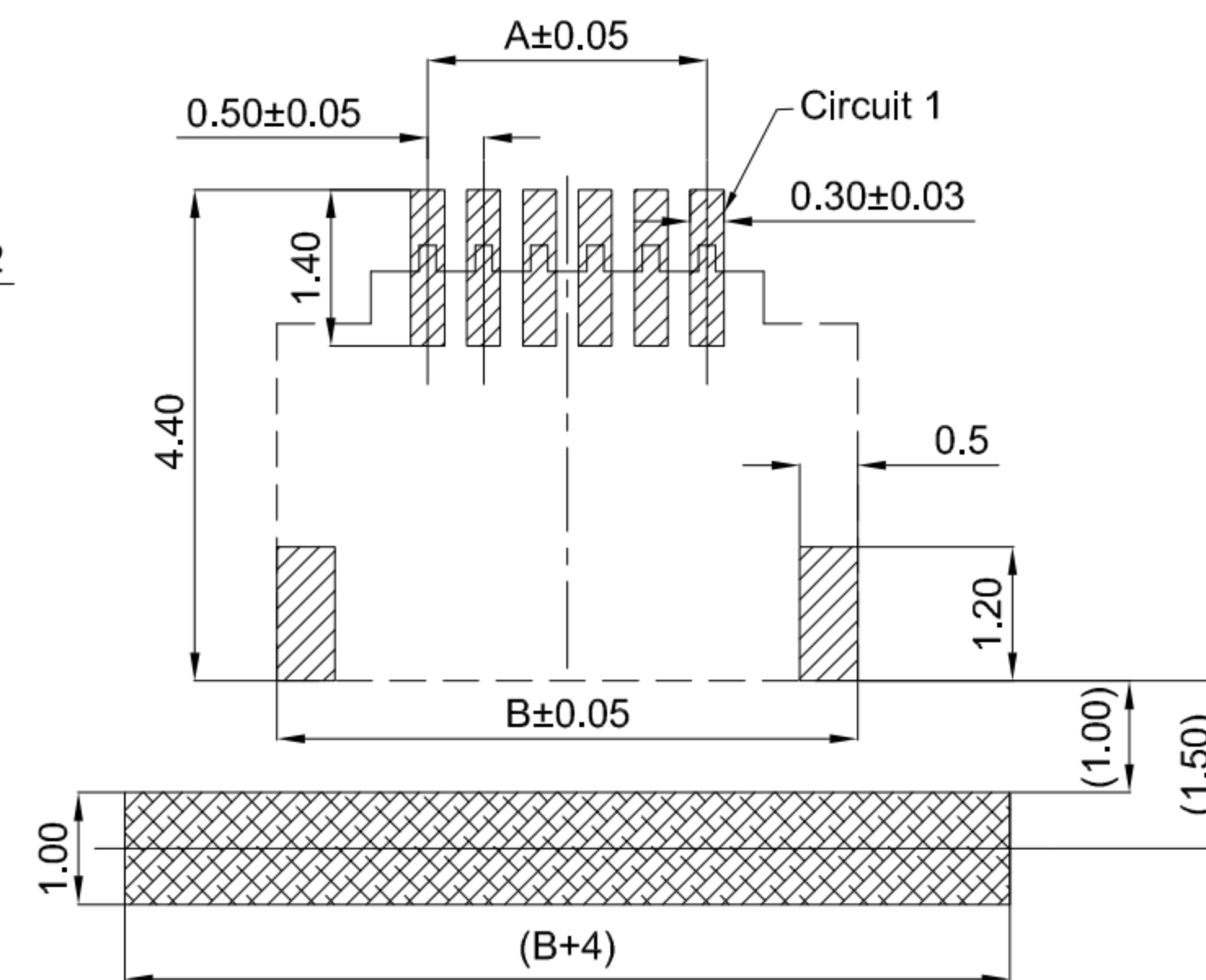
1. Current rated: 0.5A AC/DC
2. Voltage rating: 50V AC/DC
3. Withstanding voltage: 250V AC
4. Contact resistance: 30mΩ max.
5. Insulation resistance: 100MΩ min
6. Durability cycle: 20Cycles
7. Removal force: 0.03kgf/Pin min
8. Operating temperature range: -25°C ~ +85°C

Ordering Information:

Circuit	Dimensions(mm)			
	A	B	C	D
4	1.50	4.20	2.55	3.68
6	2.50	5.20	3.55	4.68
10	4.50	7.20	5.55	6.68



APPLICABLE FPC



RECOMMENDED PCB LAYOUT
TOLERANCE: ±0.05

4	SOLDER TABS	PHOSPHOR BRONZE	MATTE Tin
3	CONTACT	PHOSPHOR BRONZE	Gold-Flash On Contact Area
2	COVER	PA4T,94V-0	BLACK
1	HOUSING	LCP,94V-0	NATURE
NO.	PART NAME	MATERIAL	REMARK



SCALE: 1:1 UNIT: mm

SIZE: A4

Unless otherwise
General Tolerance:

X ±0.40
X.x ±0.30
X.xx ±0.20
X* ±5°
X.x° ±3°

Title: FPC 0.50mm Pitch 90° H1.00mm
SMT Type Connector

Molde Code: GT-F0513SR10-XXXXX01

DRAWN	CHECKED	APPROVED	DATE
Jiang	Hu	Chen	2021.06.28



REV: A0 SHEET: 1/1

A

B

C

D

E