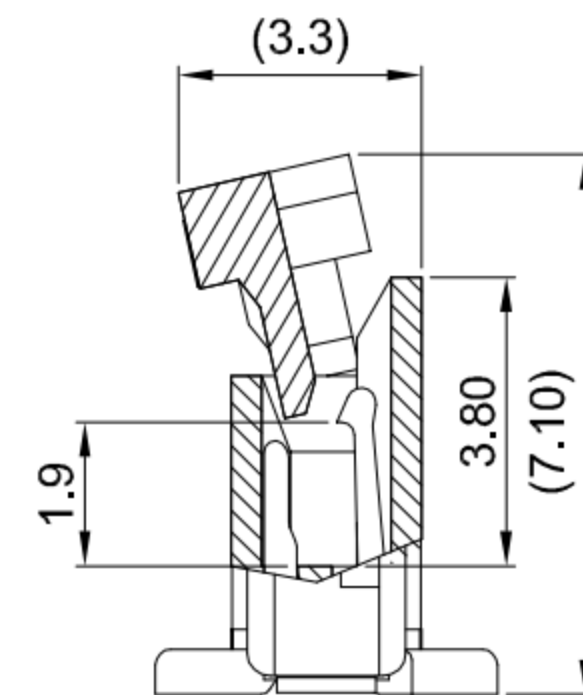
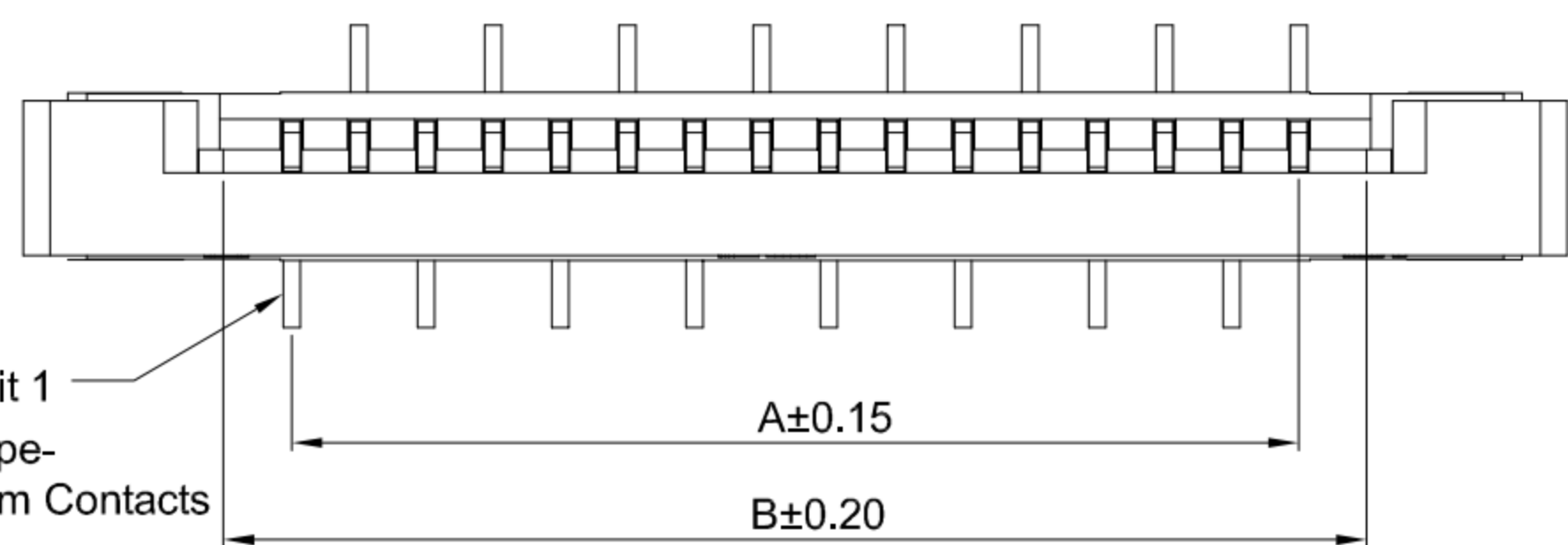


Circuit 1
A Type-
Bottom Contacts

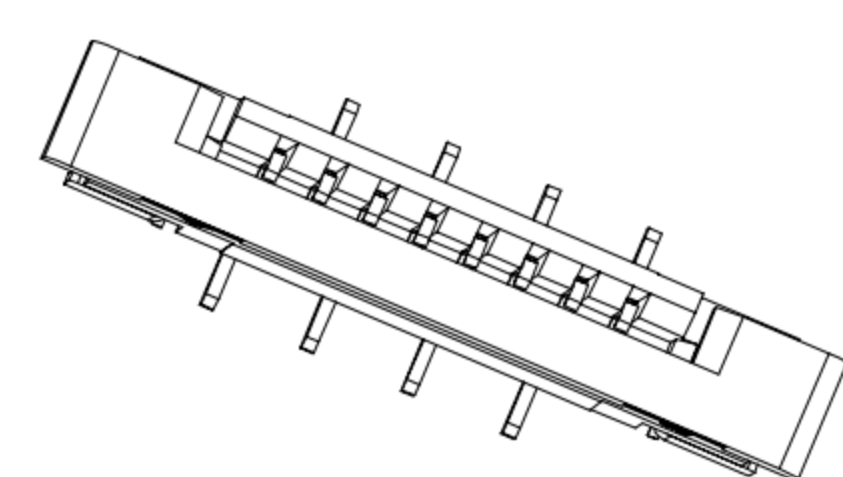
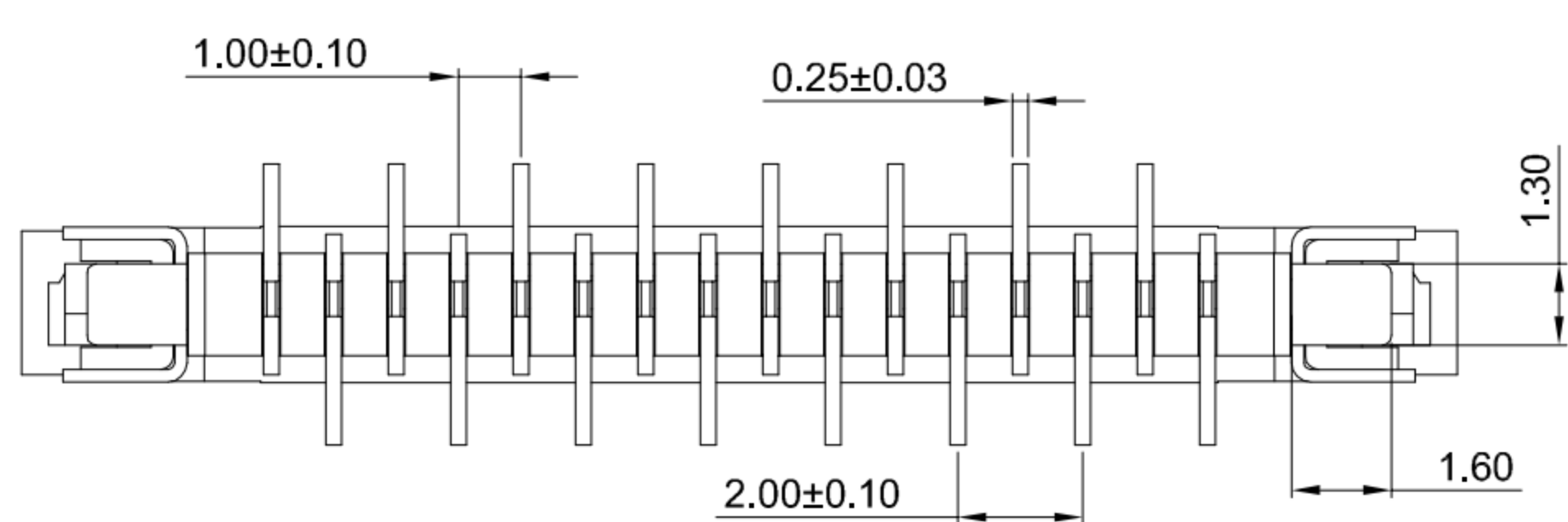
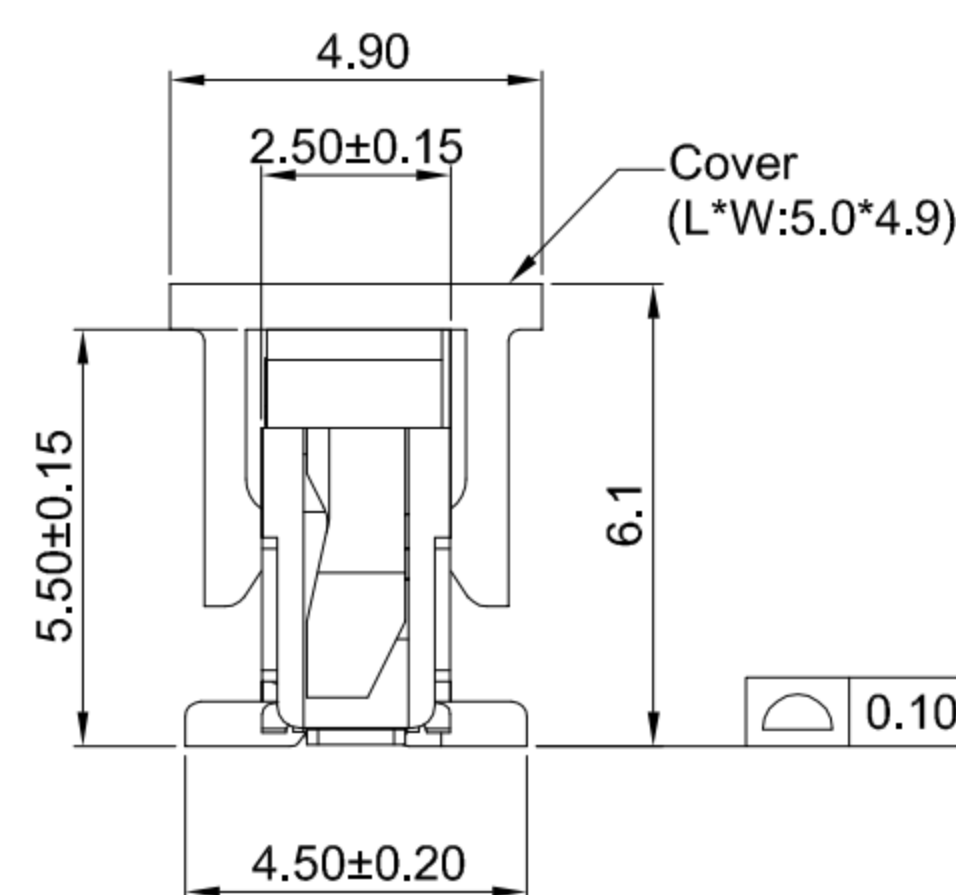
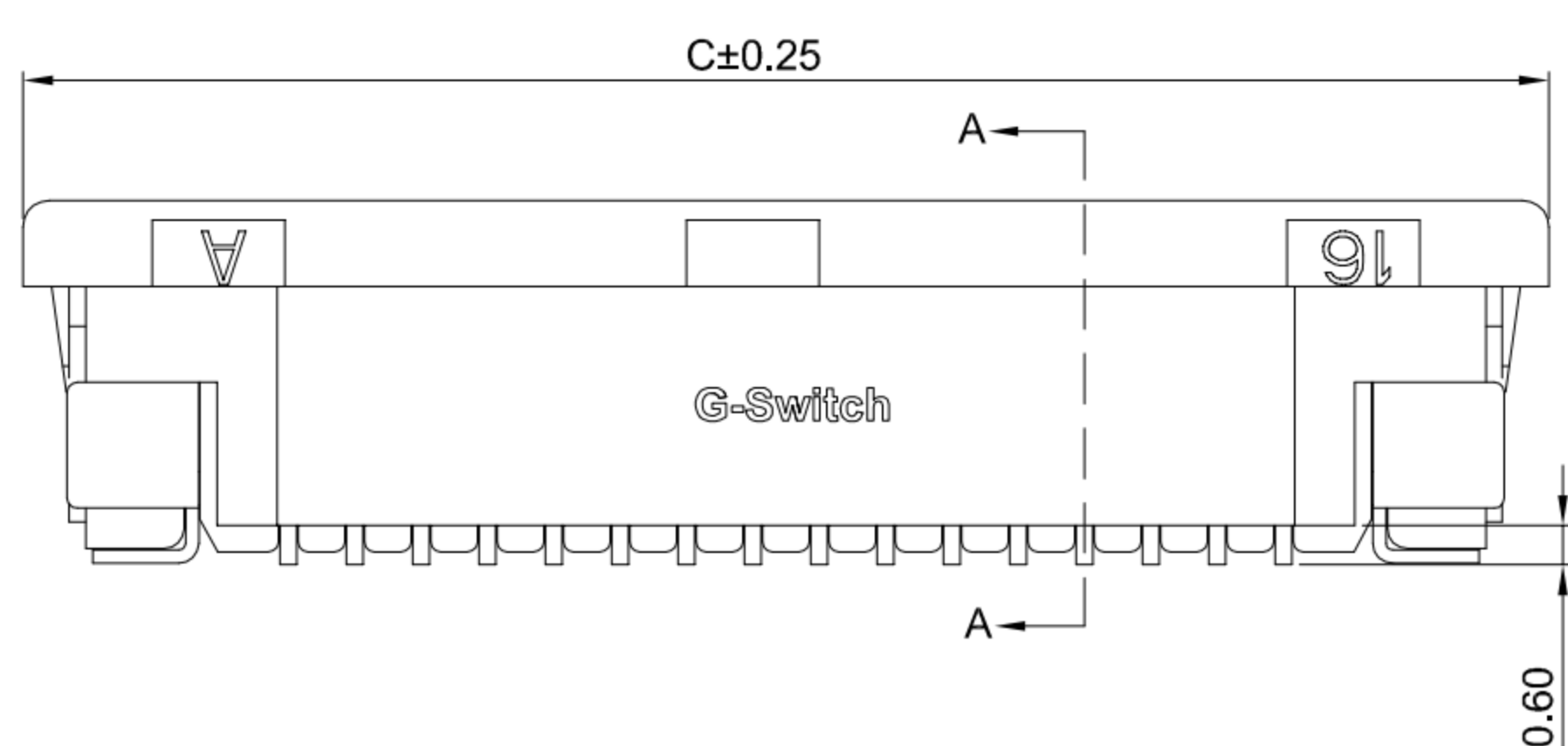


SECTION:A-A



GT-F1001 S V 55 -XX X XX 01

- G-Switch**
- Series No**
- Termipoint**
S-SMT
- Angle**
V-180°
- Height**
55-5.50mm
- Contact**
01-A Type
(Bottom Contacts)
02-B Type
(Top Contacts)
- Terminal Plating**
11-All G/F
MT-Matte Tin
BT-Bright Tin
- Housing Colour**
S-Nature
- Pin Q' PY**
04~40



- G-Switch Specification:**
- Current rated: 0.5A AC/DC
 - Voltage rating: 50V AC/DC
 - Withstanding voltage: 250V AC
 - Contact resistance: 30mΩ max.
 - Insulation resistance: 500MΩ min
 - Durability cycle: 20Cycles
 - Removal force: 0.03kgf/Pin min
 - Operating temperature range: -25°C ~ +85°C

4	SOLDER TABS	BRASS	BRIGHT Tin
3	CONTACT	BRASS	ALL Au G/F OR BRIGHT Tin
2	COVER	LCP,94V-0	BLACK
1	HOUSING	LCP,94V-0	NATURE
NO.	PART NAME	MATERIAL	REMARK



SCALE: 1:1	UNIT: mm
SIZE: A4	
Unless otherwise General Tolerance:	
X	±0.40
X.x	±0.30
X.xx	±0.20
X*	±5°
X.x°	±3°

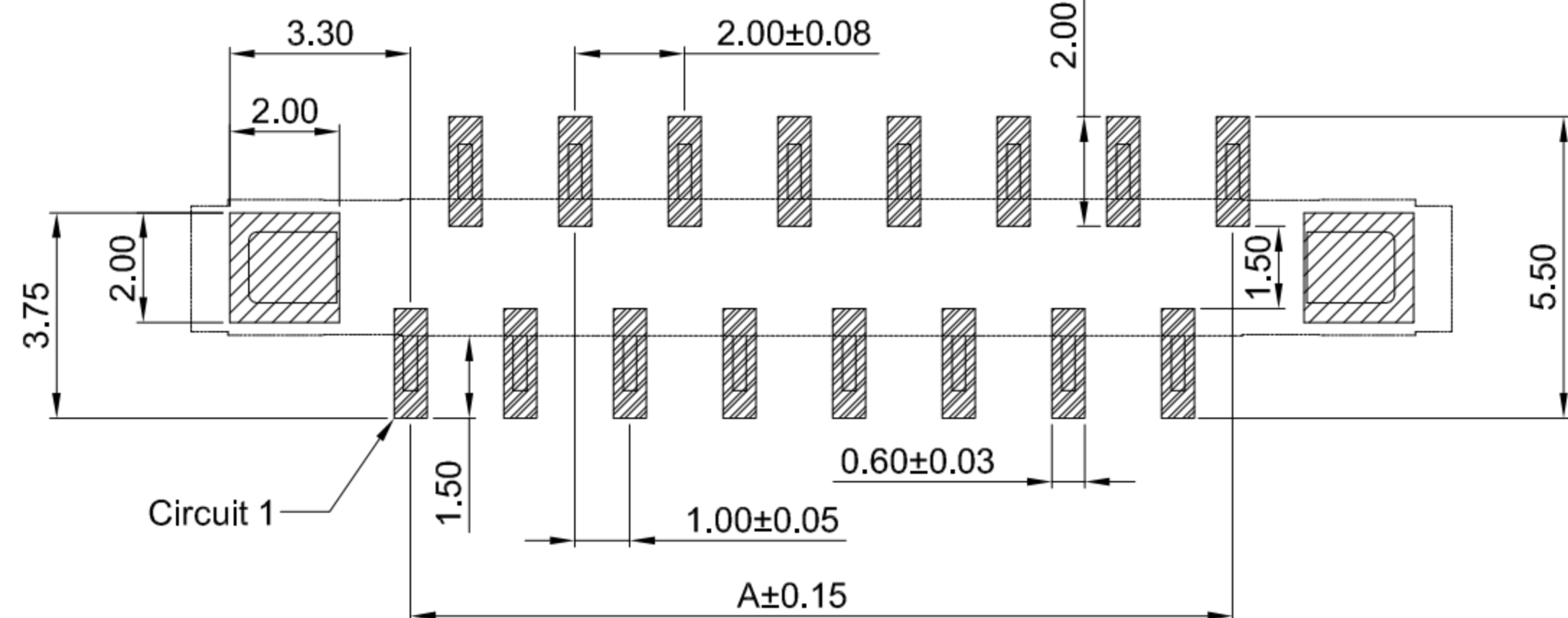
Title: FPC 1.00mm Pitch 180° H5.50mm SMT Type Bottom Contacts Connector			
Molde Code: GT-F1001SV55-XXXXX01			
DRAWN	CHECKED	APPROVED	DATE
Jiang	Hu	Chen	2022.11.18



REV: A0 SHEET: 1/2

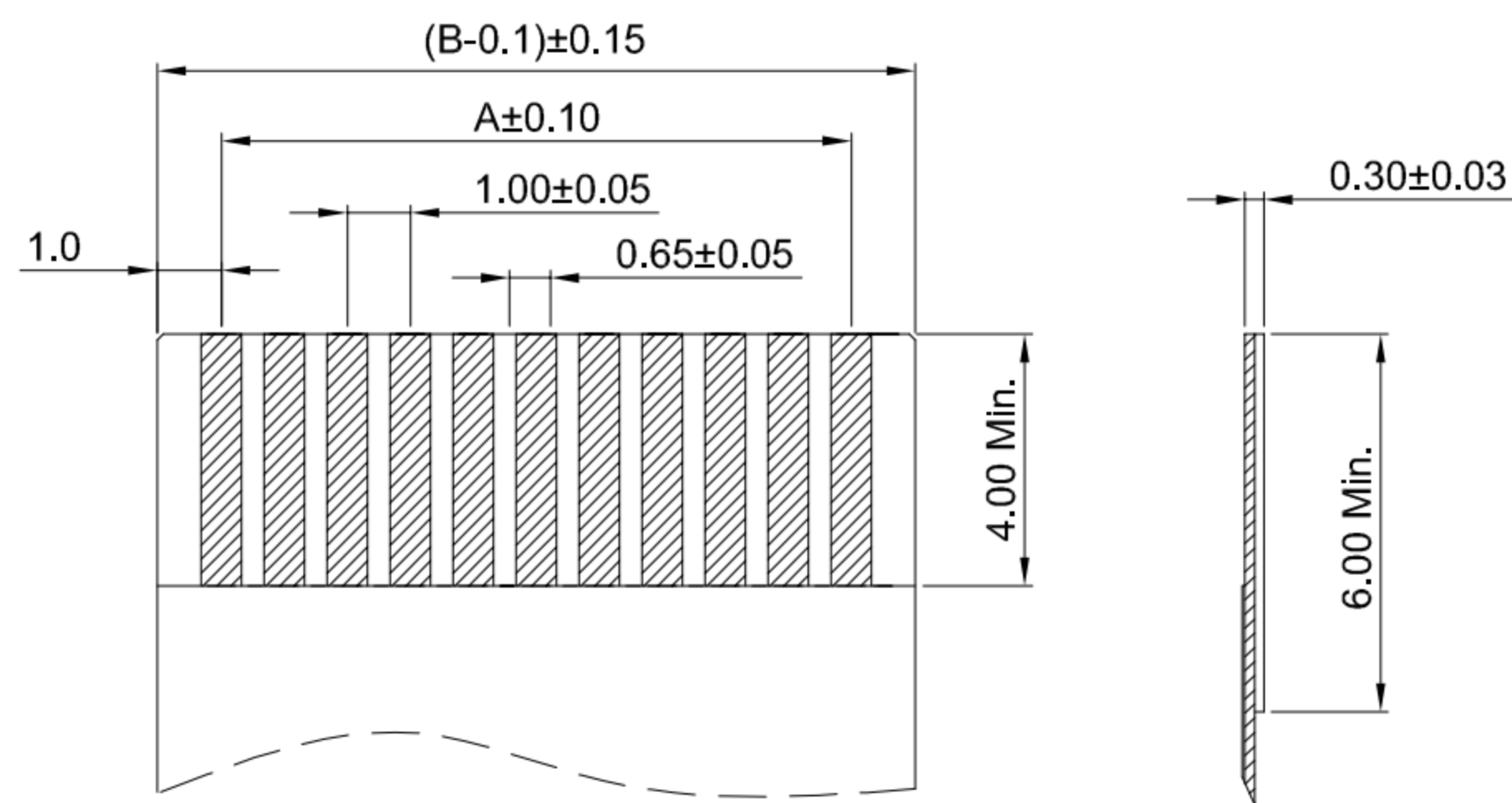
1 **Ordering Information:**

Circuit	Dimensions(mm)		
	A	B	C
4P	3.00	5.03	11.10
5P	4.00	6.03	12.10
6P	5.00	7.03	13.10
7P	6.00	8.03	14.10
8P	7.00	9.03	15.10
9P	8.00	10.03	16.10
10P	9.00	11.03	17.10
11P	10.00	12.03	18.10
12P	11.00	13.03	19.10
13P	12.00	14.03	20.10
14P	13.00	15.03	21.10
15P	14.00	16.03	22.10
16P	15.00	17.03	23.10
17P	16.00	18.03	24.10
18P	17.00	19.03	25.10
19P	18.00	20.03	26.10
20P	19.00	21.03	27.10
21P	20.00	22.03	28.10
22P	21.00	23.03	29.10
23P	22.00	24.03	30.10
24P	23.00	25.03	31.10
25P	24.00	26.03	32.10
26P	25.00	27.03	33.10
27P	26.00	28.03	34.10
28P	27.00	29.03	35.10
29P	28.00	30.03	36.10
30P	29.00	31.03	37.10
31P	30.00	32.03	38.10
32P	31.00	33.03	39.10
33P	32.00	34.03	40.10
34P	33.00	35.03	41.10
35P	34.00	36.03	42.10
36P	35.00	37.03	43.10
37P	36.00	38.03	44.10
38P	37.00	39.03	45.10
39P	38.00	40.03	46.10
40P	39.00	41.03	47.10



RECOMMENDED PCB LAYOUT
TOLERANCE:±0.05

A Type-
Bottom Contacts



APPLICABLE FPC



GT-F1001 S V 55 -XX X XX 01

- G-Switch**
- Series No**
- Termipoint**
S-SMT
- Angle**
V-180°
- Height**
55-5.50mm
- Contact**
01-A Type (Bottom Contacts)
02-B Type (Top Contacts)
- Terminal Plating**
11-All G/F
MT-Matte Tin
BT-Bright Tin
- Housing Colour**
S-Nature
- Pin Q' PY**
04~40

- G-Switch Specification:**
- Current rated: 0.5A AC/DC
 - Voltage rating: 50V AC/DC
 - Withstanding voltage: 250V AC
 - Contact resistance: 30mΩ max.
 - Insulation resistance: 500MΩ min
 - Durability cycle: 20Cycles
 - Removal force: 0.03kgf/Pin min
 - Operating temperature range: -25°C ~ +85°C

4	SOLDER TABS	BRASS	BRIGHT Tin
3	CONTACT	BRASS	ALL Au G/F OR BRIGHT Tin
2	COVER	LCP,94V-0	BLACK
1	HOUSING	LCP,94V-0	NATURE
NO.	PART NAME	MATERIAL	REMARK



SCALE: 1:1	UNIT: mm	Title: FPC 1.00mm Pitch 180° H5.50mm SMT Type Bottom Contacts Connector	
SIZE: A4		Molde Code: GT-F1001SV55-XXXXX01	
Unless otherwise General Tolerance:		DRAWN	CHECKED
X	±0.40	APPROVED	DATE
X.x	±0.30	Jiang	Hu
X.xx	±0.20	Chen	2022.11.18
X*	±5°	REV: A0	
X.x°	±3°	SHEET: 2/2	

