

A

B

C

D

E

1

1

2

2

3

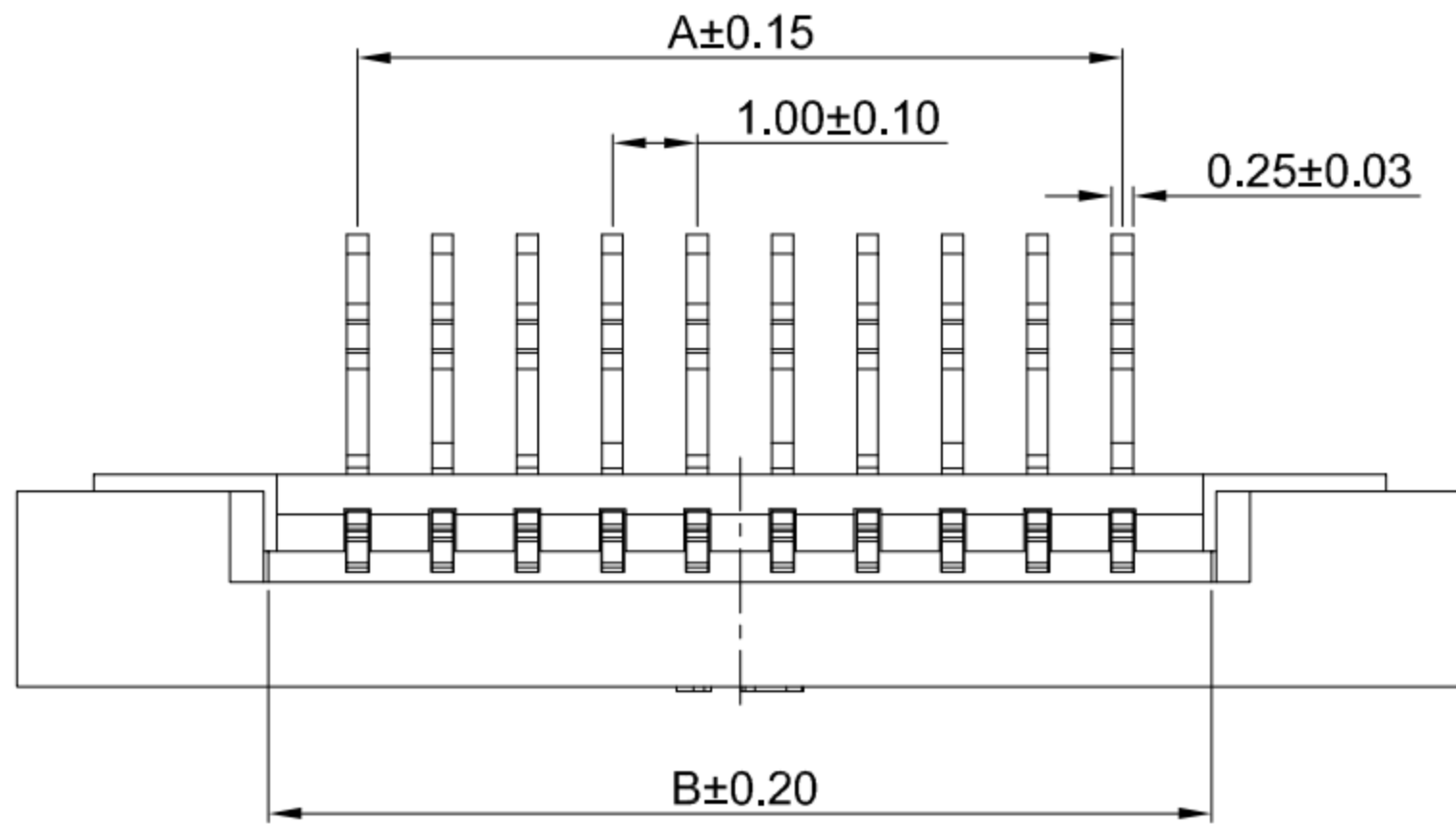
3

4

4

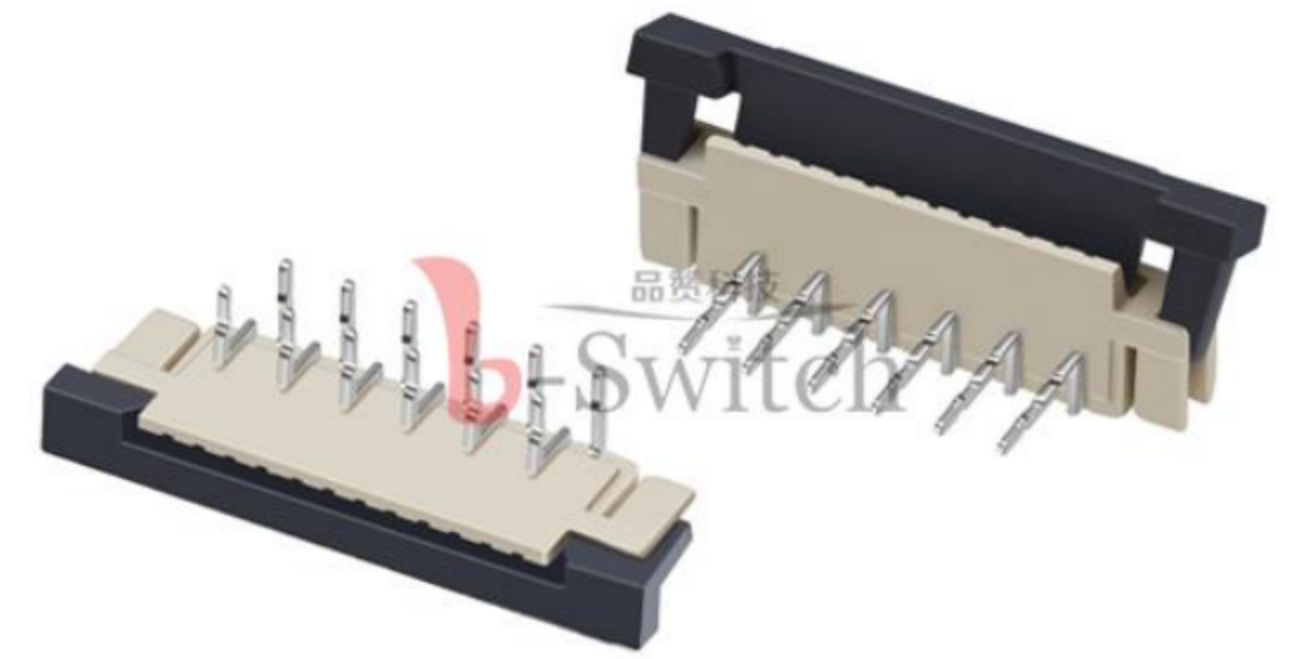
5

5



**G-Switch Specification:**

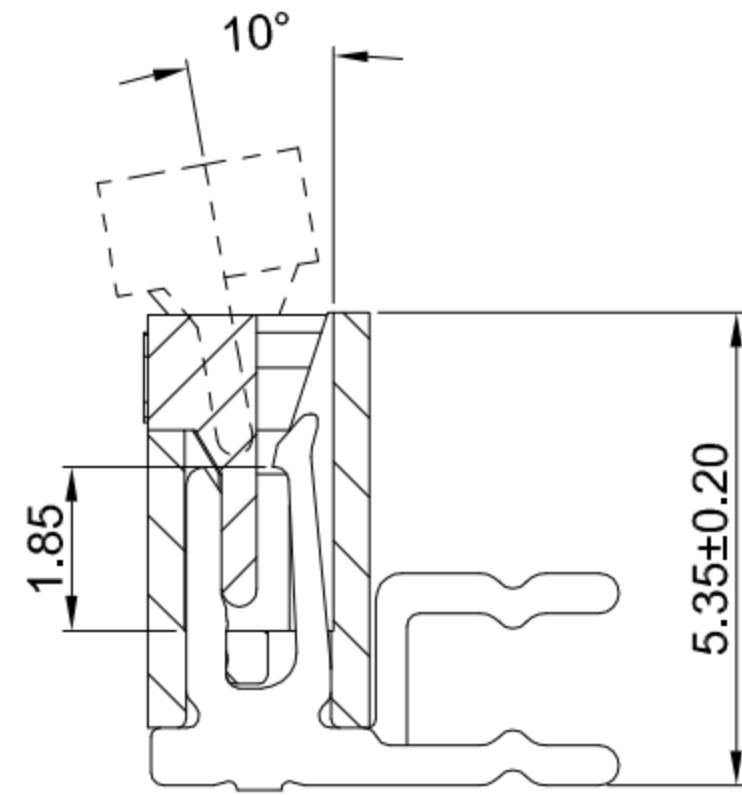
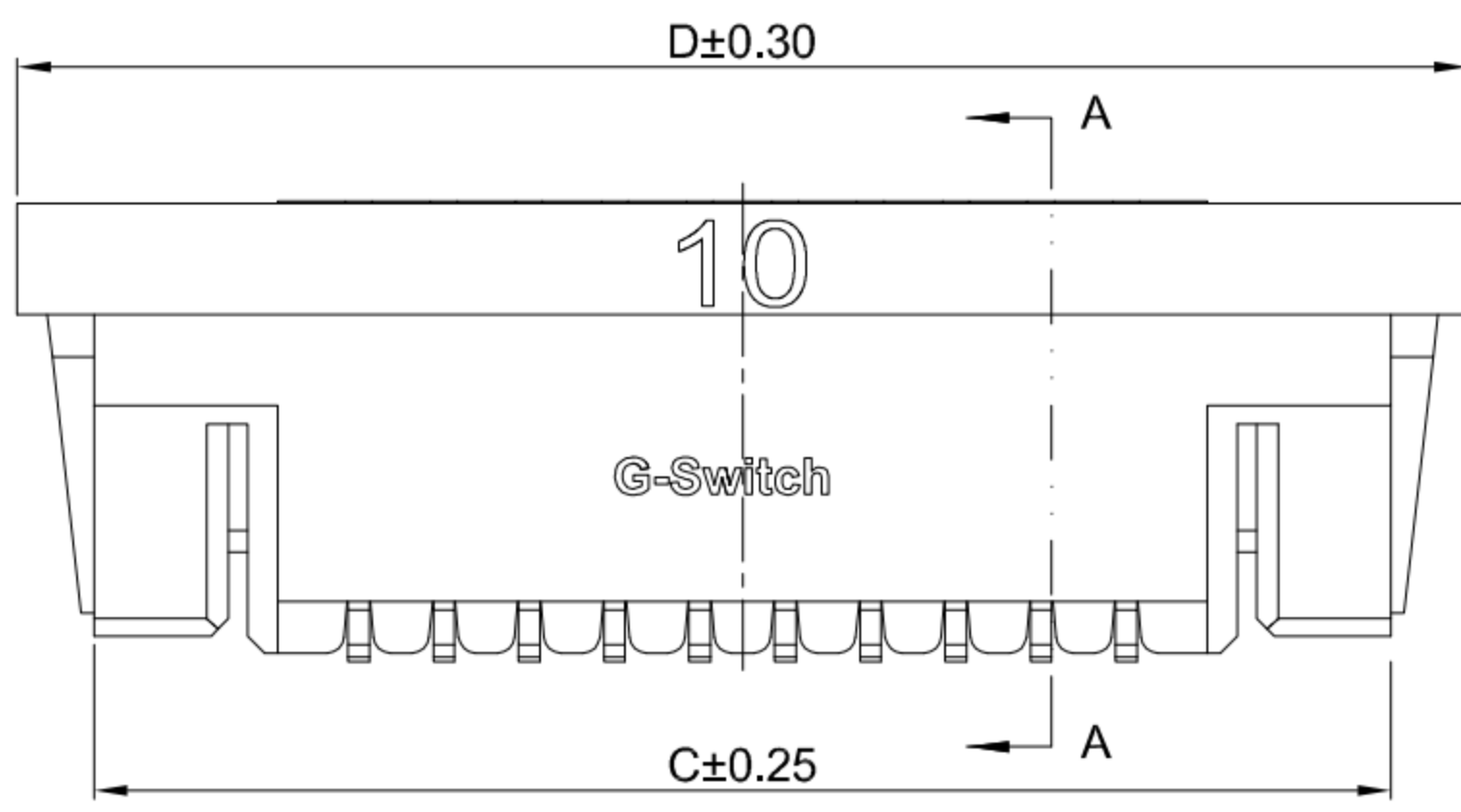
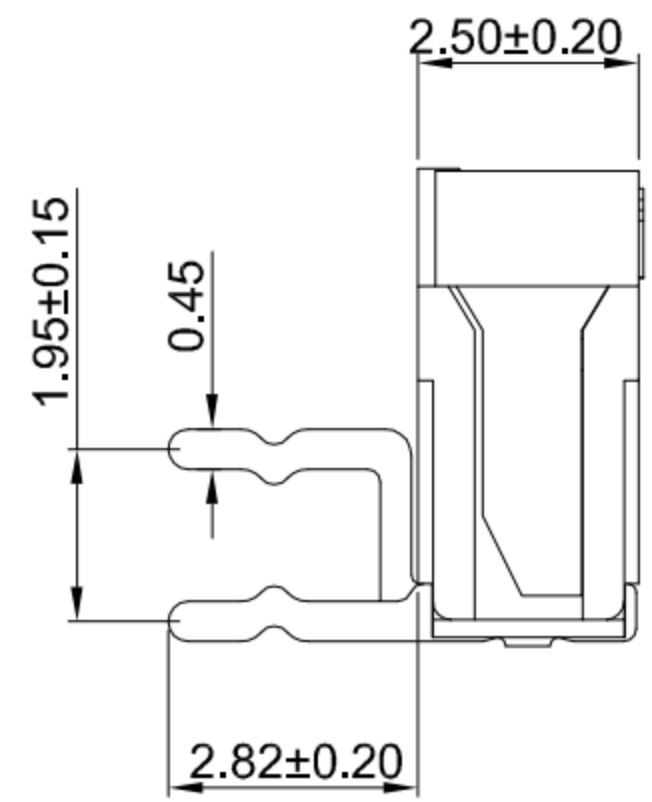
- 1.Current rated: 0.5A AC/DC
- 2.Voltage rating: 50V AC/DC
- 3.Withstanding voltage: 200V AC
- 4.Contact resistance: 20mΩ max.
- 5.Insulation resistance: 500MΩ min
- 6.Durability cycle: 20Cycles
- 7.Removal force: 0.05kgf/Pin min
- 8.Operating temperature range: -25°C ~ +85°C



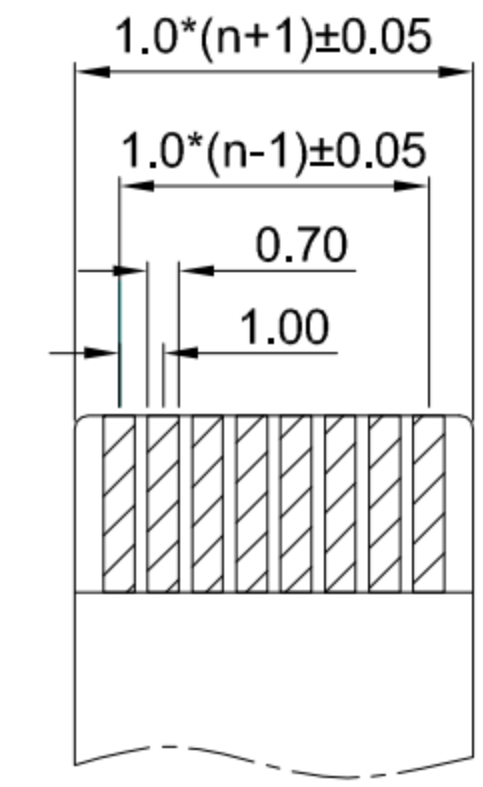
**GT-F1014 D R 25 -XX X XX 01**

**G-Switch**  
**Series No**  
**Termipoint**  
D-DIP  
**Angle**  
R-90°

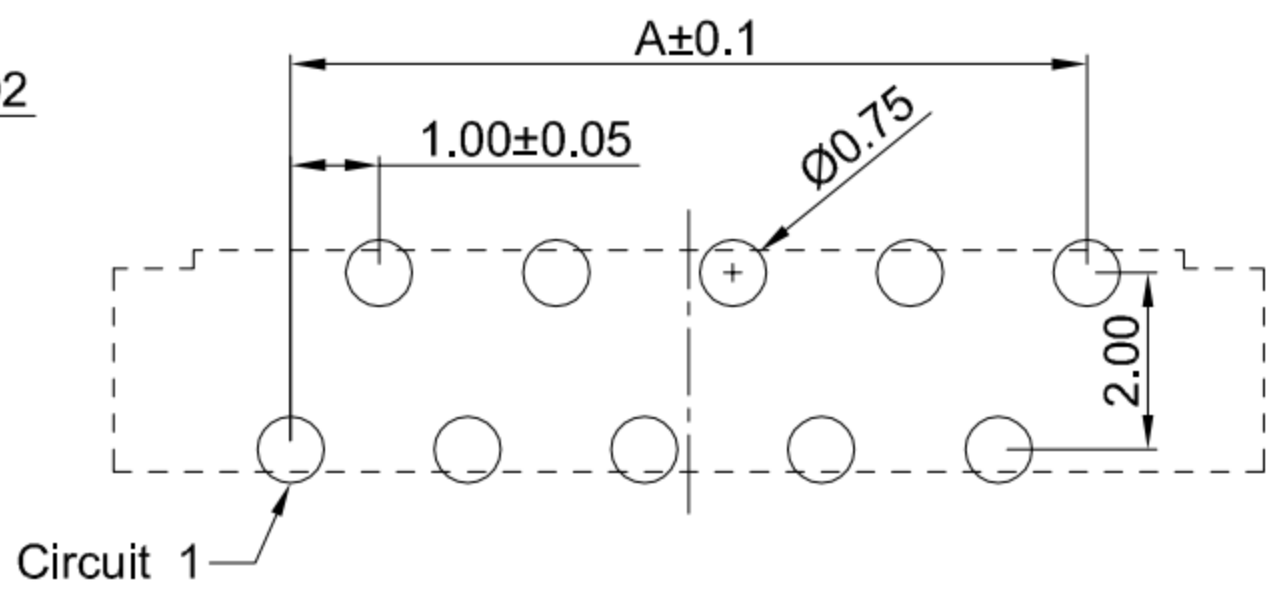
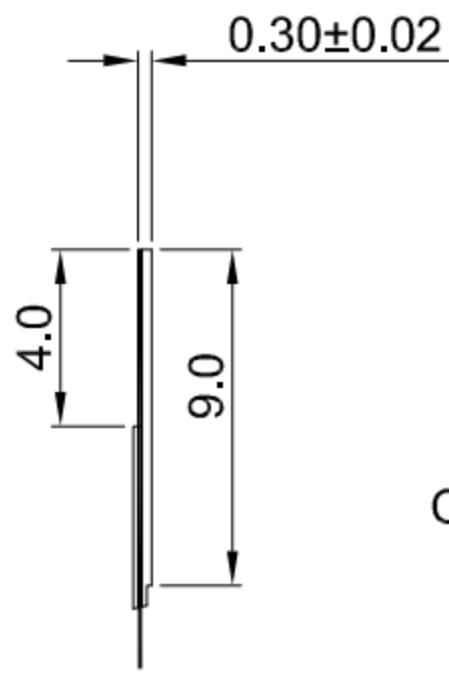
**Terminal Plating**  
BT-Bright Tin  
**Housing Colour**  
S-Nature  
**Pin Q' PY**  
04~34  
**Height**  
25-2.50mm



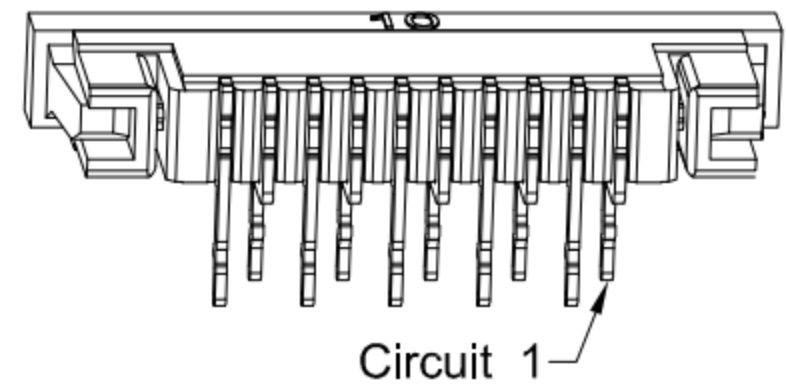
SECTION A-A



PROPER CABLE (SCALE 2:1)



RECOMMENDED PCB LAYOUT  
TOLERANCE:±0.05



**Ordering Information:**

Circuit	Dimensions(mm)			
	A	B	C	D
04	3.00	5.15	9.20	11.10
05	4.00	6.15	10.20	12.10
07	6.00	8.15	12.20	14.10
10	9.00	11.15	15.20	17.10
11	10.00	12.15	16.20	18.10
12	11.00	13.15	17.20	19.10
13	12.00	14.15	18.20	20.10
19	18.00	20.15	24.20	26.10
21	20.00	22.15	26.20	28.10
23	22.00	24.15	28.20	30.10
29	28.00	30.15	34.20	36.10
31	30.00	32.15	36.20	38.10
32	31.00	33.15	37.20	39.10
33	32.00	34.15	38.20	40.10
34	33.00	35.15	39.20	41.10
35	34.00	36.15	40.20	42.10
36	35.00	37.15	41.20	43.10

3	CONTACT	PHOSPHOR BRONZE	BRIGHT Tin
2	COVER	LCP,94V-0	BLACK
1	HOUSING	LCP,94V-0	NATURE
NO.	PART NAME	MATERIAL	REMARK



SCALE: 1:1 UNIT: mm  
 SIZE: A4

Unless otherwise  
 General Tolerance:  
 X ±0.40  
 X.x ±0.30  
 X.xx ±0.20  
 X\* ±5°  
 X.x° ±3°

Title: FPC 1.00mm Pitch 90° Right DIP Double Row  
 Single Sided Welding Bottom Contacts

Molde Code: GT-F1014DR25-XXXXX01

DRAWN	CHECKED	APPROVED	DATE
Jiang	Hu	Chen	2021.06.28



REV: A0 SHEET: 1/1

A

B

C

D

E