

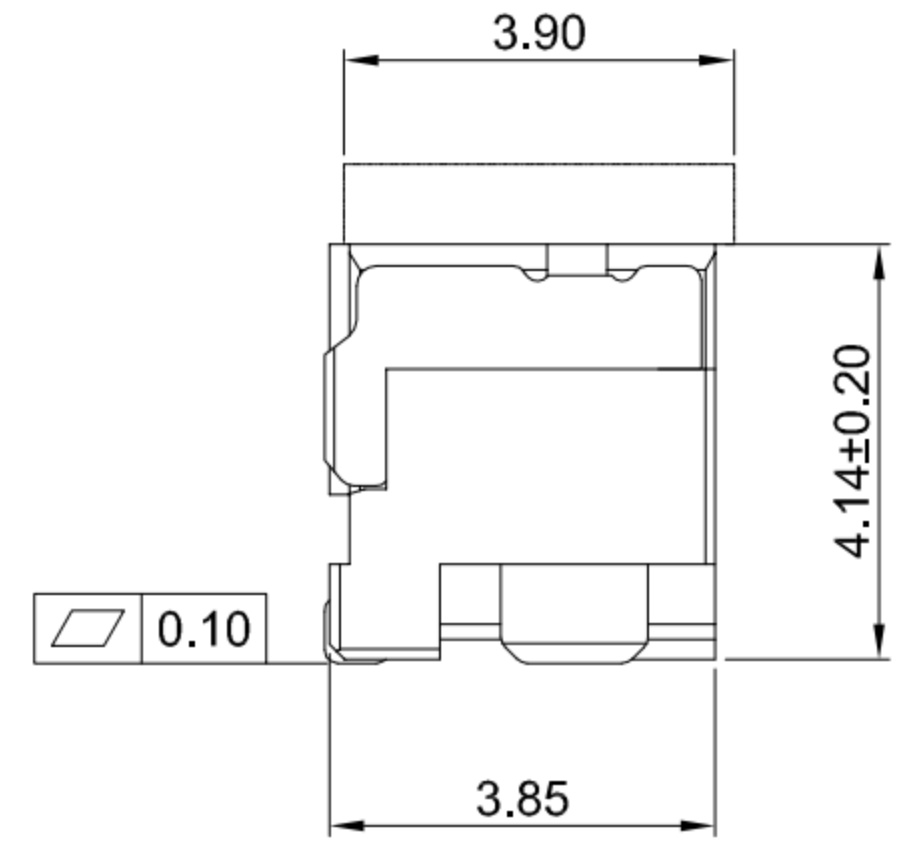
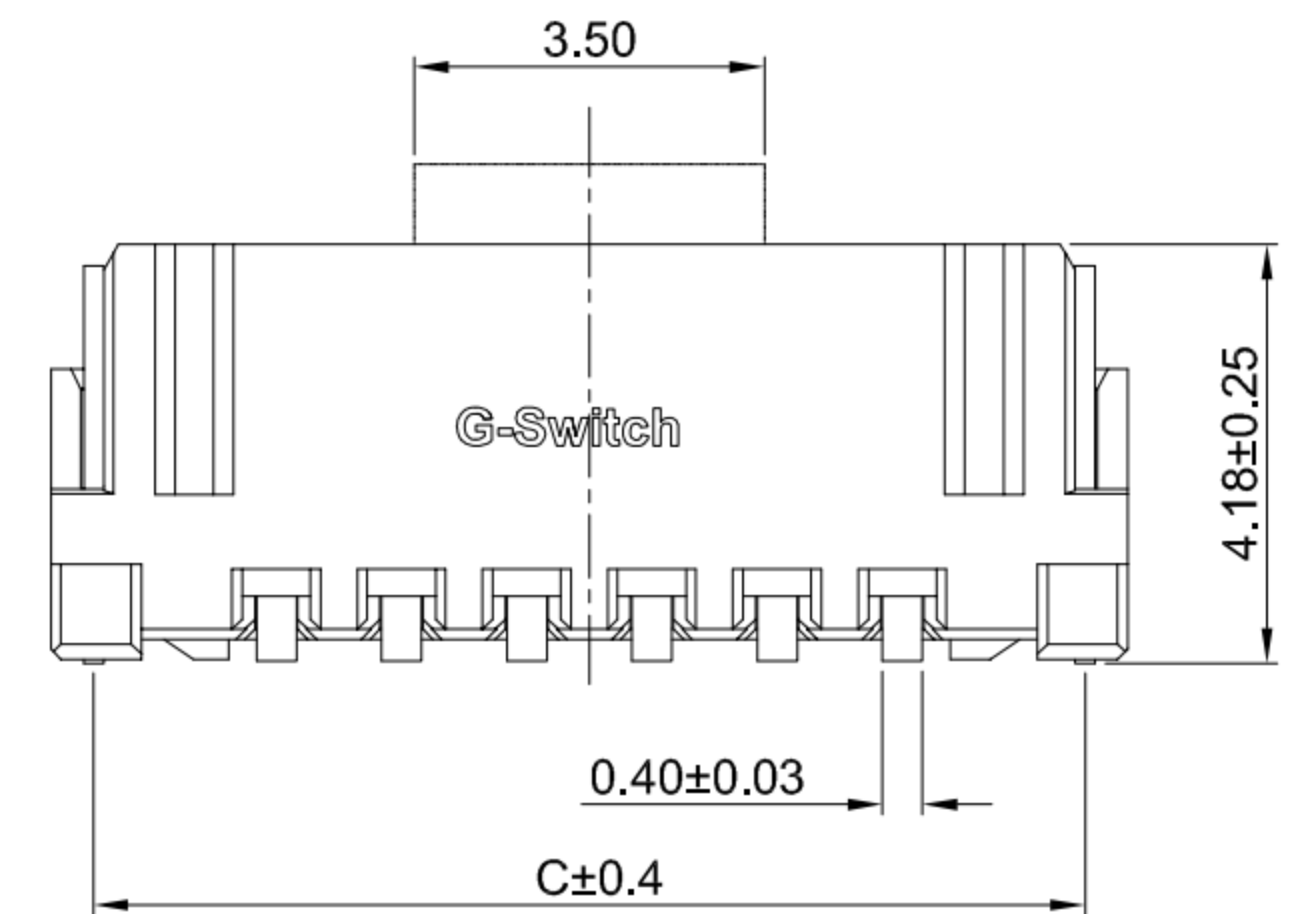
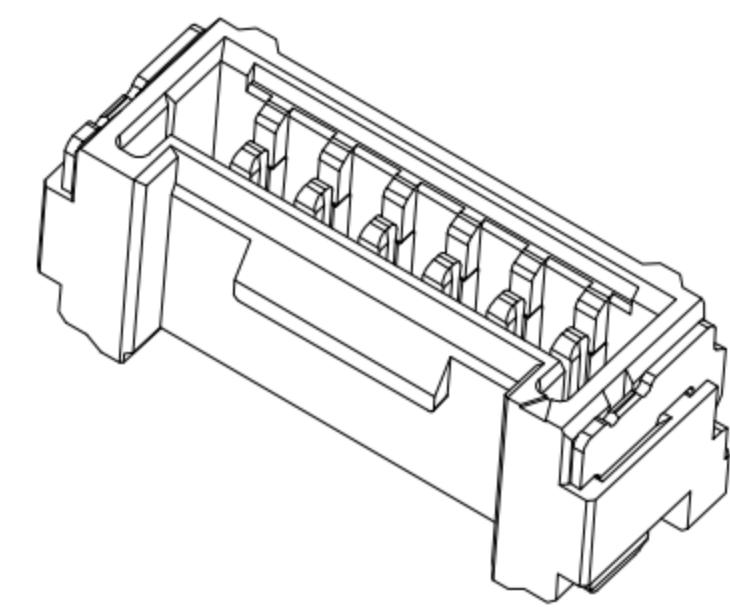
RECOMMENDED PCB LAYOUT  
TOLERANCE:±0.05

- G-Switch Specification:**
- 1.Current rated: 1.5A AC/DC
  - 2.Voltage rating: 50V AC/DC
  - 3.Withstanding voltage: 500V AC
  - 4.Contact resistance: 20mΩ max.
  - 5.Insulation resistance: 100MΩ min
  - 6.Durability cycle: 50Cycles
  - 7.Removal force: 0.20kgf/Pin min
  - 8.Operating temperature range: -25°C ~ +85°C



GT-A1258 W V S-1 XX X XX 01

- G-Switch**
- Series No**
- Connector**  
W-Wafer
- Angle**  
V-180°
- Termpoint**  
S-SMT
- Terminal Plating**  
BT-Matte tin
- Housing Colour**  
B-Black
- Pin Q' PY**  
02~16
- Row NO**  
1-Single Row



**Ordering Information:**

Circuit	Dimension(mm)			Circuit	Dimension(mm)		
	A	B	C		A	B	C
02	--	5.75	4.90	10	11.25	15.75	14.90
03	2.50	7.00	6.15	11	12.50	17.00	16.15
04	3.75	8.25	7.40	12	13.75	18.25	17.40
05	5.00	9.50	8.65	13	15.00	19.50	18.65
06	6.25	10.75	9.90	14	16.25	20.75	19.90
07	7.50	12.00	11.15	15	17.50	22.00	21.15
08	8.75	13.25	12.40	16	18.75	23.25	22.40
09	10.00	14.50	13.65	---	---	---	---

NO.	PART NAME	MATERIAL	REMARK
3	SOLDER TABS	BRASS	MATTE Tin
2	CONTACT	BRASS	MATTE Tin
1	HOUSING	LCP_94V-0	BLACK

SCALE: 1:1 UNIT: mm  
SIZE: A4

Title: Wafer 1.25mm Pitch 180° SMT Type Single Row Connector

Unless otherwise General Tolerance:  
X ±0.40  
X.x ±0.30  
X.xx ±0.20  
X\* ±5°  
X.x° ±3°

Molde Code: GT-A1258WVS-1XXXXX01	DRAWN	CHECKED	APPROVED	DATE
	Hu	Chen	Chen	2022.12.28



REV: A0 SHEET: 1/2





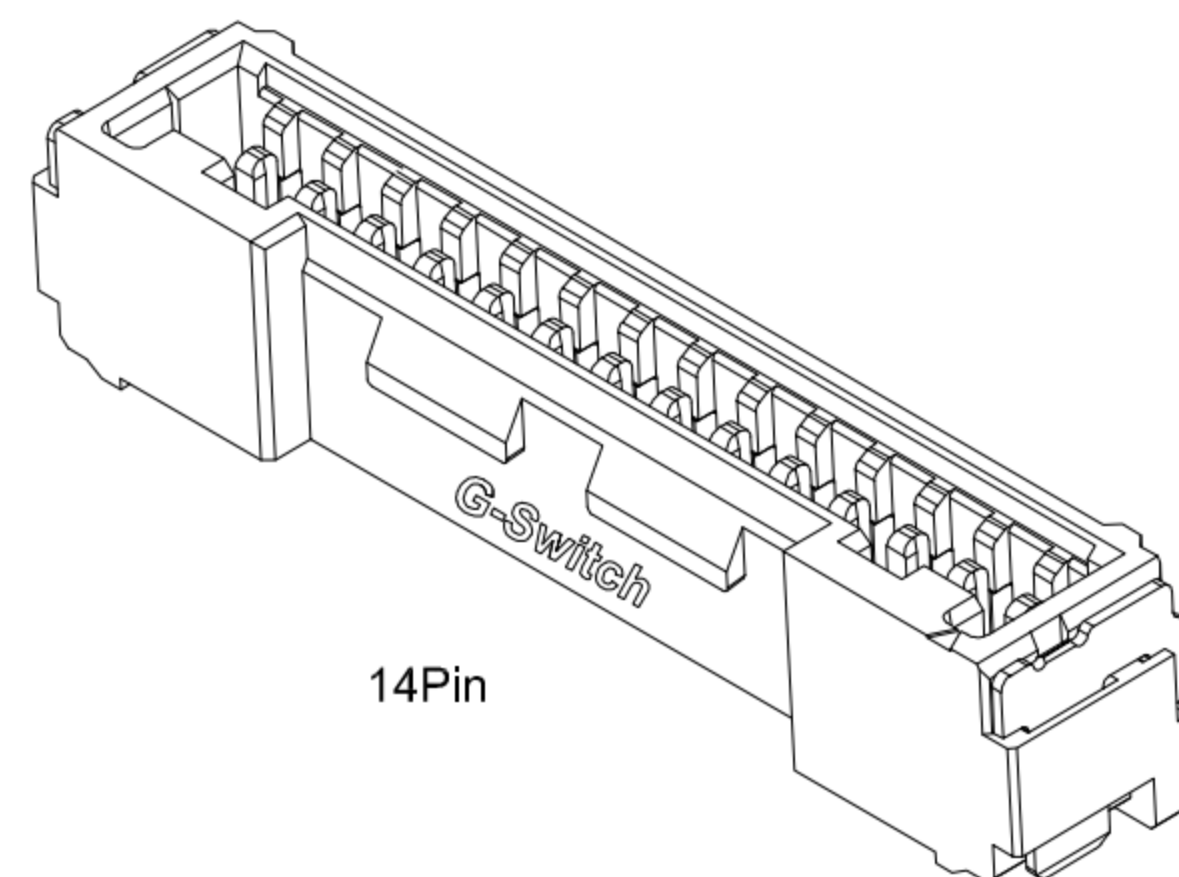
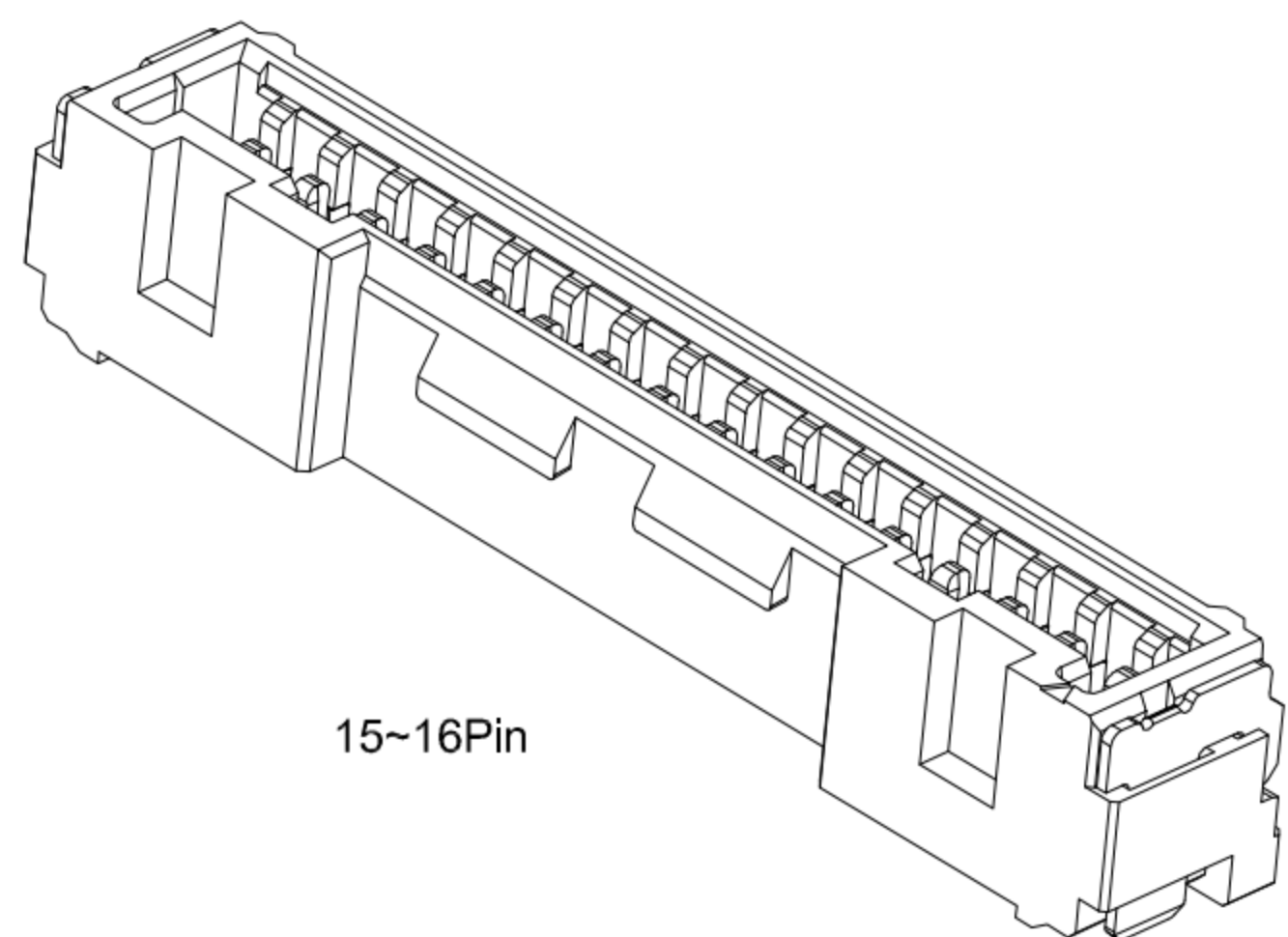
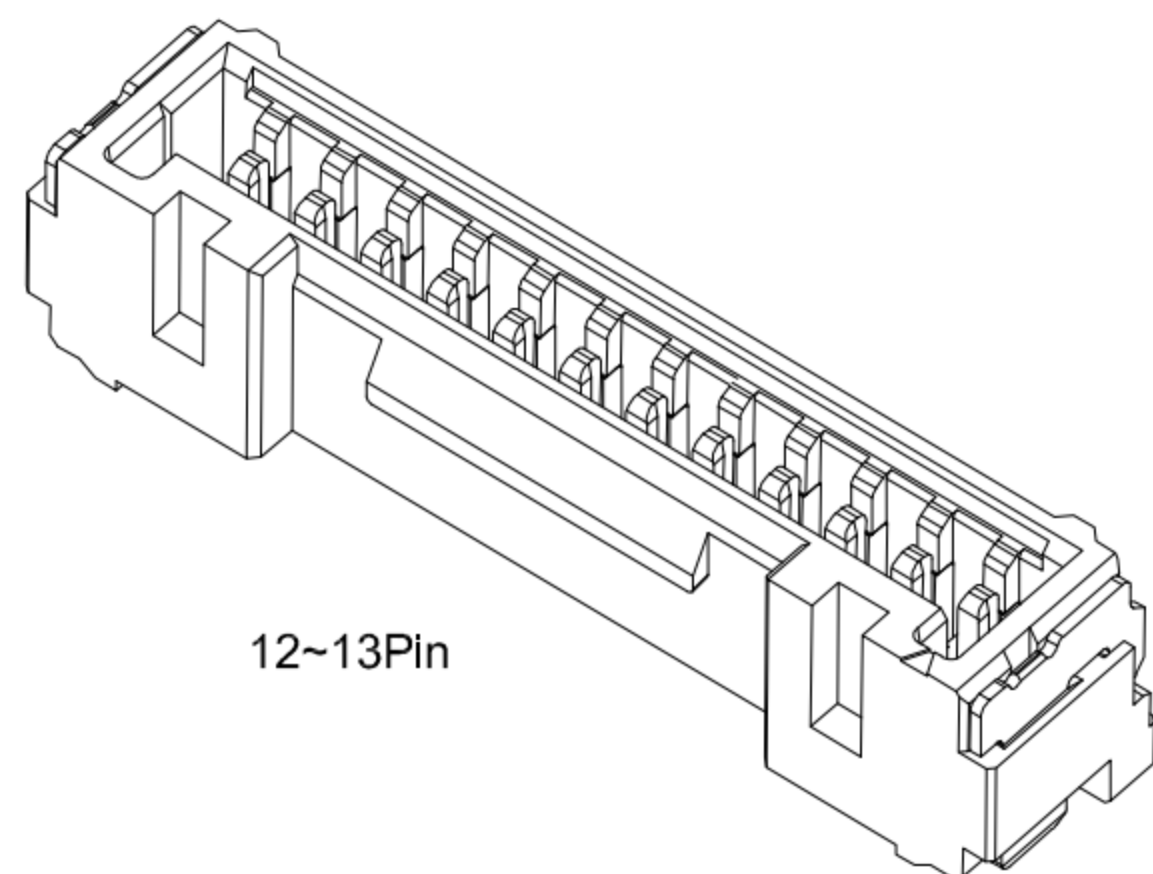
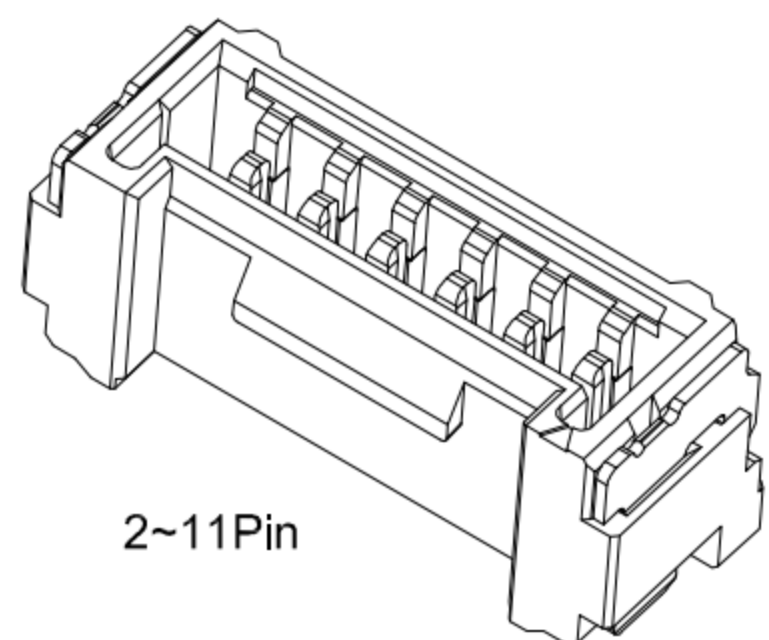
A

B

C

D

E



3	SOLDER TABS	BRASS	MATTE Tin
2	CONTACT	BRASS	MATTE Tin
1	HOUSING	LCP,94V-0	BLACK
NO.	PART NAME	MATERIAL	REMARK



SCALE: 1:1 UNIT: mm  
 SIZE: A4

Unless otherwise  
 General Tolerance:  
 X ±0.40  
 X.x ±0.30  
 X.xx ±0.20  
 X° ±5°  
 X.x° ±3°

Title: Wafer 1.25mm Pitch 180° SMT Type  
 Single Row Connector

Molde Code: GT-A1258WVS-1XXXXX01

DRAWN	CHECKED	APPROVED	DATE
Hu	Chen	Chen	2022.12.28



REV: A0 SHEET: 2/2

A

B

C

D

E