

MATING HEIGHT



GT-B0502 M S V 21 -XX X XX 01

G-Switch

Series No

M-Male

Termpoint
S-SMT

Angle
V-180°

Terminal Plating
11-All Au G/F

Housing Colour
S-Nature
B-Black

Pin Q' PY
10-80

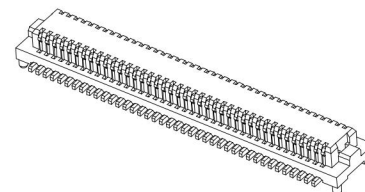
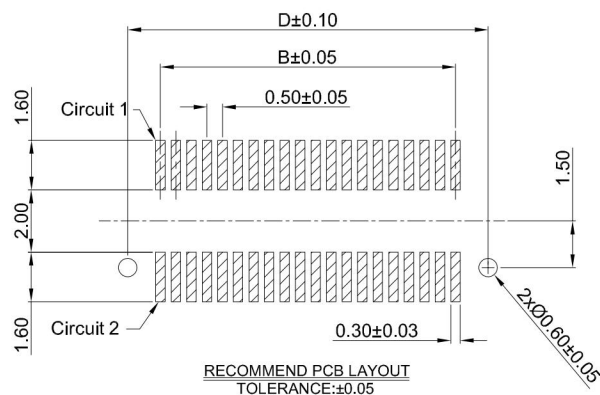
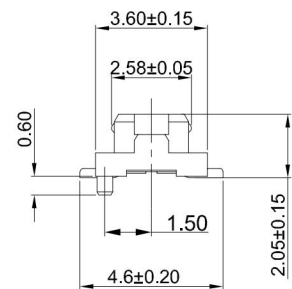
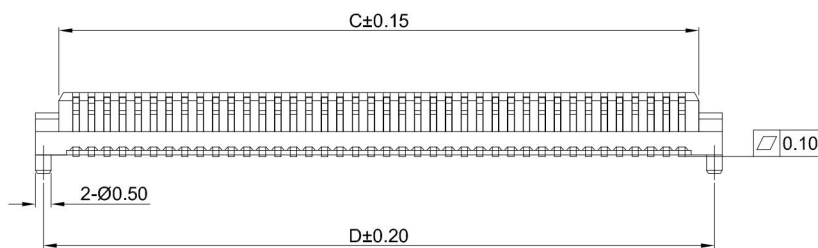
Height
21-2.05mm

G-Switch Specification:

- 1.Current rated: 0.3A AC/DC
- 2.Voltage rating: 50V AC/DC
- 3.Withstanding voltage: 150V AC
- 4.Contact resistance: 50mΩ Max.
- 5.Insulation resistance: 500MΩ min
- 6.Durability cycle: 30Cycles
- 7.Removal force: 0.30kgf/Pin min
- 8.Operating temperature range: -40°C ~ +85°C

Ordering Information:

Circuit	Dimensions(mm)				Circuit	Dimensions(mm)			
	A	B	C	D		A	B	C	D
10	4.60	2.00	3.00	4.10	32	10.10	7.50	8.60	9.60
12	5.10	2.50	3.60	4.60	36	11.10	8.50	9.60	10.60
14	5.60	3.00	4.10	5.10	40	12.10	9.50	10.60	11.60
20	7.10	4.50	5.60	6.60	50	14.60	12.00	13.10	14.10
22	7.60	5.00	6.10	7.10	60	17.10	14.50	15.60	16.60
24	8.10	5.50	6.60	7.60	70	19.60	17.00	18.10	19.10
30	9.60	7.00	8.10	9.10	80	22.10	19.50	20.60	21.60



2	CONTACT	PHOSPHOR BRONZE	ALL Au G/F
1	HOUSING	LCP,94V-0	NATURE
NO.	PART NAME	MATERIAL	REMARK



SCALE: 1:1 UNIT: mm
SIZE: A4

Unless otherwise
General Tolerance:
X ±0.40
X.x ±0.30
X.xx ±0.20
X° ±5°
X.x° ±3°

Title: BTB 0.50mm Pitch 180° H2.1mm Dual Rows
SMT Type Mate Connector

Molde Code: GT-B0502MSV21-XXXXX01

DRAWN	CHECKED	APPROVED	DATE
Hu	Chen	Chen	2022.12.28



REV: A0 SHEET: 1/1