

GT-B0502 M S V 27 -XX X XX 02

G-Switch

Series No

M-Male

Termpoint  
S-SMT

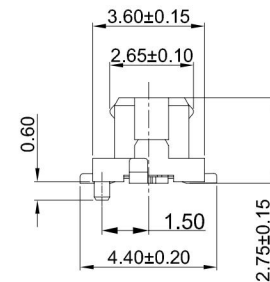
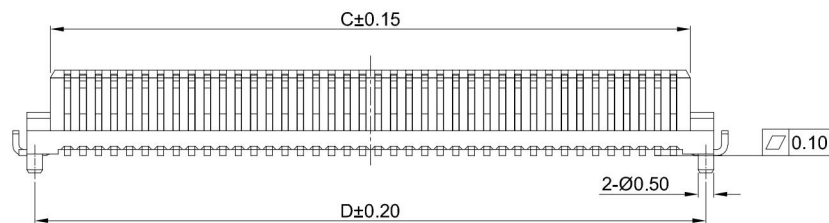
Angle  
V-180°

Terminal Plating  
11-All Au G/F

Housing Colour  
S-Nature  
B-Black

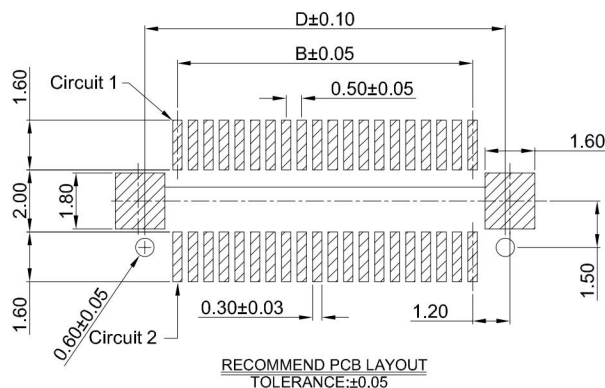
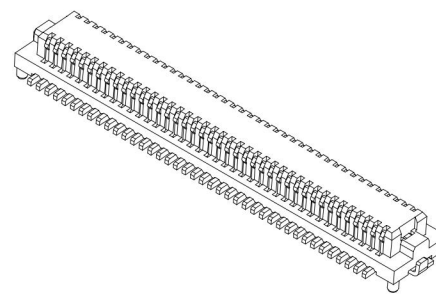
Pin Q' PY  
10~80

Height  
27-2.75mm



**G-Switch Specification:**

1. Current rated: 0.3A AC/DC
2. Voltage rating: 50V AC/DC
3. Withstanding voltage: 150V AC
4. Contact resistance: 50mΩ Max.
5. Insulation resistance: 500MΩ min
6. Durability cycle: 30 Cycles
7. Removal force: 0.30kgf/Pin min
8. Operating temperature range: -40°C ~ +85°C



**Ordering Information:**

Circuit	Dimensions(mm)				Circuit	Dimensions(mm)			
	A	B	C	D		A	B	C	D
10	4.70	2.00	3.10	4.10	32	10.20	7.50	8.60	9.60
12	5.20	2.50	3.60	4.60	36	11.20	8.50	9.60	10.60
14	5.70	3.00	4.10	5.10	40	12.20	9.50	10.60	11.60
20	7.20	4.50	5.60	6.60	50	14.70	12.00	13.10	14.10
22	7.70	5.00	6.10	7.10	60	17.20	14.50	15.60	16.60
24	8.20	5.50	6.60	7.60	70	19.70	17.00	18.10	19.10
30	9.70	7.00	8.10	9.10	80	22.20	19.50	20.60	21.60

3	SOLDER TABS	PHOSPHOR BRONZE	BRIGHT Tin
2	CONTACT	PHOSPHOR BRONZE	ALL AU G/F
1	HOUSING	LCP,94V-0	NATURE
NO.	PART NAME	MATERIAL	REMARK



SCALE: 1:1 UNIT: mm  
SIZE: A4

Unless otherwise General Tolerance:

X ±0.40  
X.x ±0.30  
X.xx ±0.20  
X° ±5°  
X.x° ±3°

Title: BTB 0.50mm Pitch 180° H2.7mm Dual Rows SMT Type Mate Connector

Molde Code: GT-B0502MSV27-XXXXX02

DRAWN	CHECKED	APPROVED	DATE
Hu	Chen	Chen	2022.12.28



REV: A0 SHEET: 1/1