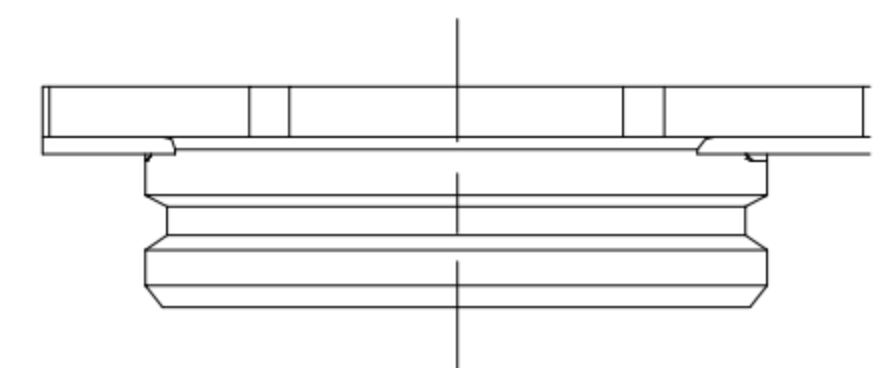
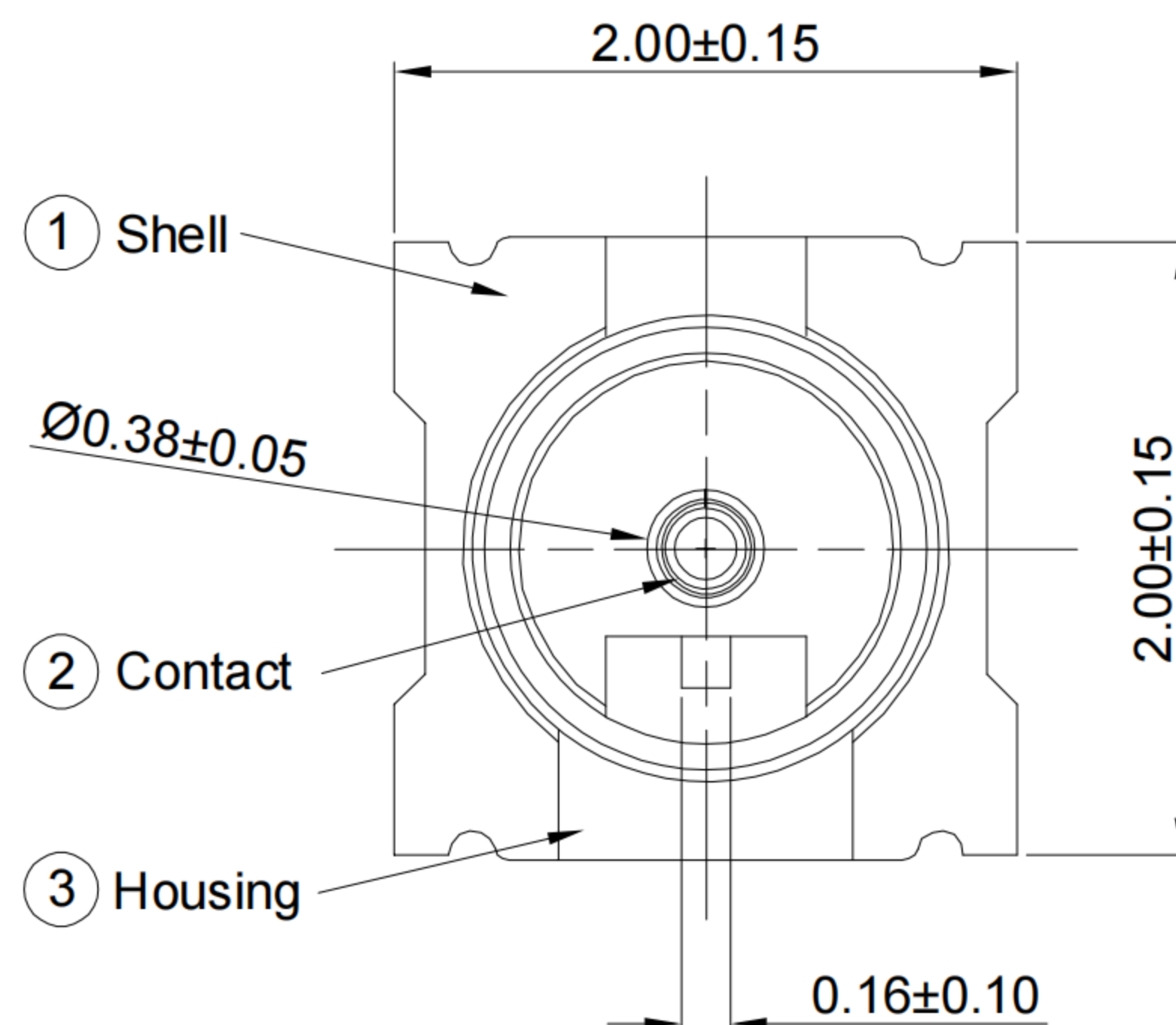


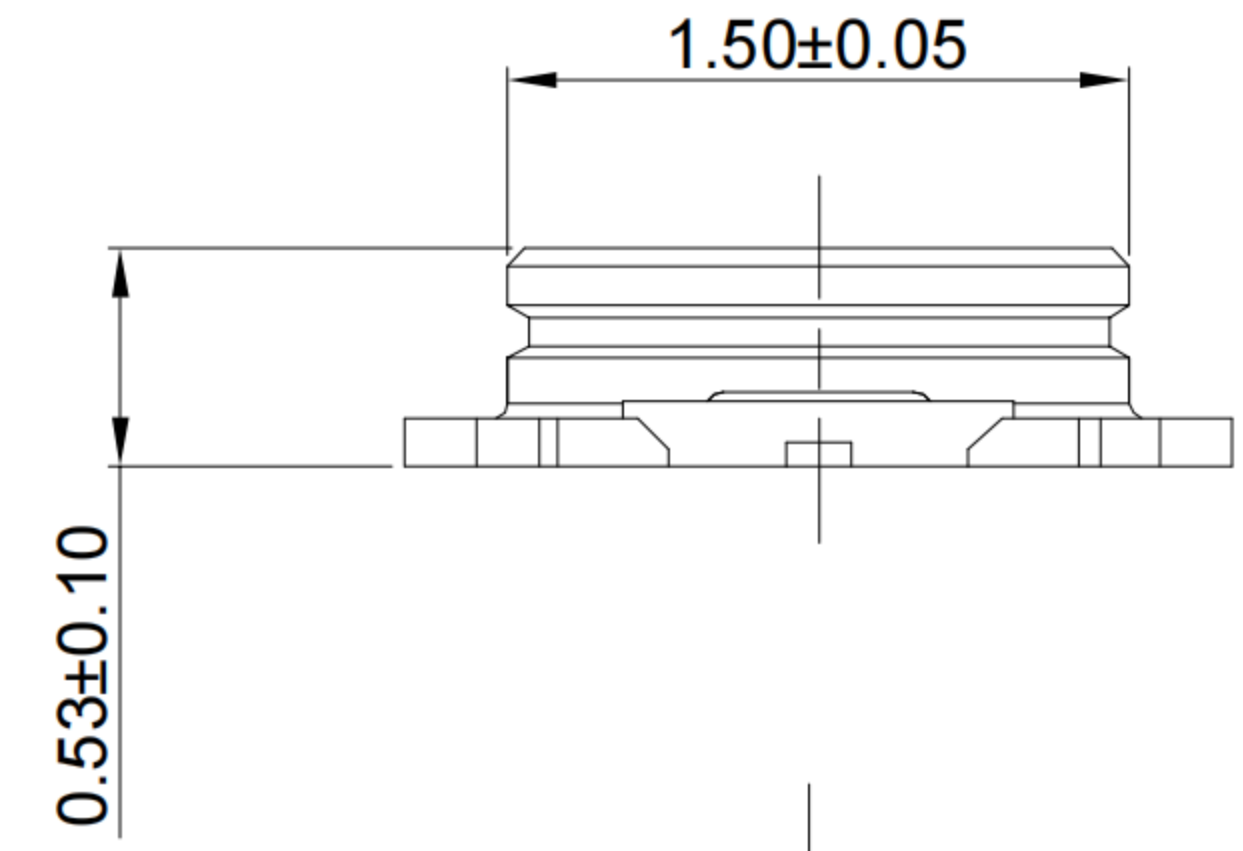
1



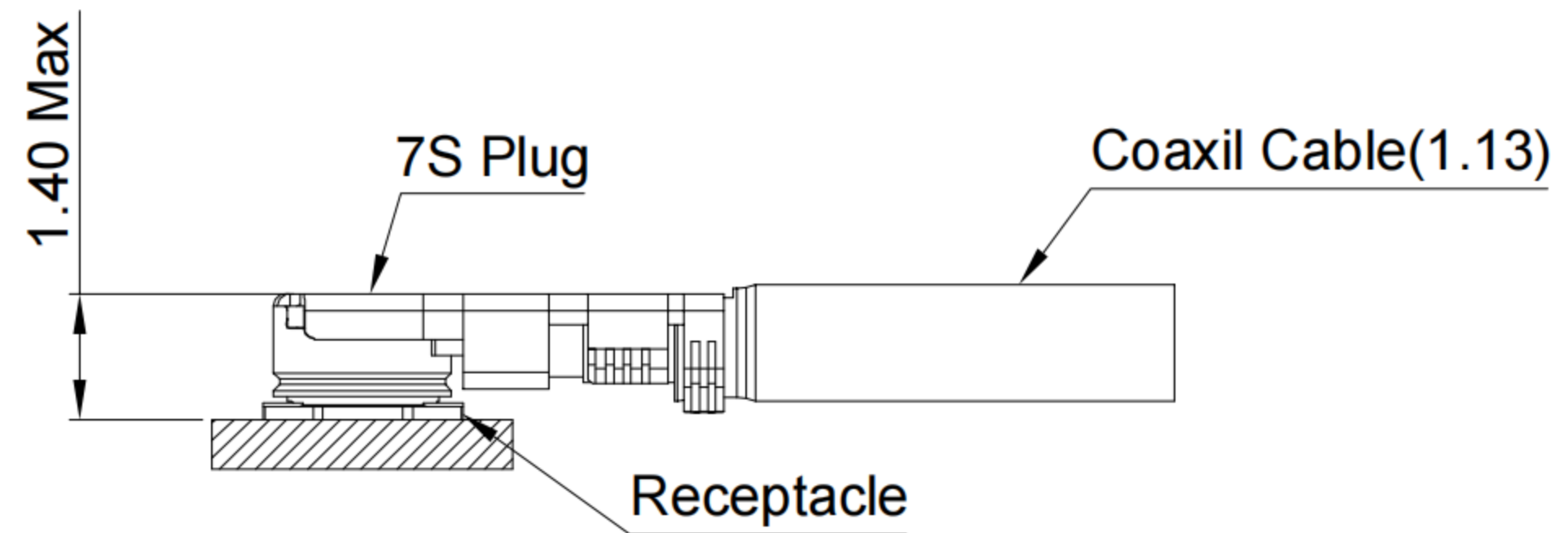
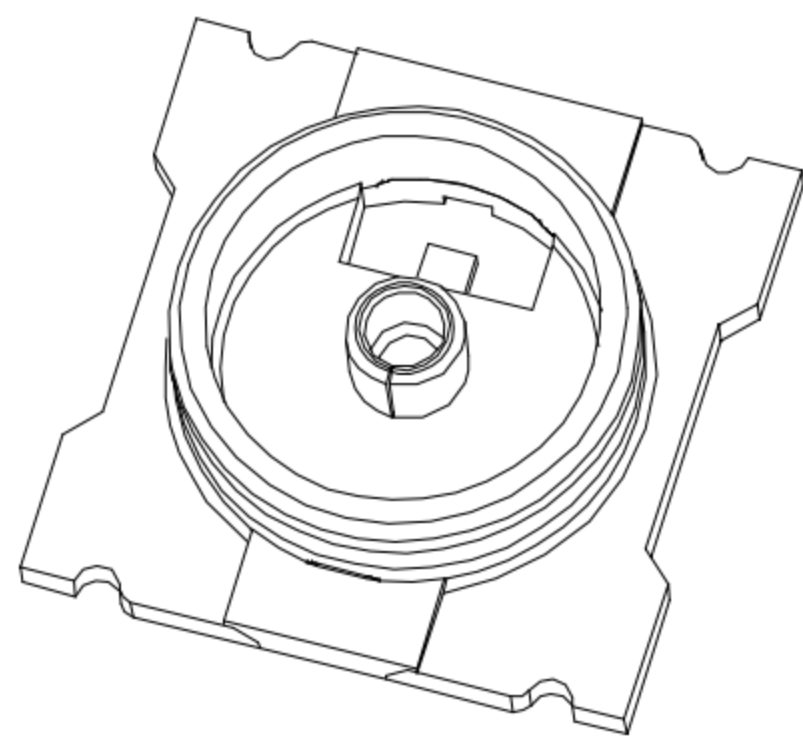
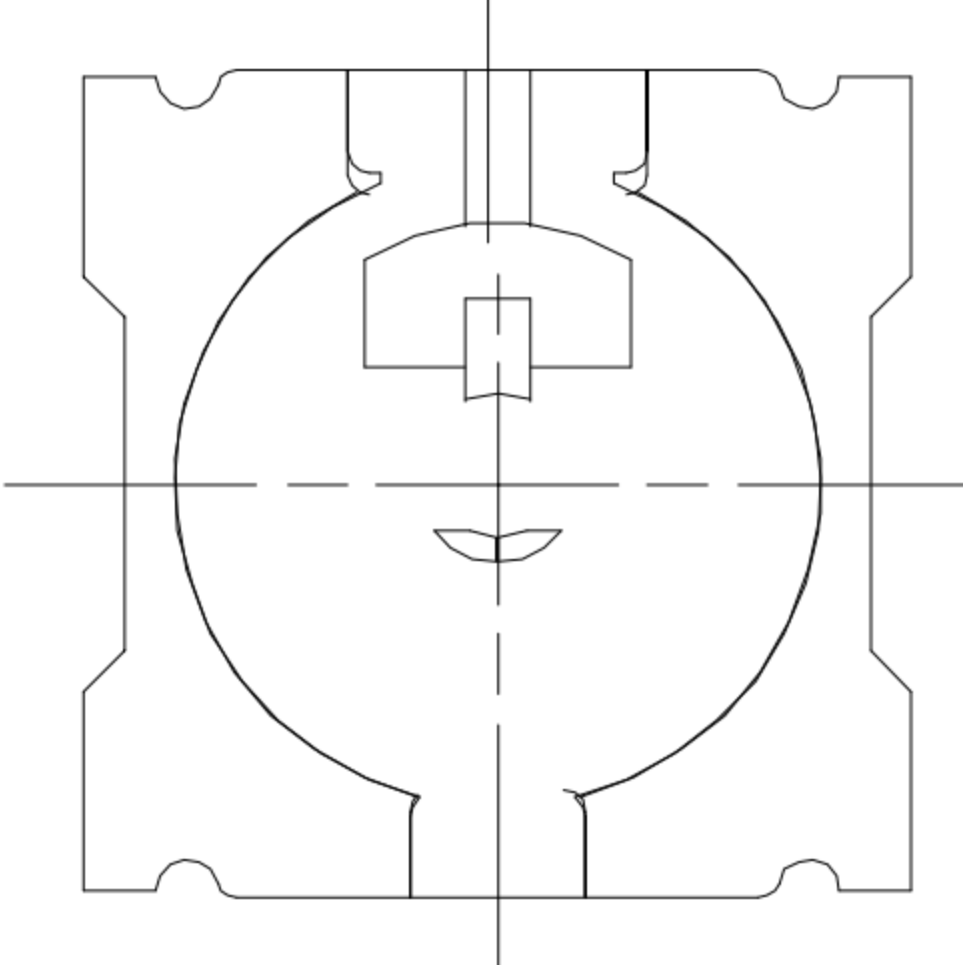
2



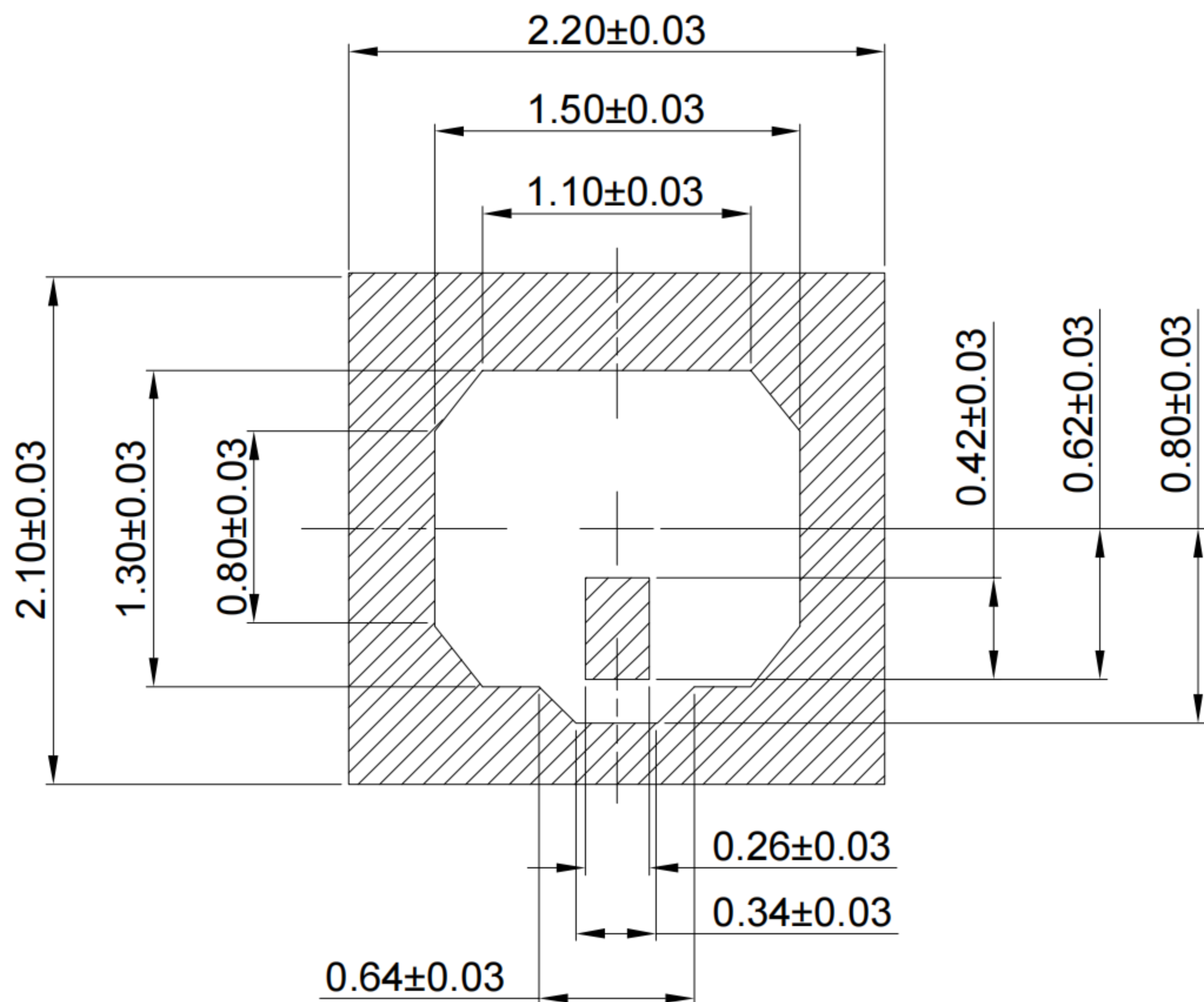
3



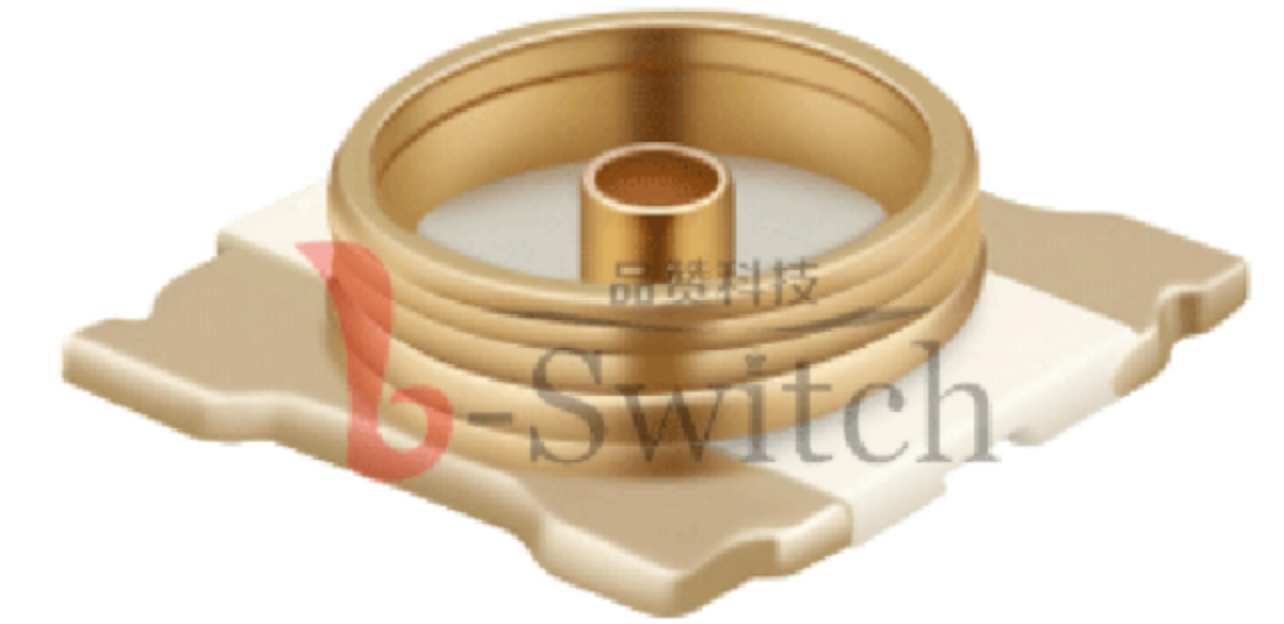
4



AFTER MATING



RECOMMENDED PCB LAYOUT



- G-Switch RF Specification:**
1. Rated voltage: 60V 50Hz RMS
 2. Contact resistance: 20mΩ Max
 3. Dielectric withstanding voltage: 200V AC for 1 minute
 4. Insulation resistance: 500MΩ Min
 5. Frequency range: DC up to 15GHz
 Vswr: 1.3 Max. at DC~3GHz
 Vswr: 1.35 Max. at 3~6GHz
 Vswr: 1.4 Max. at 6~9GHz
 Vswr: 1.45 Max. at 9~12GHz
 Vswr: 1.5 Max. at 12~15GHz
 6. Operating temperature: -40°C to +90°C

5

| ITEM | TITLE | MATERIAL/FINISH |
|------|----------|---------------------------------------|
| 1 | TERMINAL | COPPER ALLOY, PLATING Au |
| 2 | SHELL | COPPER ALLOY, PLATING Au |
| 3 | HOUSING | THERMOPLASTIC, COLOR: WHITE, UL 94V-0 |



| | |
|-------------------------------------|----------|
| SCALE: | UNIT: mm |
| SIZE: A4 | |
| Unless otherwise General Tolerance: | |
| X. | ±0.30 |
| X.x | ±0.20 |
| X.xx | ±0.15 |
| X.xxx | ±0.10 |
| Angles | ±3° |

| | | | |
|---|---------|----------|------------|
| Title: RF VII Receptacle Conn SMT 2.0×2.0×H0.53mm | | | |
| Molde Code: GT-RF7053A-01G | | | |
| DRAWN | CHECKED | APPROVED | DATE |
| Jiang | Xia | Chen | 2022.11.22 |

