

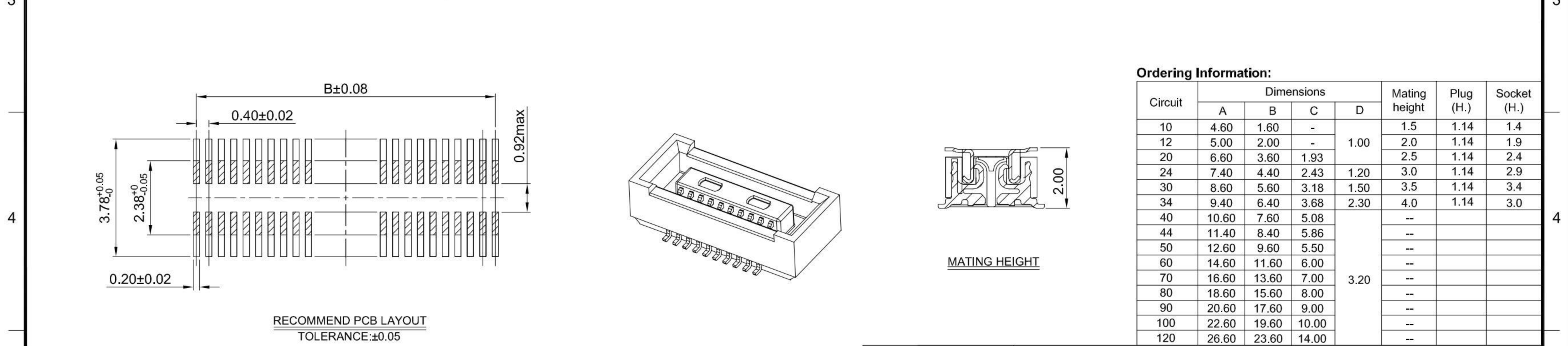
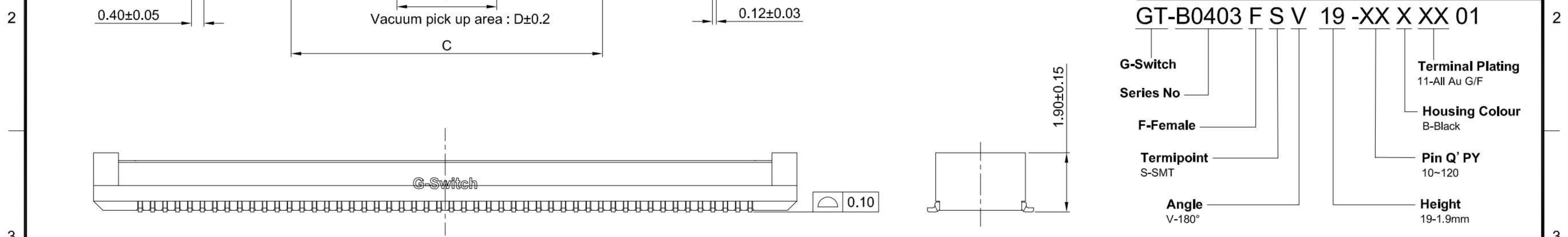
**G-Switch Specification:**

1. Current rated: 0.3A AC/DC
2. Voltage rating: 50V AC/DC
3. Withstanding voltage: 150V AC
4. Contact resistance: 90mΩ max
5. Insulation resistance: 1000MΩ min
6. Durability cycle: 30 Cycles
7. Removal force: 0.10kgf/Pin min
8. Operating temperature range: -55°C ~ +125°C



**GT-B0403 F S V 19 -XX X XX 01**

- G-Switch**
- Series No**
- F-Female**
- Termipoint S-SMT**
- Angle V-180°**
- Terminal Plating**  
11-All Au G/F
- Housing Colour**  
B-Black
- Pin Q' PY**  
10~120
- Height**  
19-1.9mm



**RECOMMEND PCB LAYOUT**  
TOLERANCE:±0.05

**Ordering Information:**

Circuit	Dimensions				Mating height	Plug (H.)	Socket (H.)
	A	B	C	D			
10	4.60	1.60	-	1.00	1.5	1.14	1.4
12	5.00	2.00	-		2.0	1.14	1.9
20	6.60	3.60	1.93	1.20	2.5	1.14	2.4
24	7.40	4.40	2.43		3.0	1.14	2.9
30	8.60	5.60	3.18	1.50	3.5	1.14	3.4
34	9.40	6.40	3.68	2.30	4.0	1.14	3.0
40	10.60	7.60	5.08		--	--	--
44	11.40	8.40	5.86	3.20	--	--	--
50	12.60	9.60	5.50		--	--	--
60	14.60	11.60	6.00		--	--	--
70	16.60	13.60	7.00		--	--	--
80	18.60	15.60	8.00		--	--	--
90	20.60	17.60	9.00		--	--	--
100	22.60	19.60	10.00		--	--	--
120	26.60	23.60	14.00		--	--	--

SCALE: 1:1 UNIT: mm		Title: BTB 0.40mm Pitch 180° H1.90mm Dual Rows SMT Type Female Connector		 品赞科技® www.dg-switch.com													
SIZE: A4		Molde Code: GT-B0403FSV19-XXXXX01															
Unless otherwise General Tolerance: X ±0.40 X.x ±0.30 X.xx ±0.20 X* ±5° X.x° ±3°		DRAWN	CHECKED	APPROVED	DATE												
<table border="1"> <tr> <td>NO.</td> <td>PART NAME</td> <td>MATERIAL</td> <td>REMARK</td> </tr> <tr> <td>2</td> <td>CONTACT</td> <td>HIGH CONDUCTIVITY COPPER</td> <td>ALL Au G/F</td> </tr> <tr> <td>1</td> <td>HOUSING</td> <td>LCP+30%GF,94V-0</td> <td>BLACK</td> </tr> </table>		NO.	PART NAME	MATERIAL	REMARK	2	CONTACT	HIGH CONDUCTIVITY COPPER	ALL Au G/F	1	HOUSING	LCP+30%GF,94V-0	BLACK	Hu	Chen	Chen	2022.12.28
NO.	PART NAME	MATERIAL	REMARK														
2	CONTACT	HIGH CONDUCTIVITY COPPER	ALL Au G/F														
1	HOUSING	LCP+30%GF,94V-0	BLACK														
		REV: A0	SHEET: 1/1														

