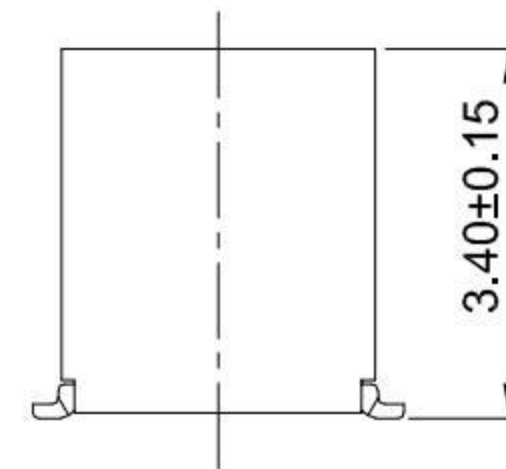
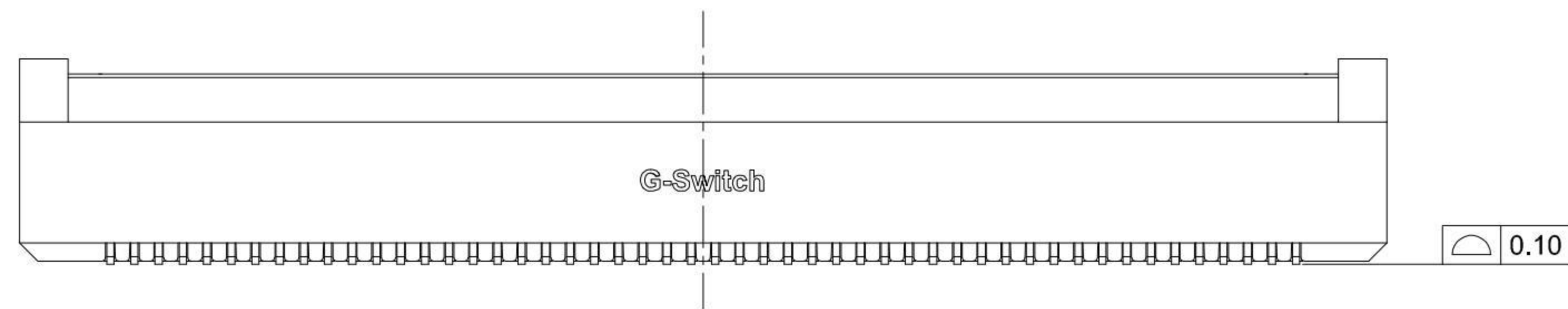
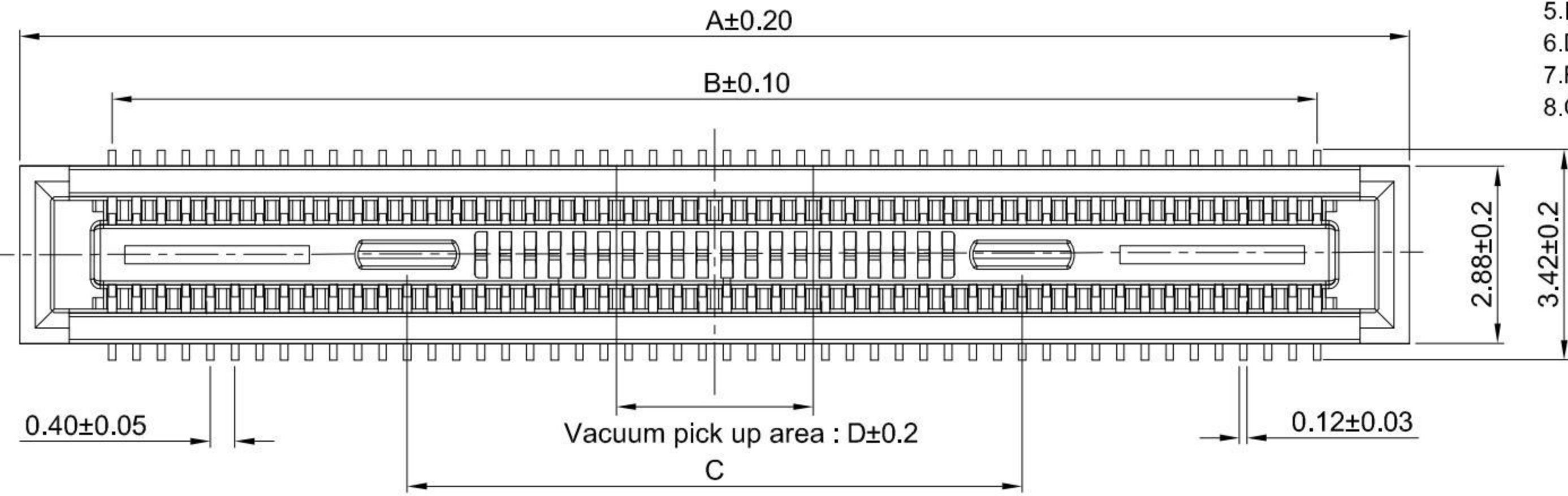


A B C D E

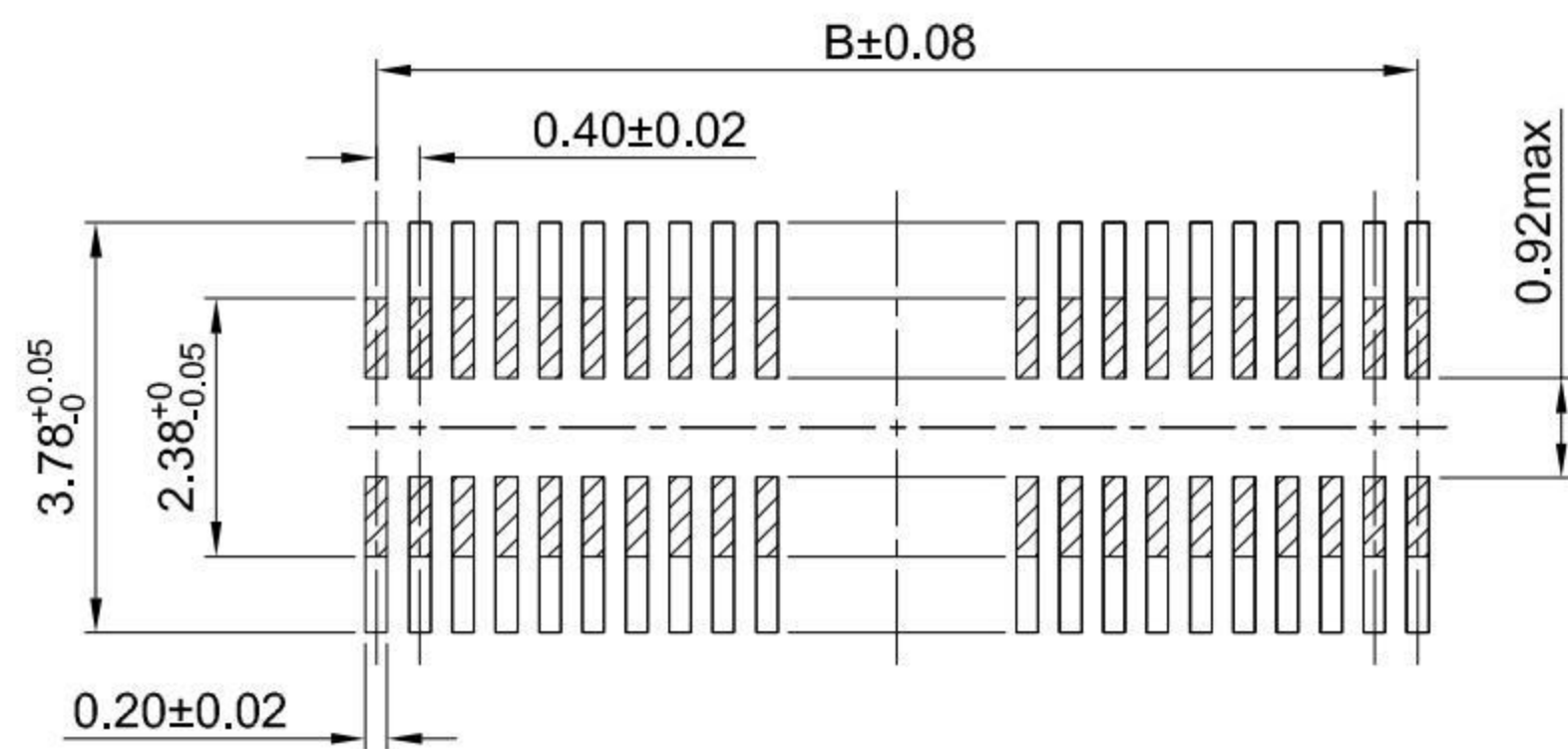
**G-Switch Specification:**

- 1.Current rated: 0.3A AC/DC
- 2.Voltage rating: 50V AC/DC
- 3.Withstanding voltage: 150V AC
- 4.Contact resistance: 90mΩ max
- 5.Insulation resistance: 1000MΩ min
- 6.Durability cycle: 30 Cycles
- 7.Removal force: 0.10kgf/Pin min
- 8.Operating temperature range: -55°C ~ +125°C

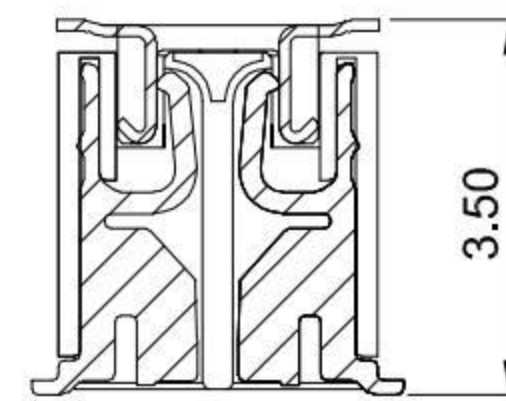
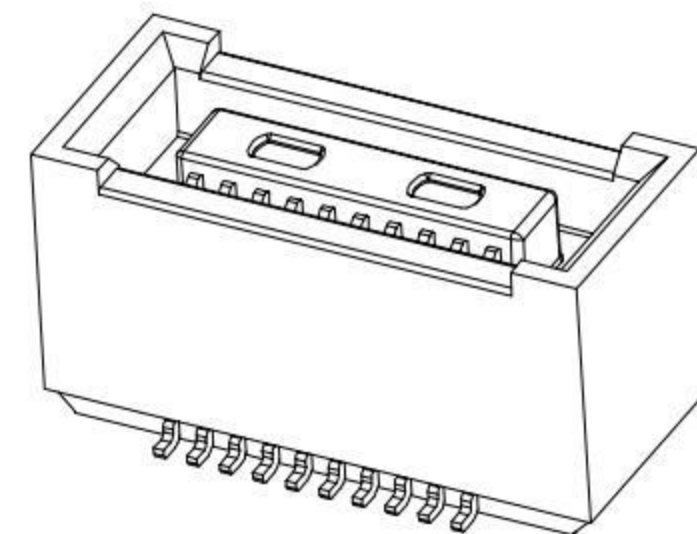


GT-B0403 F S V 34 -XX X XX 01

- G-Switch**
- Series No**
- F-Female**
- Termipoint**  
S-SMT
- Angle**  
V-180°
- Terminal Plating**  
11-All Au G/F
- Housing Colour**  
B-Black
- Pin Q' PY**  
10~120
- Height**  
34-3.4mm



RECOMMEND PCB LAYOUT  
TOLERANCE:±0.05



MATING HEIGHT

**Ordering Information:**

Circuit	Dimensions				Mating height	Plug (H.)	Socket (H.)
	A	B	C	D			
10	4.60	1.60	-	1.00	1.5	1.14	1.4
12	5.00	2.00	-		2.0	1.14	1.9
20	6.60	3.60	1.93	1.20	2.5	1.14	2.4
24	7.40	4.40	2.43		3.0	1.14	2.9
30	8.60	5.60	3.18	1.50	3.5	1.14	3.4
34	9.40	6.40	3.68	2.30	4.0	1.14	3.0
40	10.60	7.60	5.08	3.20	--		
44	11.40	8.40	5.86		--		
50	12.60	9.60	5.50		--		
60	14.60	11.60	6.00		--		
70	16.60	13.60	7.00		--		
80	18.60	15.60	8.00		--		
90	20.60	17.60	9.00		--		
100	22.60	19.60	10.00		--		
120	26.60	23.60	14.00		--		

SCALE: 1:1 UNIT: mm

SIZE: A4

Title: BTB 0.40mm Pitch 180° H3.40mm Dual Rows  
SMT Type Female Connector

Unless otherwise  
General Tolerance:

- X ±0.40
- X.x ±0.30
- X.xx ±0.20
- X° ±5°
- X.x° ±3°

Molde Code: GT-B0403FSV34-XXXXX01

DRAWN	CHECKED	APPROVED	DATE
Hu	Chen	Chen	2022.12.28



REV: A0 SHEET: 1/1

NO.	PART NAME	MATERIAL	REMARK
2	CONTACT	HIGH CONDUCTIVITY COPPER	ALL Au G/F
1	HOUSING	LCP+30%GF,94V-0	BLACK



A B C D E