

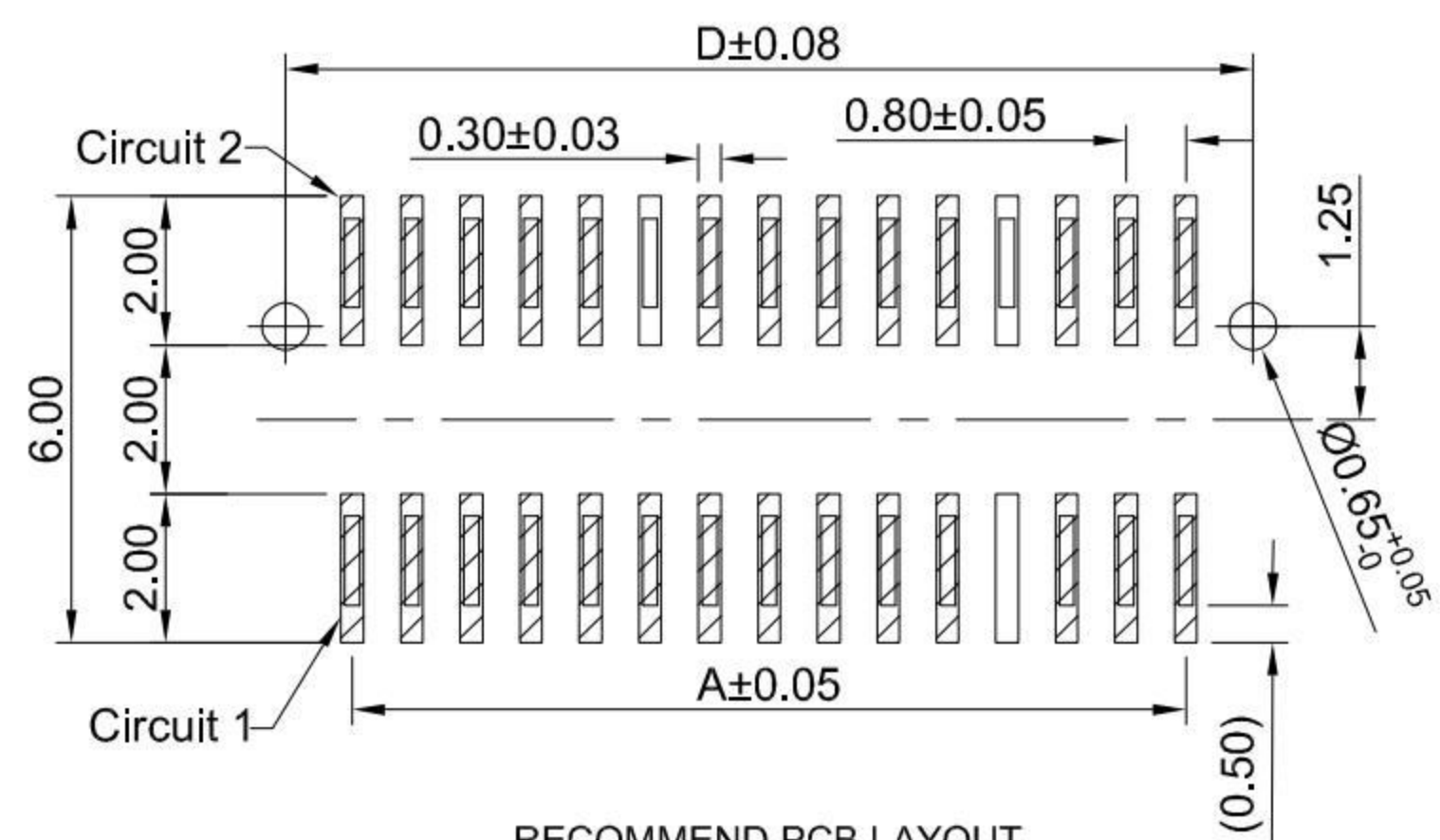
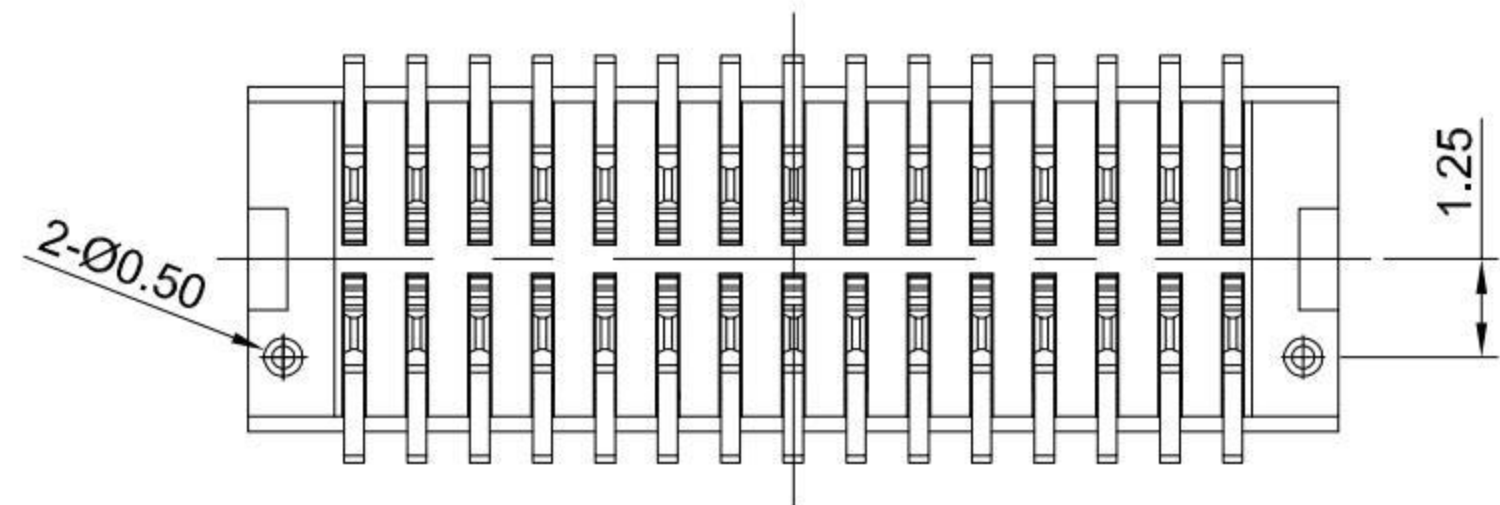
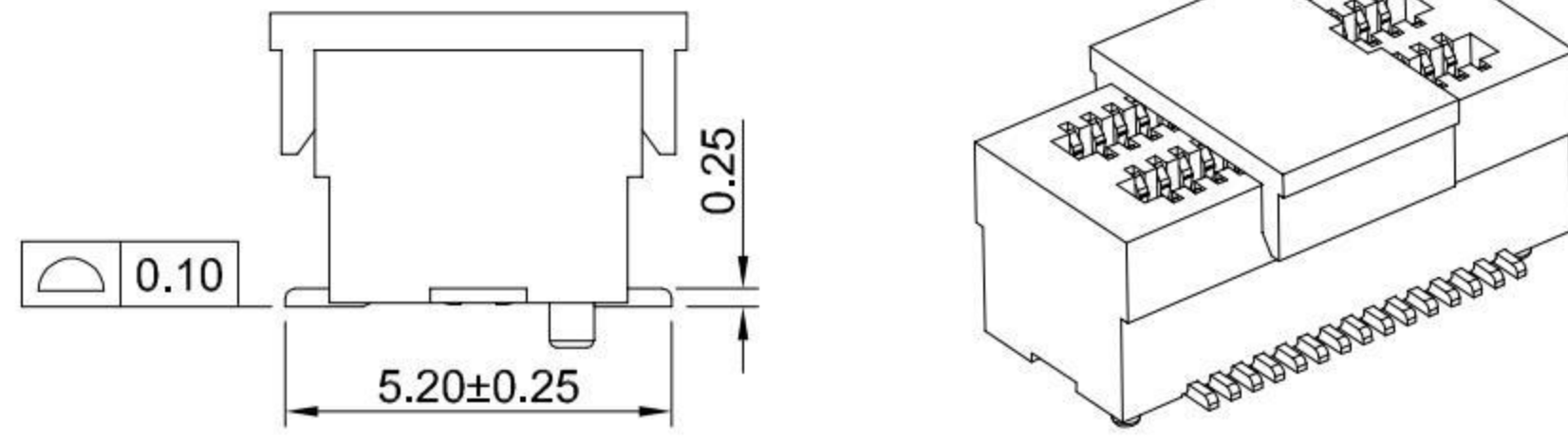
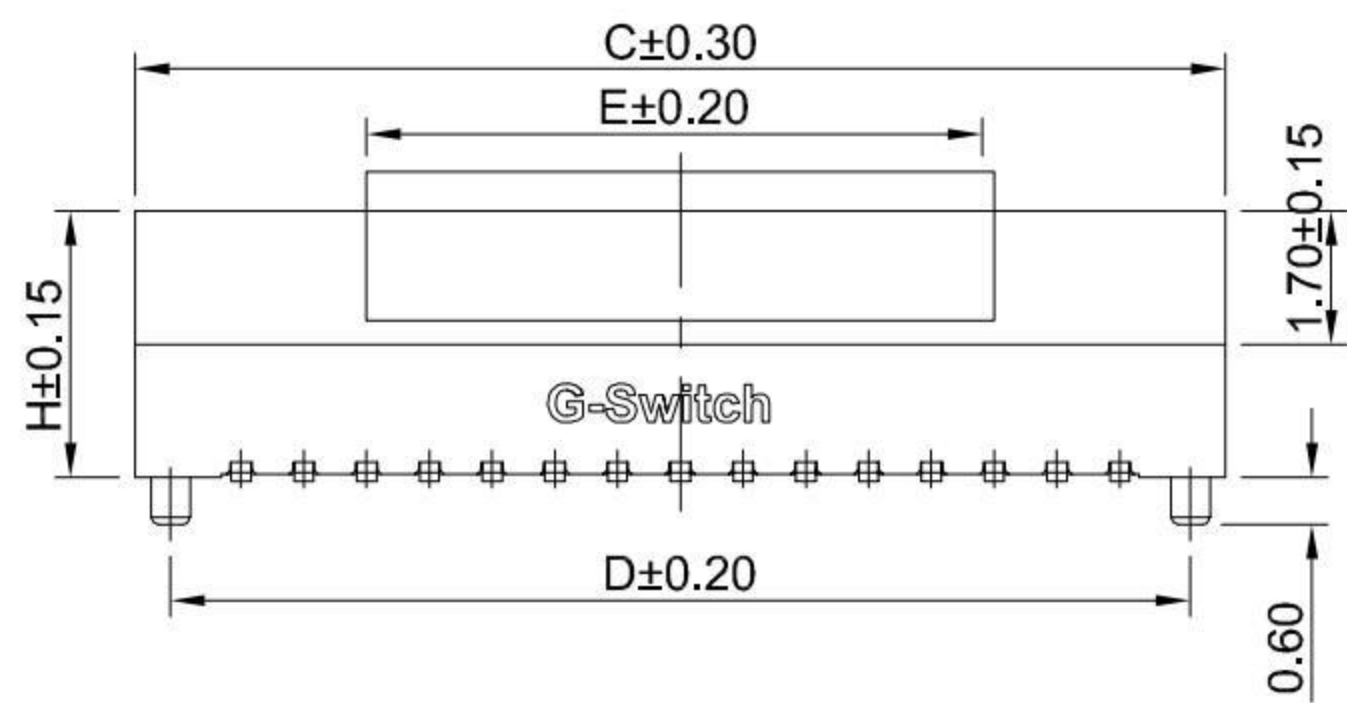
MATING HEIGHT	PLUG (H.mm)	SOCKET (H.mm)
3.0	0.8	2.2
3.5	1.3	2.2
4.0	1.0	3.0
4.5	1.0	3.5
5.0	1.0	4.0
5.5	1.0	4.5
6.0	2.0	4.0
6.5	2.0	4.5
7.0	4.0	3.0
7.5	4.0	3.5
8.0	4.0	4.0
8.5	4.0	4.5



GT-B0801 F S V XX -XX X XX 01

- G-Switch**
- Series No**
- F-Female**
- Termipoint S-SMT**
- ANGLE V-180°**
- Terminal Plating 11-ALL G/F**
- Housing Colour B-Black**
- Pin Q' PY 08~100**
- Height 30-3.00mm 35-3.50mm 40-4.00mm 45-4.50mm**

- G-Switch Specification:**
- Current rated: 0.5A AC/DC
 - Voltage rating: 50V AC/DC
 - Withstanding voltage: 500V AC
 - Contact resistance: 20mΩ Max.
 - Insulation resistance: 800MΩ min
 - Durability cycle: 30 Cycles
 - Removal force: 0.12kgf/Pin min
 - Operating temperature range: -40°C ~ +105°C



RECOMMEND PCB LAYOUT TOLERANCE:±0.05

Ordering Information:

Circuit	Dimensions(mm)					Circuit	Dimensions(mm)				
	A	B	C	D	E		A	B	C	D	E
08	2.40	3.50	5.10	4.20	4.00	32	12.00	13.10	14.70	13.80	8.00
10	3.20	4.30	5.90	5.00		34	12.80	13.90	15.50	14.60	
12	4.00	5.10	6.70	5.80		36	13.60	14.70	16.30	15.40	
14	4.80	5.90	7.50	6.60		38	14.40	15.50	17.10	16.20	
16	5.60	6.70	8.30	7.40		40	15.20	16.30	17.90	17.00	
18	6.40	7.50	9.10	8.20		44	16.80	17.90	19.50	18.60	
20	7.20	8.30	9.90	9.00		50	19.20	20.30	21.90	21.00	
22	8.00	9.10	10.70	9.80		60	23.20	24.30	25.90	25.00	
24	8.80	9.90	11.50	10.60		70	27.20	28.30	29.90	29.00	
26	9.60	10.70	12.30	11.40		80	31.20	32.30	33.90	33.00	
28	10.40	11.50	13.10	12.20	100	39.20	40.30	41.90	41.00		
30	11.20	12.30	13.90	13.00	---	---	---	---	---	---	



SCALE: 1:1 UNIT: mm
 SIZE: A4
 Unless otherwise General Tolerance:
 X ±0.40
 X.x ±0.30
 X.xx ±0.20
 X* ±5°
 X.x° ±3°

Title: BTB 0.80mm Pitch 180° Dual Rows SMT Type Female Connector
 Molde Code: GT-B0801FSVXX-XXXXX01
 DRAWN: Hu CHECKED: Chen APPROVED: Chen DATE: 2022.12.28



REV: A0 SHEET: 1/1