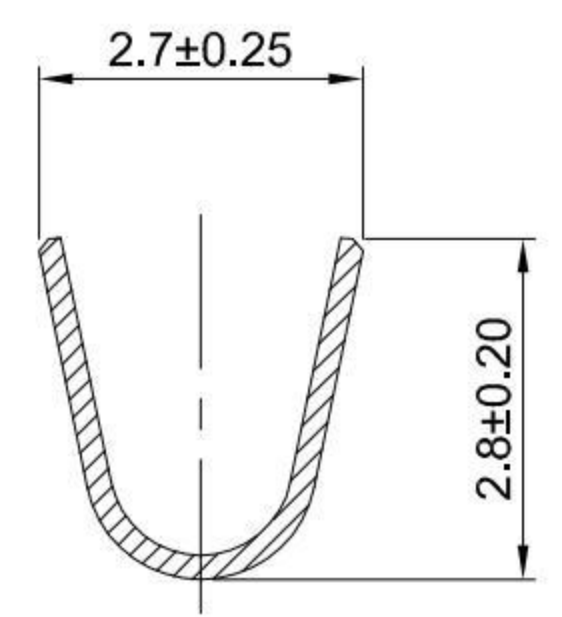


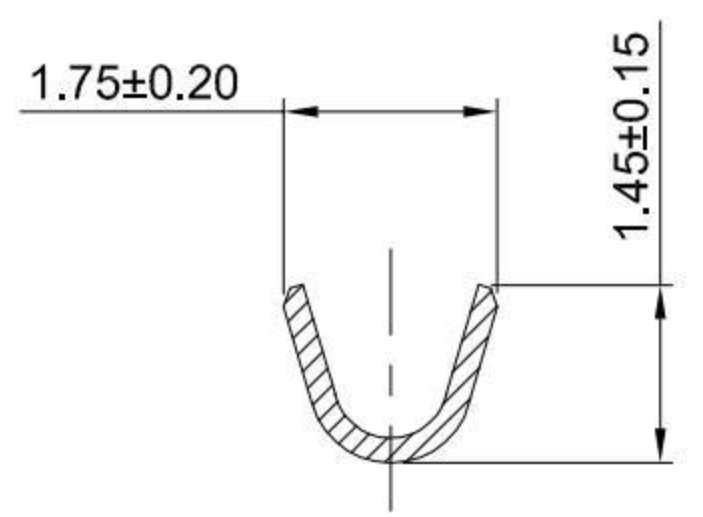
GT-A2501 T F -X XX 1

G-Switch
Series No
Connector T-Terminal

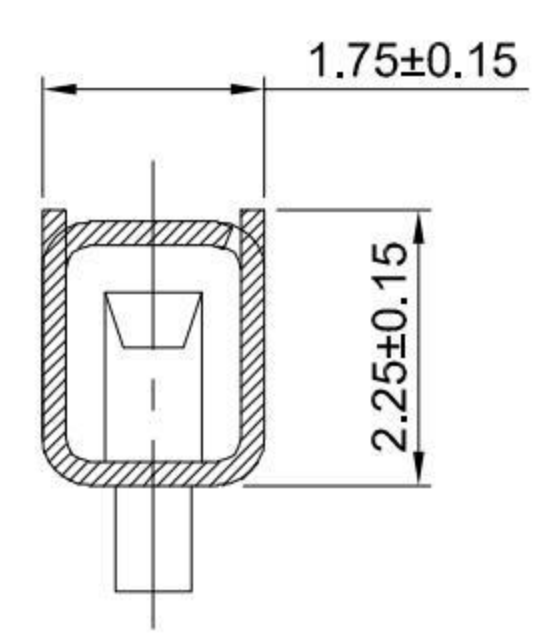
Terminal Plating BT-Bright Tin
Metal P-Phosphor Bronze
F-Female



SECION:A-A



SECION:B-B



SECION:C-C

G-Switch Specification:

- 1.Current rated: 3.0A AC/DC
- 2.Voltage rating: 250V AC/DC
- 3.Withstanding voltage: 800V AC
- 4.Contact resistance: 10mΩ max.
- 5.Insulation resistance: 1000MΩ min
- 6.Durability cycle: 50Cycles
- 7.Removal force: 1.50kgf/Pin min
- 8.Operating temperature range: -25°C ~ +85°C

GT-A2501TF-PBT1	Phosphor bronze	Bright Tin	AWG#22~#24	1.60mm(max)	7000
Part NO	Material	Plating	Wire Size	Insulation O.D	Reel/PCS



SCALE: 1:1	UNIT: mm
SIZE: A4	
Unless otherwise General Tolerance:	
X	±0.40
X.x	±0.30
X.xx	±0.20
X*	±5°
X.x°	±3°

Title: Terminal 2.50mm Pitch XH Crimp Style			
Molde Code: GT-A2501TF-XXX1			
DRAWN	CHECKED	APPROVED	DATE
Hu	Chen	Chen	2022.12.28



REV: A0 SHEET: 1/1