

A

B

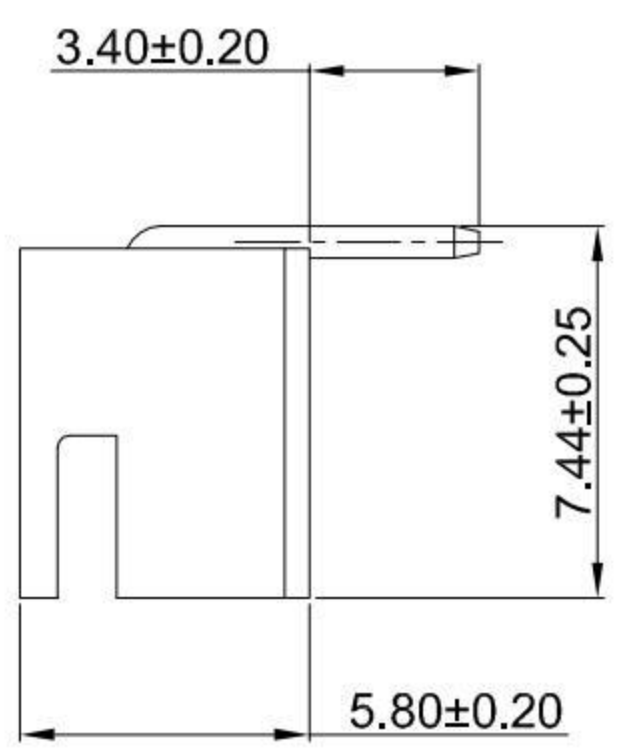
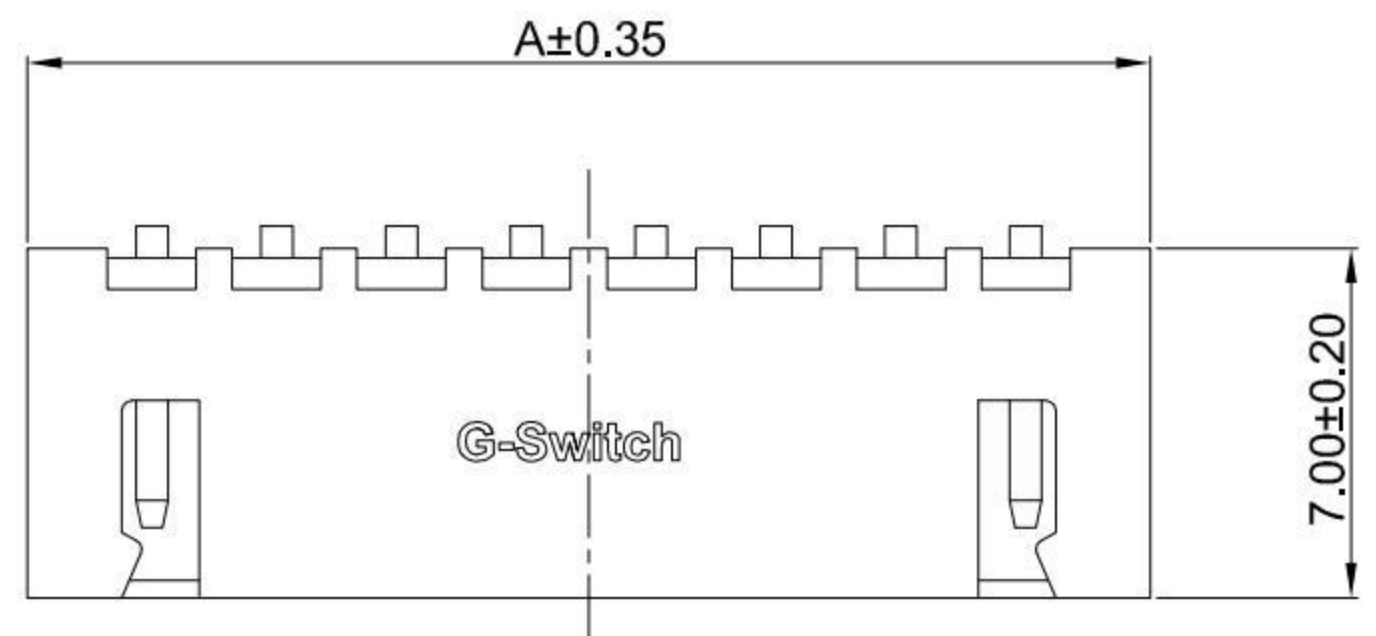
C

D

E

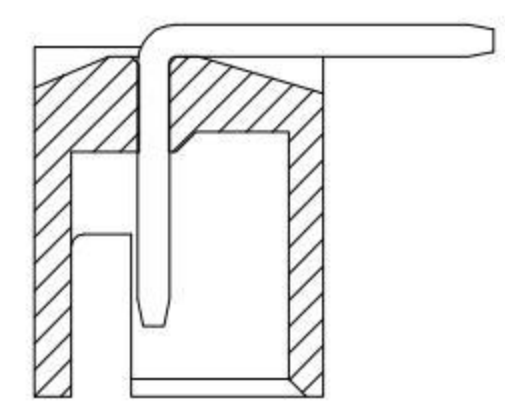
1

1

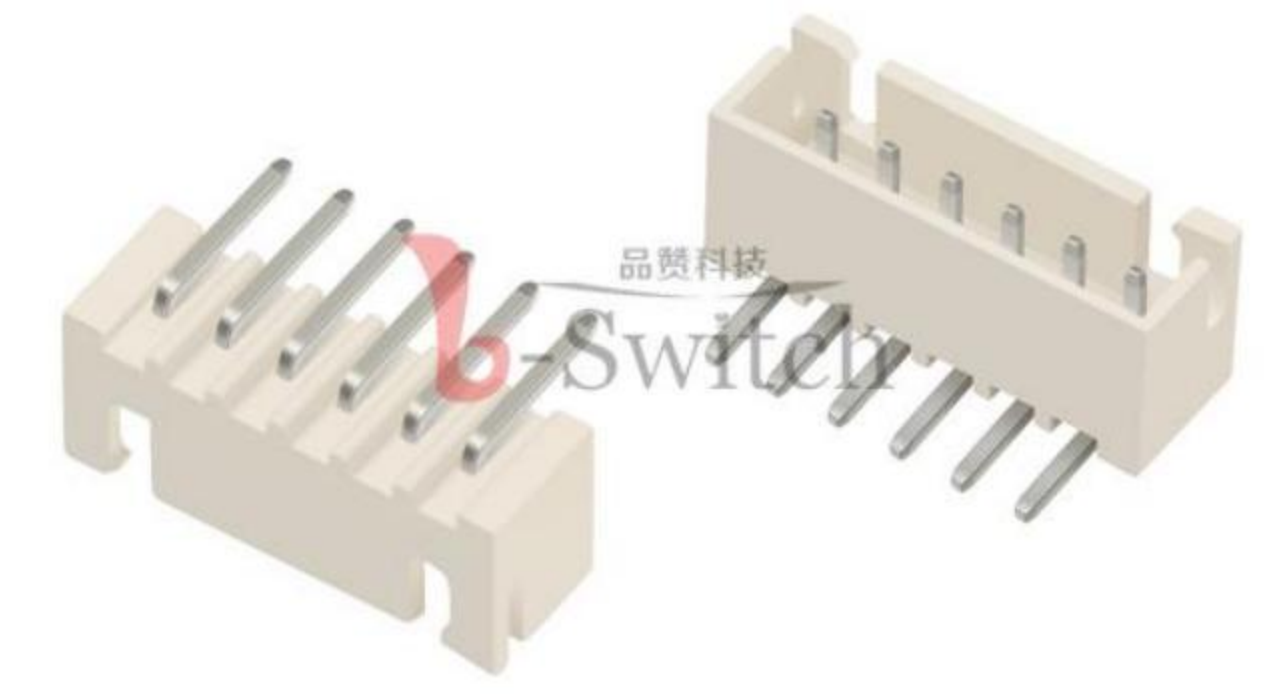


G-Switch Specification:

- 1.Current rated: 3.0A AC/DC
- 2.Voltage rating: 250V AC/DC
- 3.Withstanding voltage: 1000V AC
- 4.Contact resistance: 10mΩ max.
- 5.Insulation resistance: 1000MΩ min
- 6.Durability cycle: 30Cycles
- 7.Removal force: 1.20kgf/Pin min
- 8.Operating temperature range: -25°C ~ +85°C



SECTION A-A

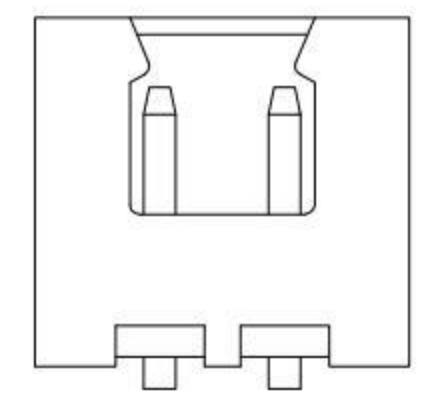
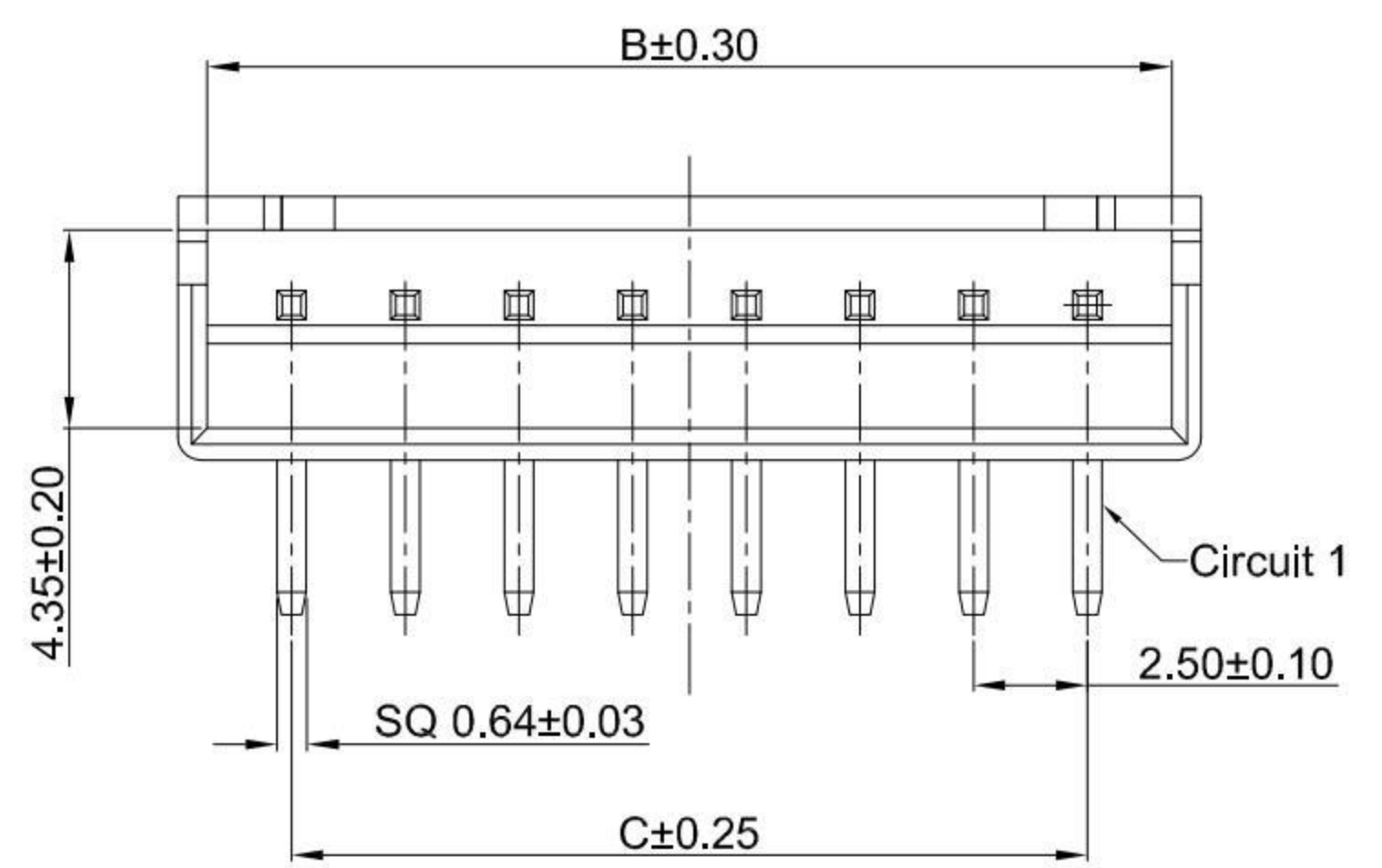


GT-A2501 W R D -1 XX X XX 01

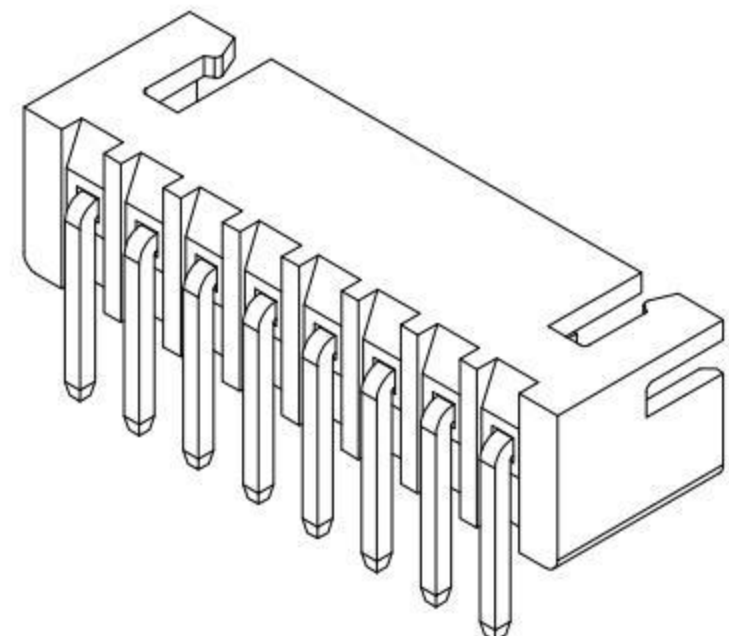
- G-Switch**
- Series No**
- Connector**
W-Wafer
- Angle**
R-90°
- Termpoint**
D-DIP
- Terminal Plating**
BT-Bright Tin
- Housing Colour**
W-White RoHS+HF
S-Beige RoHS
- Pin Q' PY**
02~16
- Row NO**
1-Single row

2

2

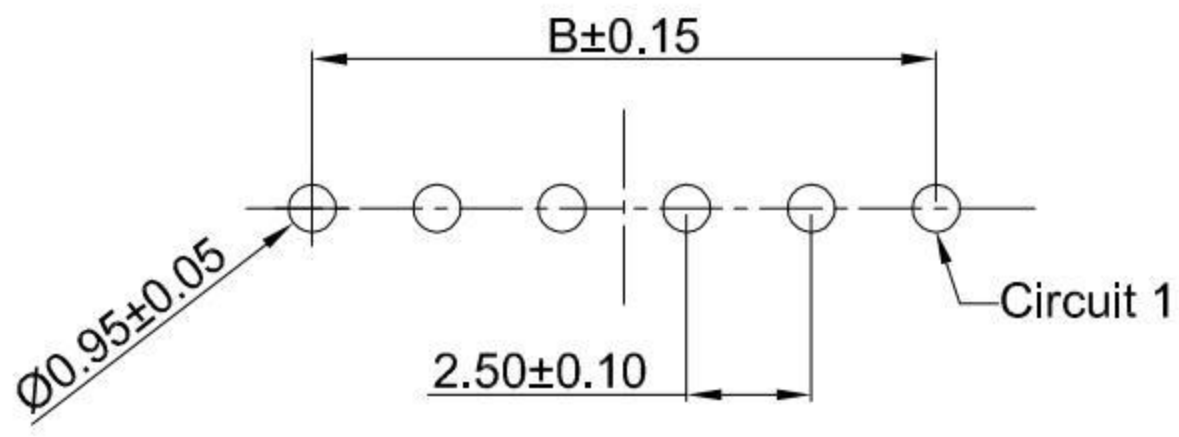


2Pin



3

3



RECOMMENDED PCB LAYOUT
TOLERANCE:±0.05

Ordering Information:

Circuit	Dimensions(mm)			Circuit	Dimensions(mm)		
	A	B	C		A	B	C
02	7.50	6.00	---	10	27.50	26.00	22.50
03	10.00	8.50	5.00	11	30.00	28.50	25.00
04	12.50	11.00	7.50	12	32.50	31.00	27.50
05	15.00	13.50	10.00	13	35.00	33.50	30.00
06	17.50	16.00	12.50	14	37.50	36.00	32.50
07	20.00	18.50	15.00	15	40.00	38.50	35.00
08	22.50	21.00	17.50	16	42.50	41.00	37.50
09	25.00	23.50	20.00	---	---	---	---

4

4

SCALE: 1:1 UNIT: mm
 SIZE: A4

Title: Wafer 2.50mm Pitch 90° XH DIP
 Type Connector

Unless otherwise
 General Tolerance:
 X ±0.40
 X.x ±0.30
 X.xx ±0.20
 X* ±5°
 X.x° ±3°

Molde Code: GT-A2501WRD-1XXXXX01

DRAWN	CHECKED	APPROVED	DATE
Hu	Hu	Chen	2022.12.28



REV: A0 SHEET: 1/1

5

5

2	PIN MATERIAL	BRASS	BRIGHT Tin
1	HOUSING	PA66,94V-0	WHITE/BEIGE
NO.	PART NAME	MATERIAL	REMARK

A

B

C

D

E