

A

B

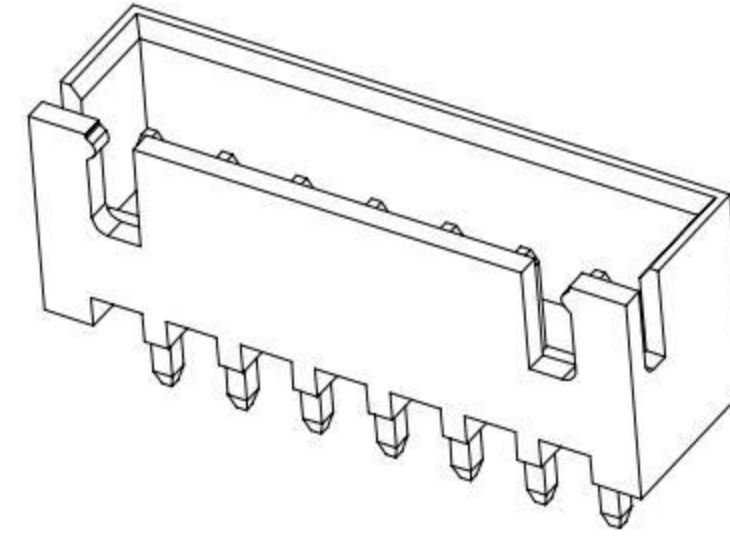
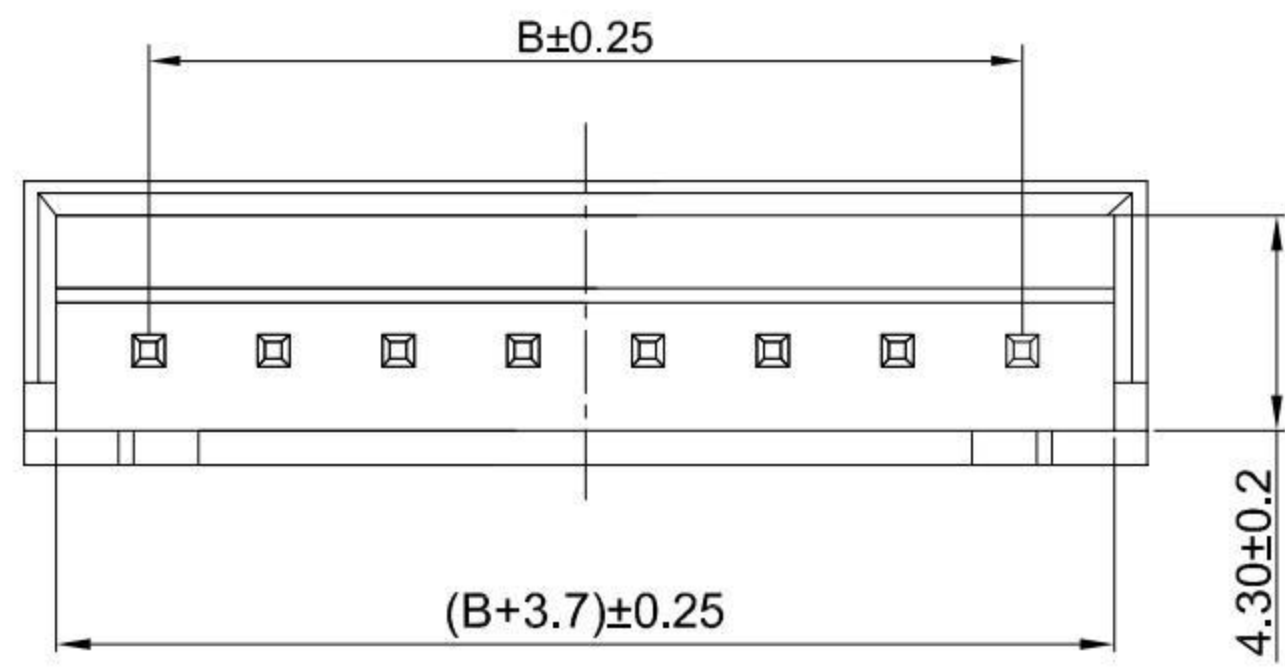
C

D

E

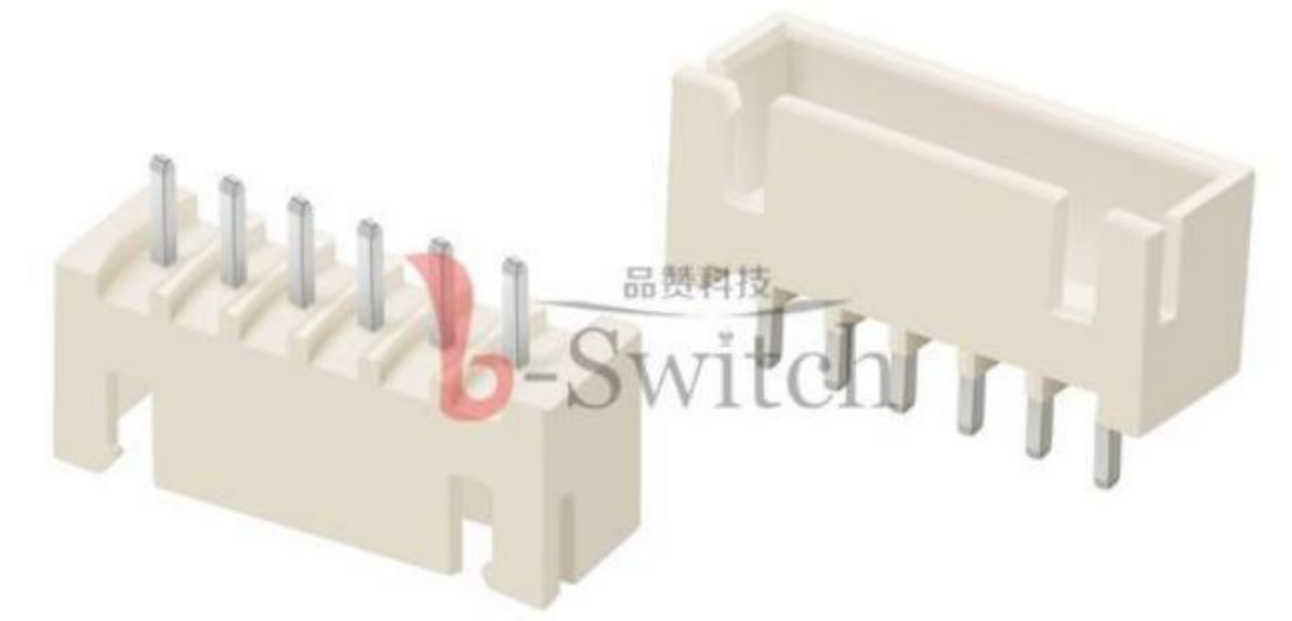
1

1



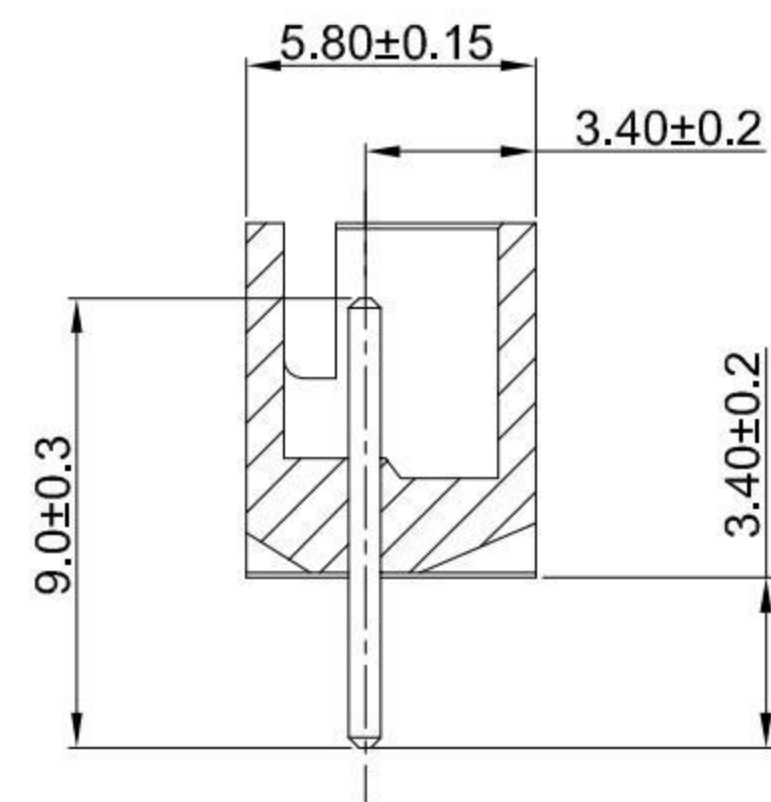
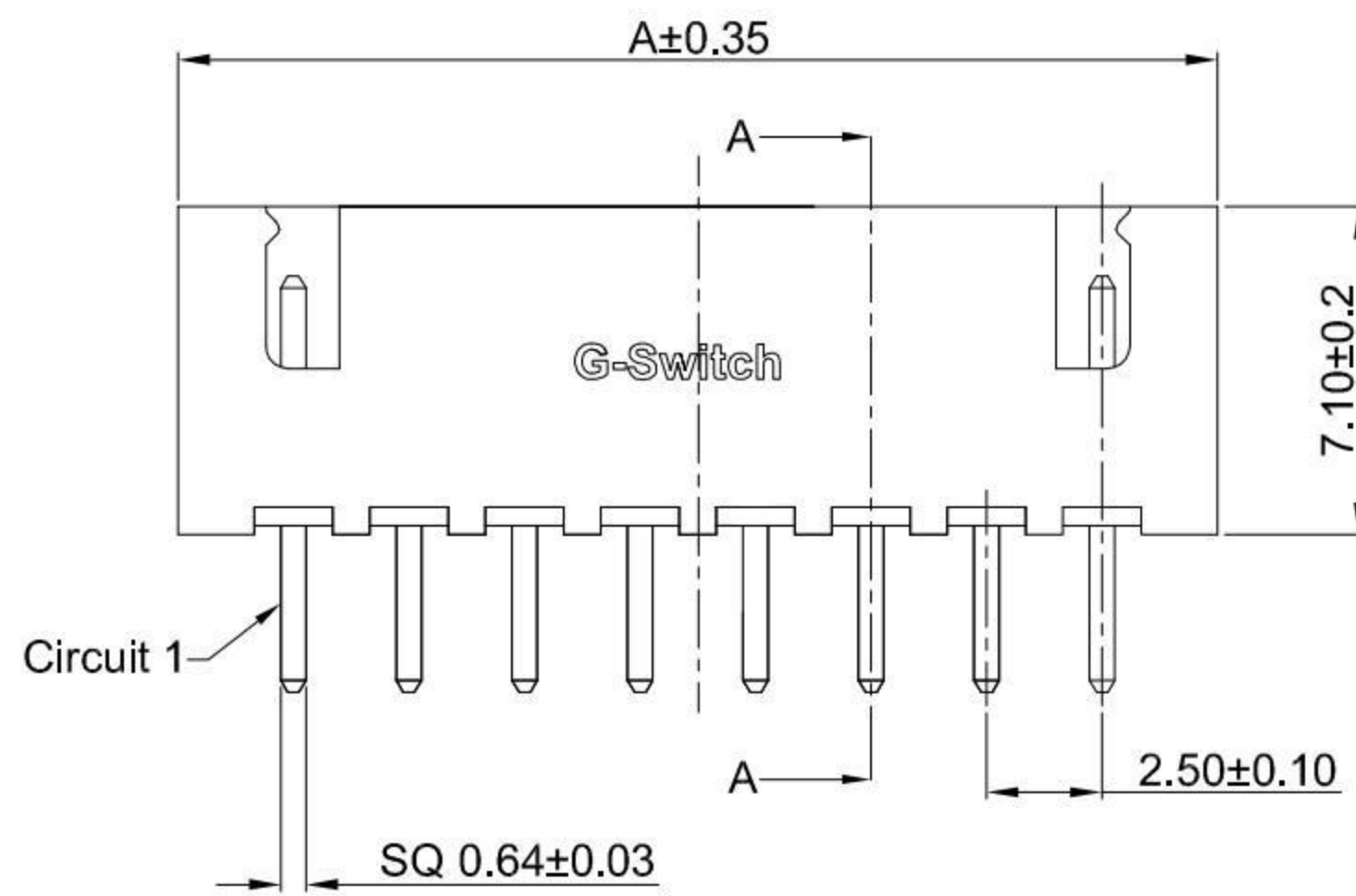
G-Switch Specification:

- 1.Current rated: 3.0A AC/DC
- 2.Voltage rating: 250V AC/DC
- 3.Withstanding voltage: 1000V AC
- 4.Contact resistance: 10mΩ max.
- 5.Insulation resistance: 1000MΩ min
- 6.Durability cycle: 30Cycles
- 7.Removal force: 1.20kgf/Pin min
- 8.Operating temperature range: -25°C ~ +85°C



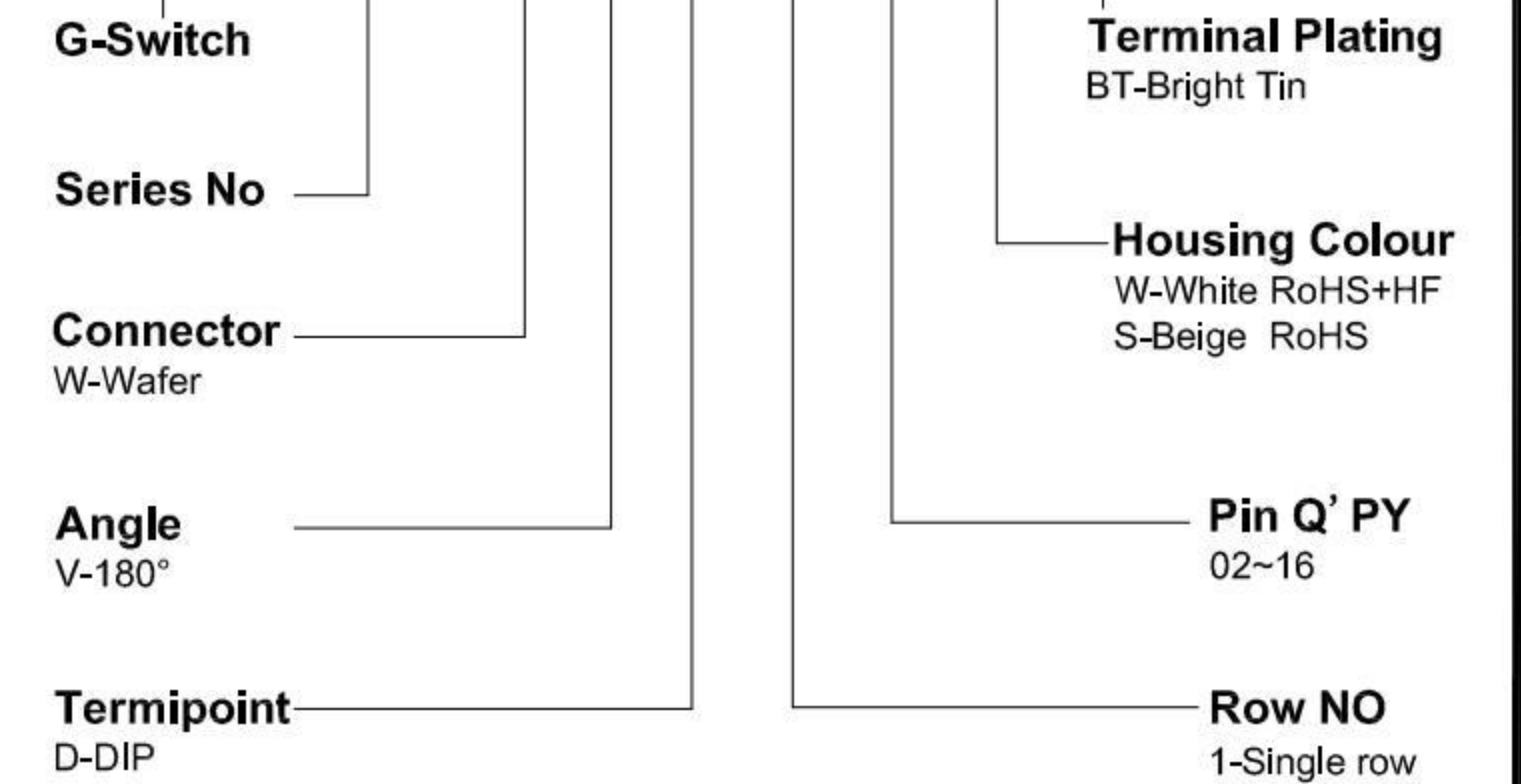
2

2



SECTION:A-A

GT-A2501 W V D -1 XX X XX 01



3

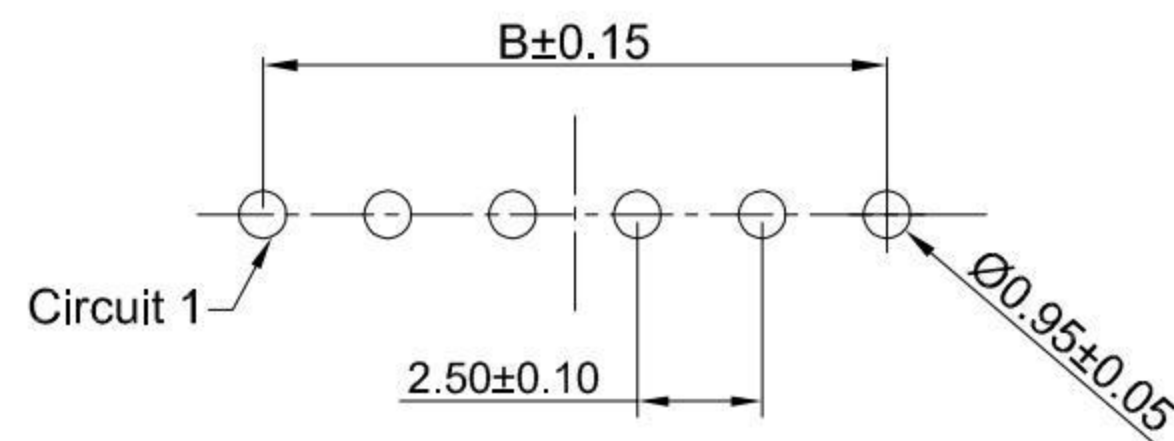
3

Ordering Information:

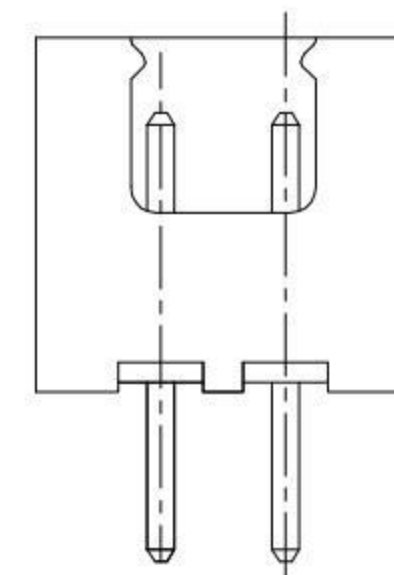
Circuit	Dimensions(mm)		Circuit	Dimensions(mm)	
	A	B		A	B
02	7.50	--	10	27.50	22.50
03	10.00	5.00	11	30.00	25.00
04	12.50	7.50	12	32.50	27.50
05	15.00	10.00	13	35.00	30.00
06	17.50	12.50	14	37.50	32.50
07	20.00	15.00	15	40.00	35.00
08	22.50	17.50	16	42.50	37.50
09	25.00	20.00	--	--	--

4

4



RECOMMENDED PCB LAYOUT
TOLERANCE:±0.05



2PIN

SCALE: 1:1 UNIT: mm
 SIZE: A4

Title: Wafer 2.50mm Pitch 180° XH DIP
 Type Connector

Unless otherwise
 General Tolerance:

X	±0.40
X.x	±0.30
X.xx	±0.20
X*	±5°
X.x°	±3°

Molde Code: GT-A2501WVD-1XXXXX01

DRAWN	CHECKED	APPROVED	DATE
Hu	Hu	Chen	2022.12.28



REV: A0 SHEET: 1/1

5

5

2	PIN MATERIAL	BRASS	BRIGHT Tin
1	HOUSING	PA66,94V-0	WHITE/BEIGE
NO.	PART NAME	MATERIAL	REMARK



A

B

C

D

E