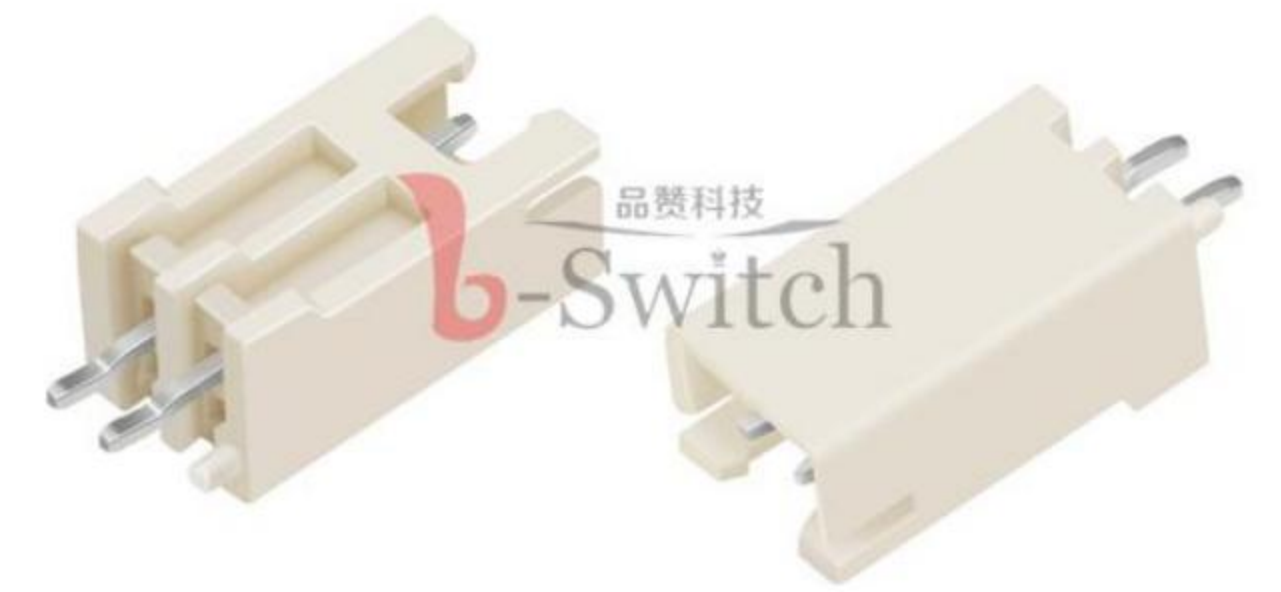


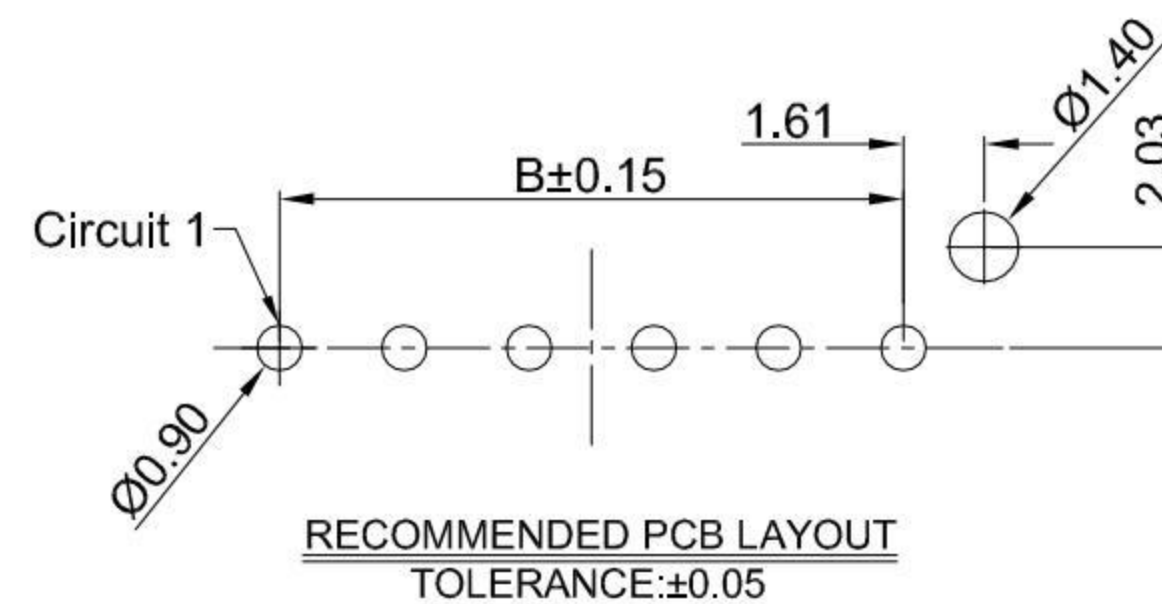
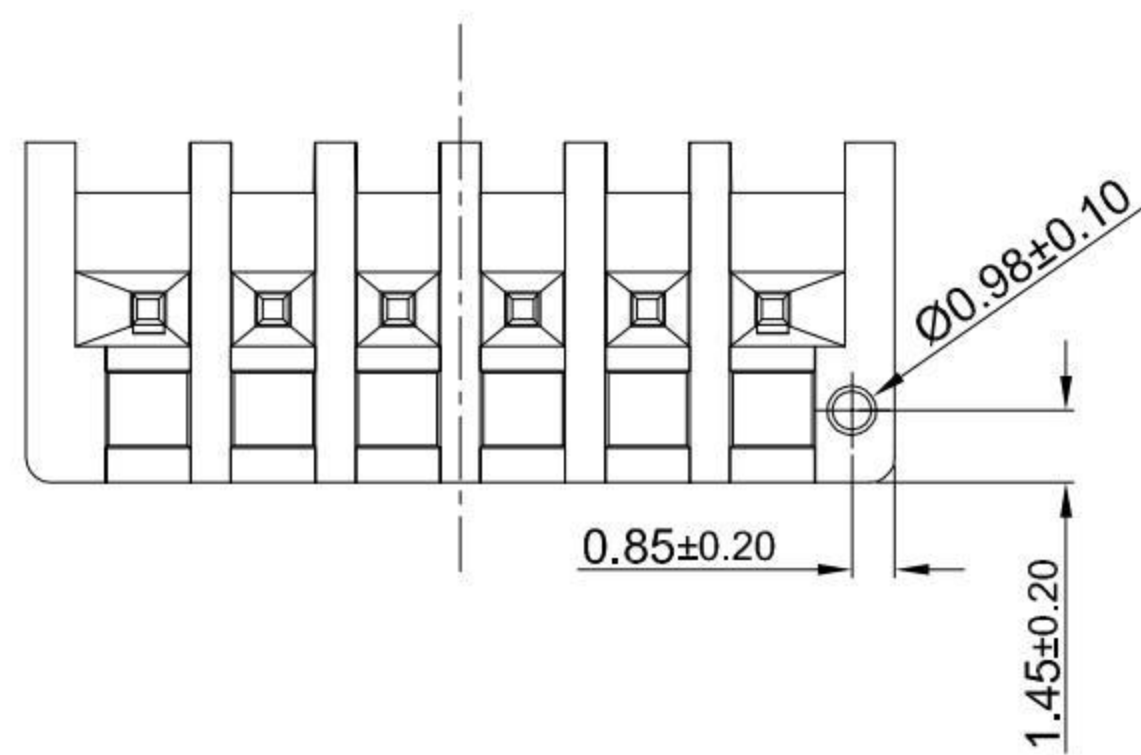
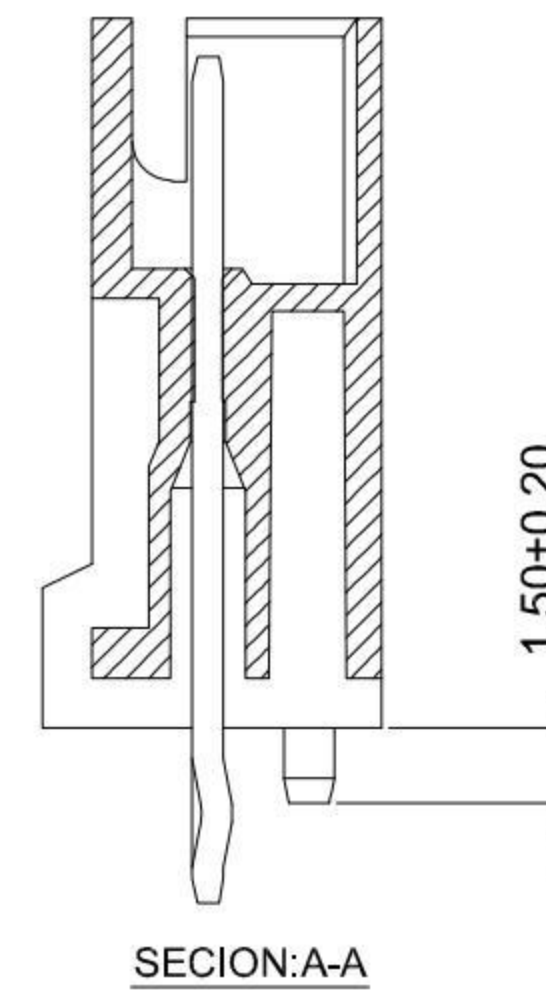
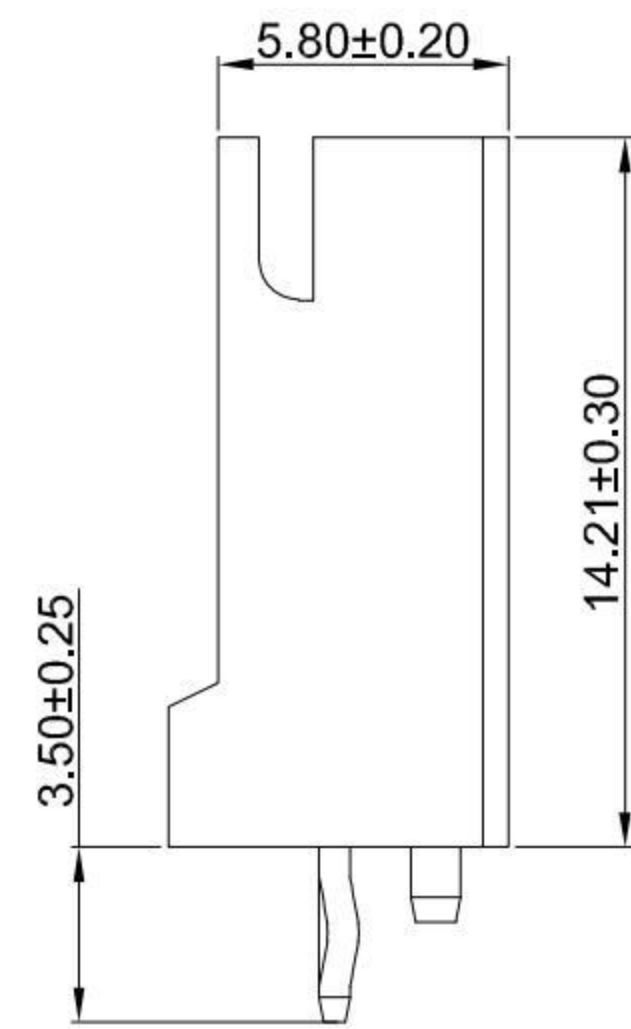
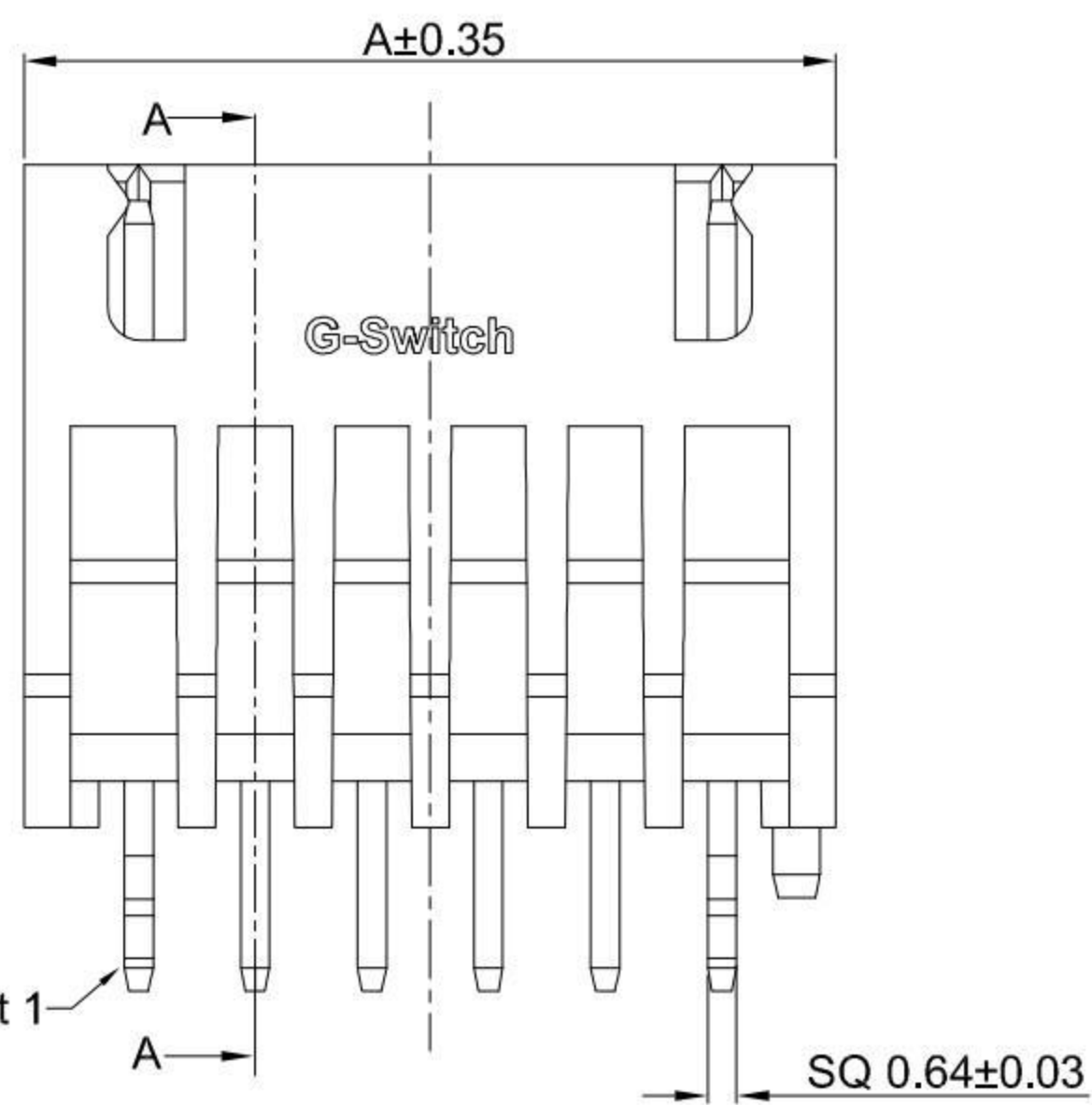
G-Switch Specification:

1. Current rated: 3.0A AC/DC
2. Voltage rating: 250V AC/DC
3. Withstanding voltage: 1000V AC
4. Contact resistance: 10mΩ max.
5. Insulation resistance: 1000MΩ min
6. Durability cycle: 30Cycles
7. Removal force: 1.20kgf/Pin min
8. Operating temperature range: -25°C ~ +85°C



GT-A2501 W V D 1-1 XX X XX 01

- G-Switch**
- Series No**
- Connector**
W-Wafer
- Angle**
V-180°
- Termpoint**
D-DIP
- Terminal Plating**
BT-Bright Tin
- Housing Colour**
W-White
- Pin Q' PY**
02~16
- Row NO**
1-Single row
- Type**
1-Type 1



Ordering Information:

Circuit	Dimensions(mm)		Circuit	Dimensions(mm)	
	A	B		A	B
02	7.40	---	10	27.40	22.50
03	9.90	5.00	11	29.90	25.00
04	12.40	7.50	12	32.40	27.50
05	14.90	10.00	13	34.90	30.00
06	17.40	12.50	14	37.40	32.50
07	19.90	15.00	15	39.90	35.00
08	22.40	17.50	16	42.40	37.50
09	24.90	20.00	---	---	---

2	PIN MATERIAL	BRASS	BRIGHT Tin
1	HOUSING	PA66,94V-0	WHITE
NO.	PART NAME	MATERIAL	REMARK



SCALE: 1:1 UNIT: mm
 SIZE: A4

Title: Wafer Pitch 2.50mm 180° XH DIP High Type Connector

Molde Code: GT-A2501WVD1-1XXXXX01

DRAWN	CHECKED	APPROVED	DATE
Hu	Hu	Chen	2022.12.28



REV: A0 SHEET: 1/1