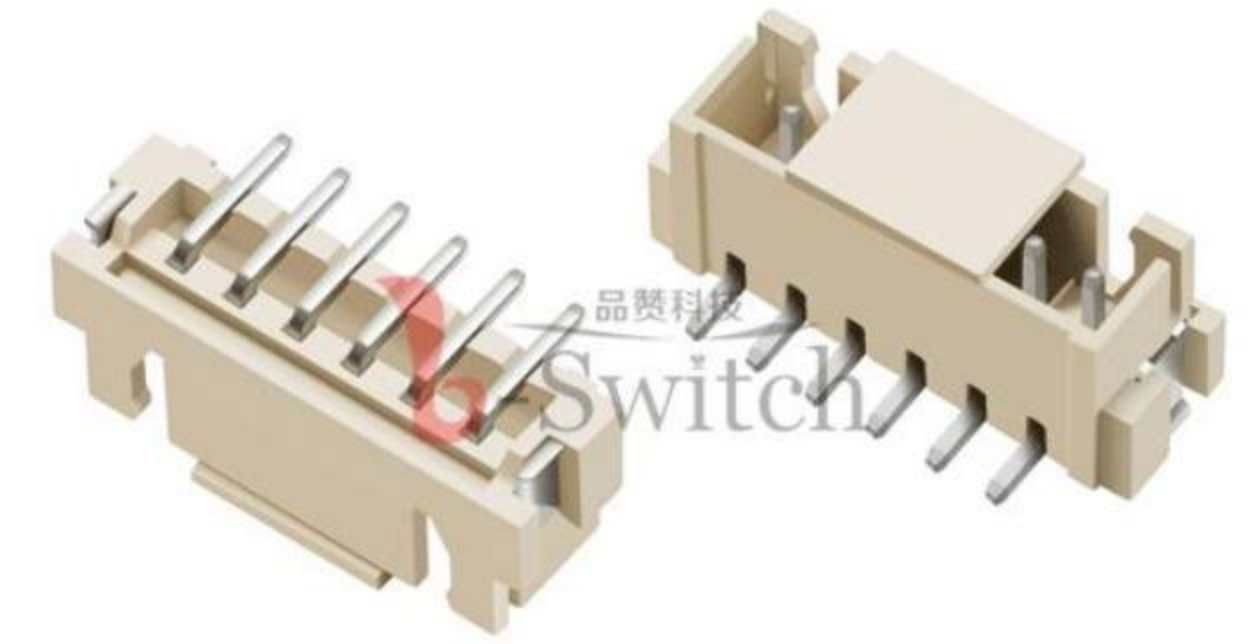


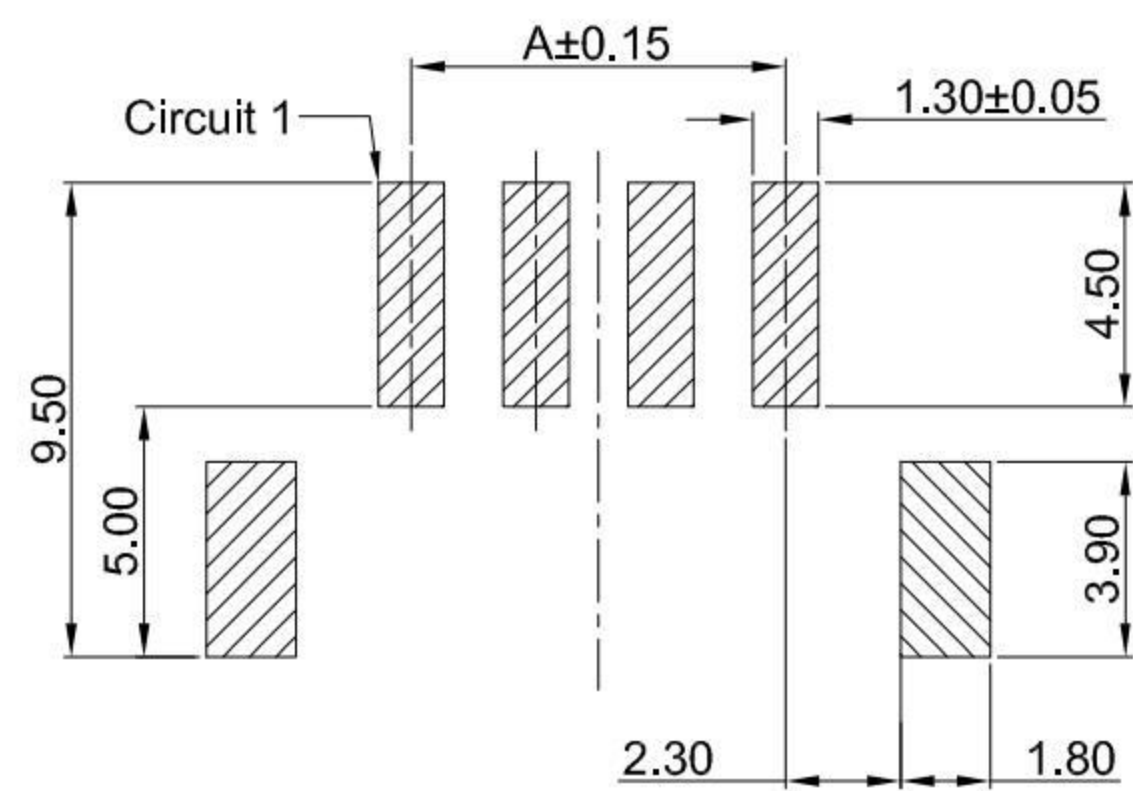
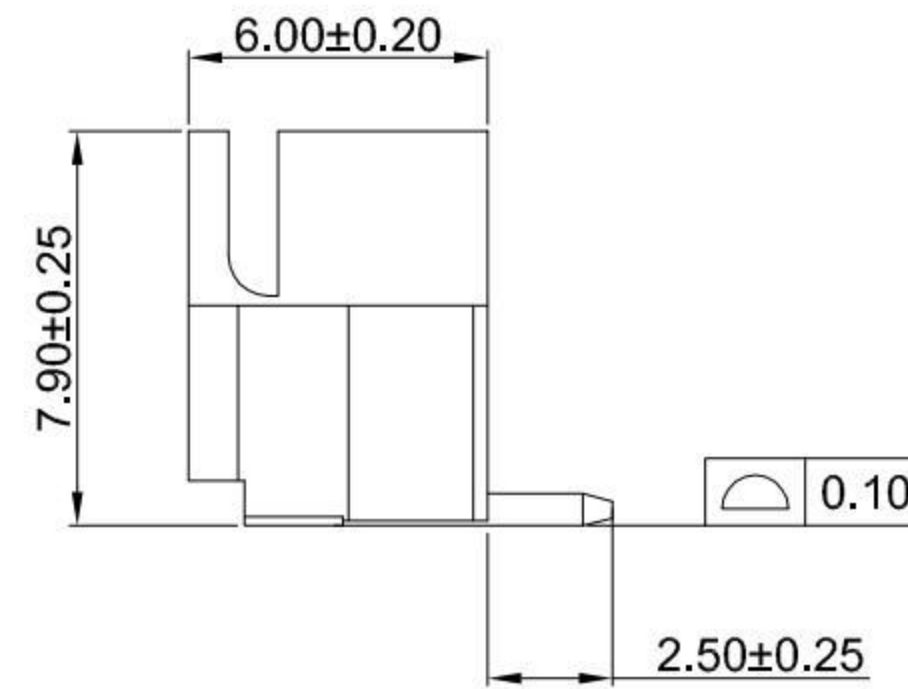
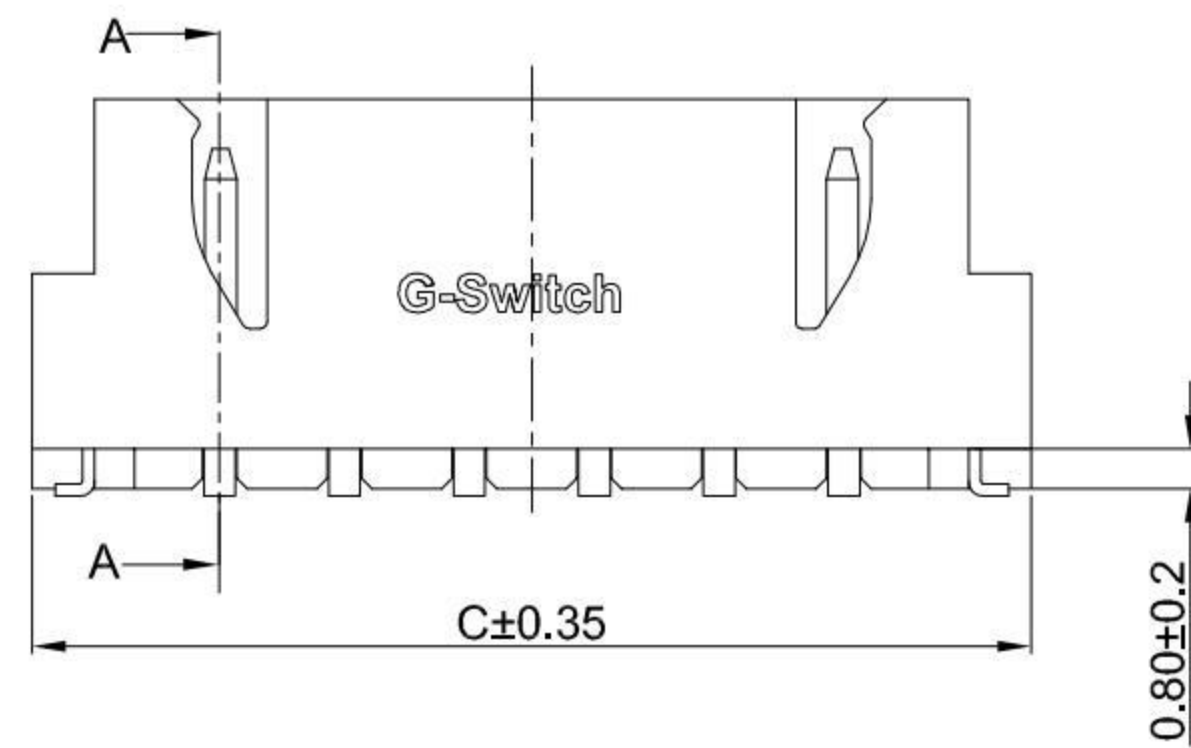
**G-Switch Specification:**

- 1.Current rated: 3.0A AC/DC
- 2.Voltage rating: 250V AC/DC
- 3.Withstanding voltage: 1000V AC
- 4.Contact resistance: 10mΩ max.
- 5.Insulation resistance: 1000MΩ min
- 6.Durability cycle: 30Cycles
- 7.Removal force: 1.50kgf/Pin min
- 8.Operating temperature range: -25°C ~ +85°C

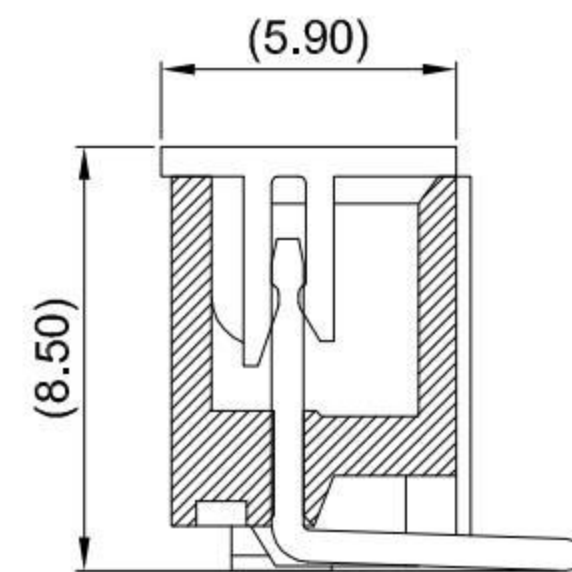


**GT-A2501 W V S-1 XX X XX 01**

- G-Switch**
- Series No**
- Connector**  
W-Wafer
- Angle**  
V-180°
- Termipoint**  
S-SMT
- Terminal Plating**  
BT-Bright Tin
- Housing Colour**  
S-Nature
- Pin Q' PY**  
02~16
- Row NO**  
1-Single row



**RECOMMENDED PCB LAYOUT**  
TOLERANCE:±0.05



**SECION:A-A**

**Ordering Information:**

Circuit	Dimensions(mm)			Circuit	Dimensions(mm)		
	A	B	C		A	B	C
02	5.90	---	10.00	10	25.90	22.50	30.00
03	8.40	5.00	12.50	11	28.40	25.00	32.50
04	10.90	7.50	15.00	12	30.90	27.50	35.00
05	13.40	10.00	17.50	13	33.40	30.00	37.50
06	15.90	12.50	20.00	14	35.90	32.50	40.00
07	18.40	15.00	22.50	15	38.40	35.00	42.50
08	20.90	17.50	25.00	16	40.90	37.50	45.00
09	23.40	20.00	27.50	---	---	---	---

4	SOLDER TABS	PHOSPHOR BRONZE	BRIGHT Tin
3	PIN MATERIAL	BRASS	BRIGHT Tin
2	CAP	LCP,94V-0	NATURE
1	HOUSING	LCP,94V-0	NATURE
NO.	PART NAME	MATERIAL	REMARK

SCALE: 1:1 UNIT: mm  
SIZE: A4

Title: Wafer Pitch 2.50mm 180° XH  
SMT Type Connector

Unless otherwise  
General Tolerance:

X	±0.40
X.x	±0.30
X.xx	±0.20
X*	±5°
X.x°	±3°

Molde Code: GT-A2501WVS-1XXXXX01

DRAWN	CHECKED	APPROVED	DATE
Hu	Hu	Chen	2022.12.28



REV: A0 SHEET: 1/1

