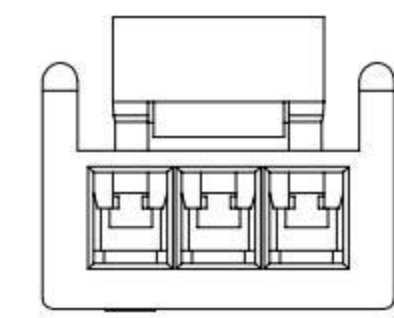


02Pin



3-4Pin



GT-A1257 H M -1 XX X 01

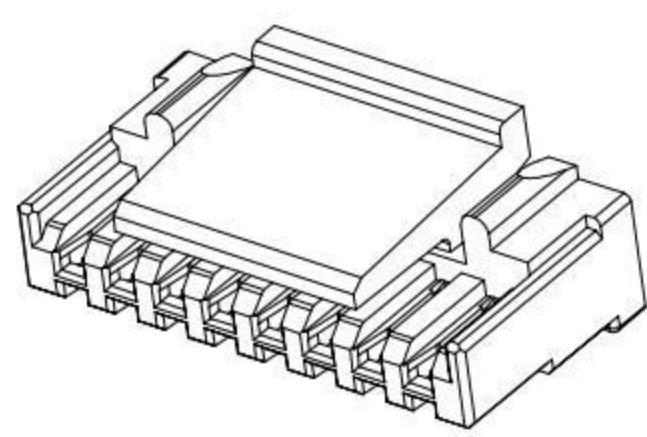
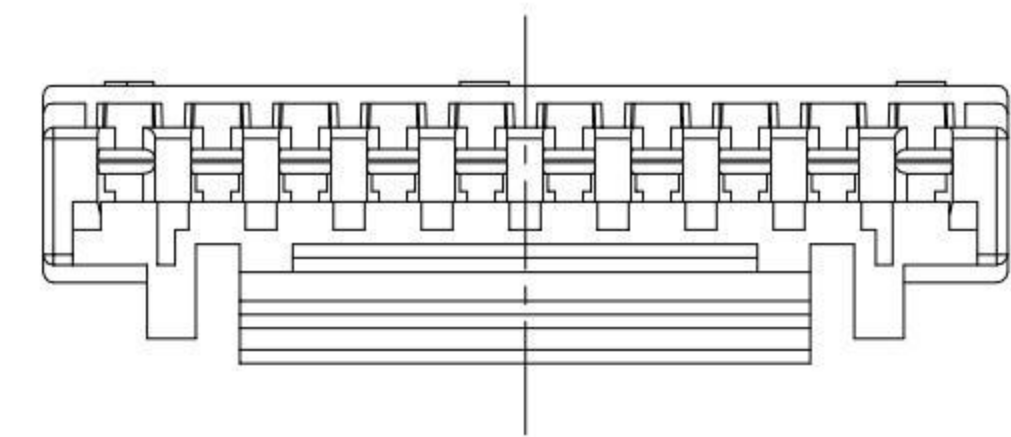
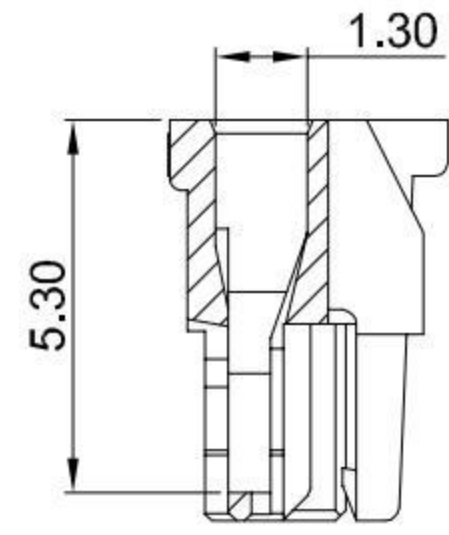
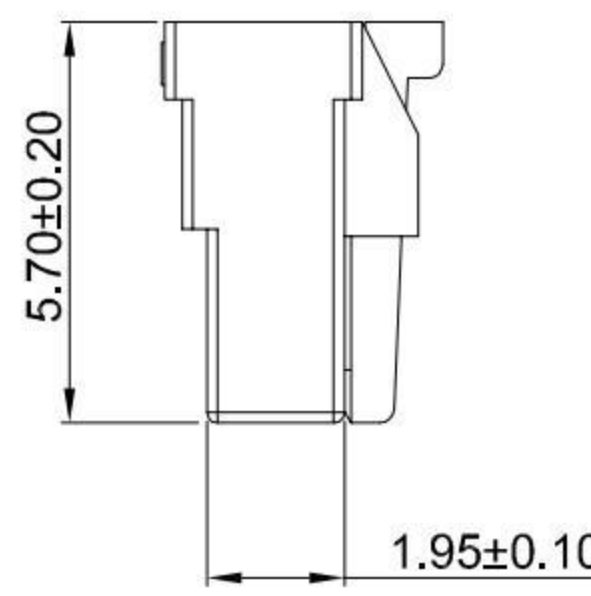
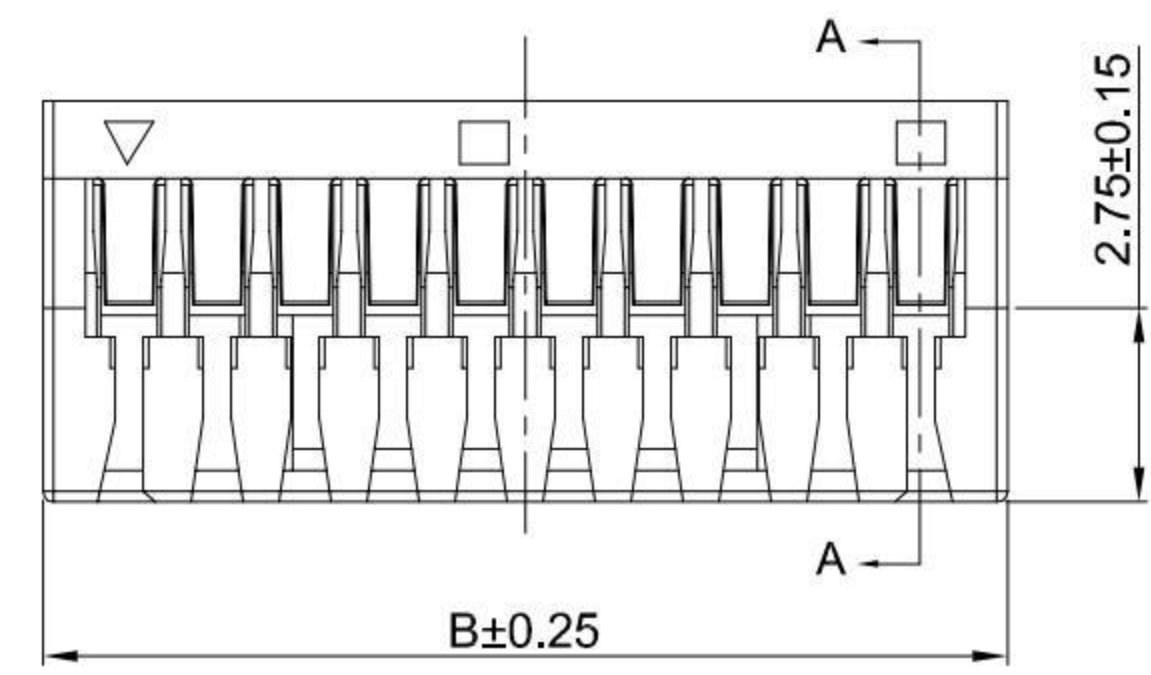
- G-Switch**
- Series No**
- Connector**
H-Housing
- M-Male**
- Housing Colour**
W-White
- Pin Q' PY**
02~16
- Row NO**
1-Single Row

G-Switch Specification:

- 1.Current rated: 1.0A AC/DC
- 2.Voltage rating: 50V AC/DC
- 3.Withstanding voltage: 500V AC
- 4.Contact resistance: 30mΩ max.
- 5.Insulation resistance: 100MΩ min
- 6.Durability cycle: 30Cycles
- 7.Removal force: 0.50kgf/Pin min
- 8.Operating temperature range: -25°C ~ +85°C

Ordering Information:

Circuit	Dimensions(mm)		Circuit	Dimensions(mm)	
	A	B		A	B
02	—	3.75	10	11.25	13.75
03	2.50	5.00	11	12.50	15.00
04	3.75	6.25	12	13.75	16.25
05	5.00	7.50	13	15.00	17.50
06	6.25	8.75	14	16.25	18.75
07	7.50	10.00	15	17.50	20.00
08	8.75	11.25	16	18.75	21.25
09	10.00	12.50	---	---	---



SCALE: 1:1 UNIT: mm
 SIZE: A4

Title: Housing 1.25mm Pitch GH Single Row Male

Unless otherwise
 General Tolerance:
 X ±0.40
 X.x ±0.30
 X.xx ±0.20
 X° ±5°
 X.x° ±3°

Molde Code: GT-A1257HM-1XXX01

DRAWN	CHECKED	APPROVED	DATE
Hu	Hu	Chen	2021.10.20



REV: A0 SHEET: 1/1

NO.	PART NAME	MATERIAL	REMARK
1	HOUSING	PA66,94V-0	WHITE

