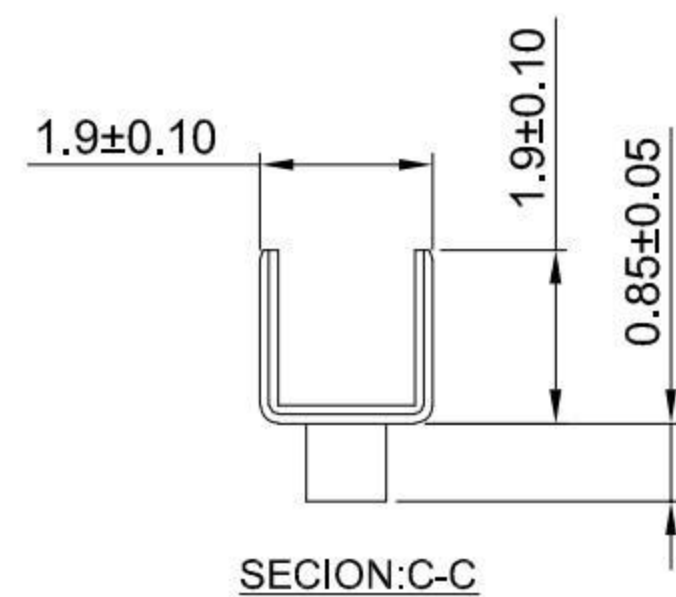
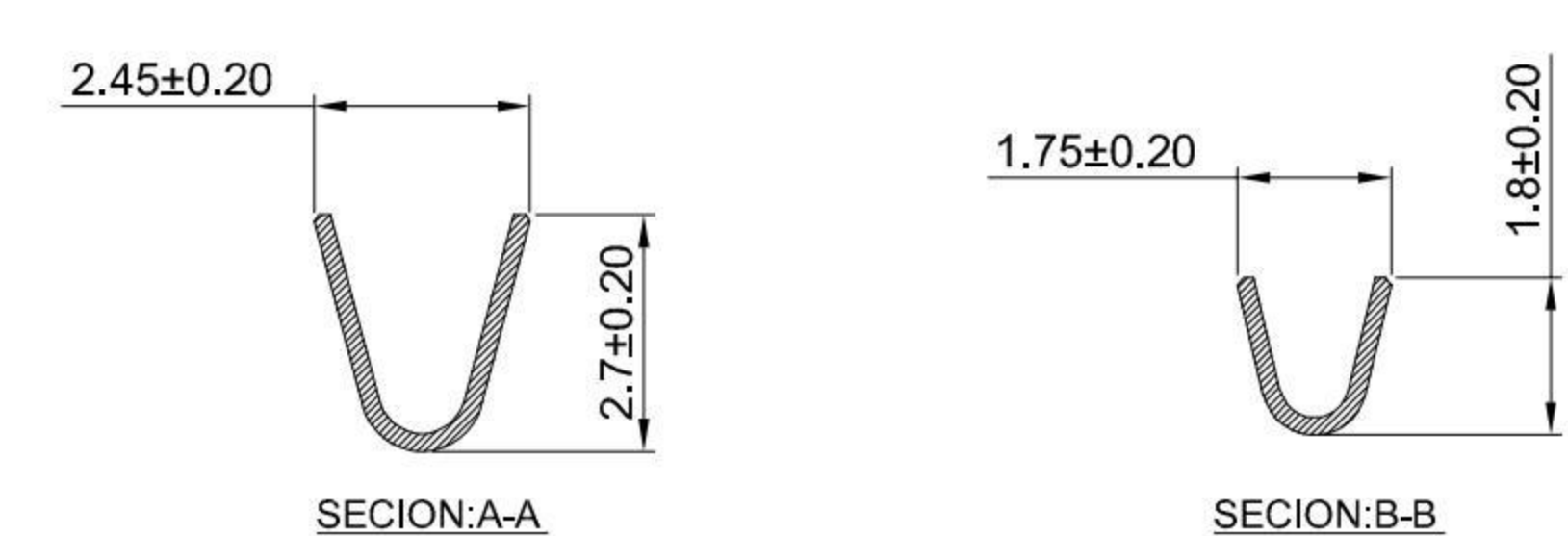


GT-A2509 T M -X XX 1

G-Switch
Series No
Connector
Terminal Plating
 BT-Bright Tin
Metal
 P-Phosphor Bronze
M-Male
 T-Terminal



- G-Switch Specification:**
- 1.Current rated: 3.0A AC/DC
 - 2.Voltage rating: 250V AC/DC
 - 3.Withstanding voltage: 800V AC
 - 4.Contact resistance: 10mΩ max.
 - 5.Insulation resistance: 1000MΩ min
 - 6.Durability cycle: 50Cycles
 - 7.Removal force: 1.20kgf/Pin min
 - 8.Operating temperature range: -25°C ~ +85°C

GT-A2501TF-PBT1	Phosphor bronze	Bright Tin	AWG#22~#24	1.60mm(Max)	10000
Part NO	Material	Plating	Wire Size	Insulation O.D	Reel/PCS



SCALE: 1:1	UNIT: mm
SIZE: A4	
Unless otherwise General Tolerance:	
X	±0.40
X.x	±0.30
X.xx	±0.20
X°	±5°
X.x°	±3°

Title: Terminal 2.50mm Pitch XH Crimp Style			
Molde Code: GT-A2509TF-XXX1			
DRAWN	CHECKED	APPROVED	DATE
Hu	Chen	Chen	2022.12.28



REV: A0 SHEET: 1/1