

## GT-HD001A-F X X GX

### DETAIL

A=19pin AF 前插后贴 无柱

### Shell Material

C=Copper alloy  
F=Ferroalloy

### Shell Plating

N=Ni  
G=Gold

### Housing Colour

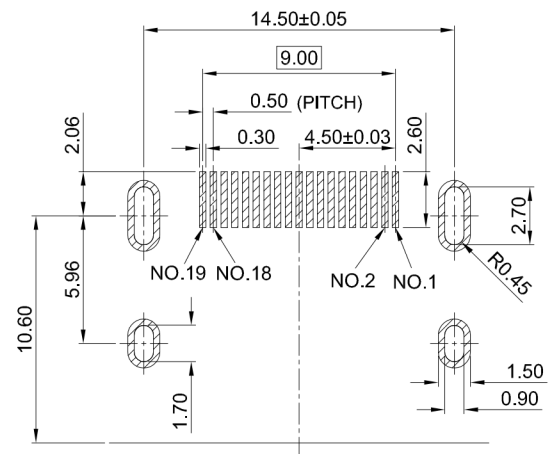
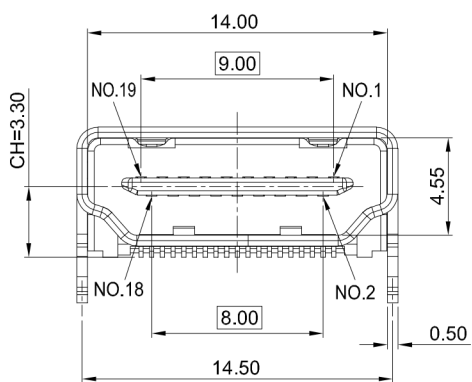
N=Black  
B=Blue

### Terminal Plating

G0=G/F  
G1=1u  
G3=3u  
G5=5u

### G-Switch HDMI Specification:

- 1.Current rated: 1A
- 2.Withstanding voltage: 500V AC/minute
- 3.Contact resistance: 100mΩ Max
- 4.Insulation resistance: 100MΩ Min(after mating10MΩ Min)
- 5.Operating temperature: -40°C ~ +85°C
- 6.Mating force: 44.1N Max
- 7.Unmating force: 9.8N~39.2N,After durability: 3N~25N
- 8.Durability cycle:5,000 cycles



RECOMMENDED PCB LAYOUT  
TOLERANCE:±0.05

SCALE: 1:1 UNIT: mm  
SIZE: A4

Unless otherwise  
General Tolerance:  
X.x ±0.30  
X.xx ±0.20  
X.xxx ±0.10  
X\* ±3°

Title: Horizontal HDMI 19P Female  
SMT CH=3.3 L=11.65mm

Molde Code: GT-HD0001A-XXXGX

DRAWN	CHECKED	APPROVED	DATE
Xia	Chen	Chen	2023.02.01



REV: A0 SHEET: 1/1

1	SHELL	SPCC	Ni PLATED
2	HOUSING	LCP	BLACK UL94V-0
3	TERMINALS	COPPER ALLOY C2680	Au PLATING ON CONTACT AREA
NO.	PARTS	MATERIAL	REMARKS

