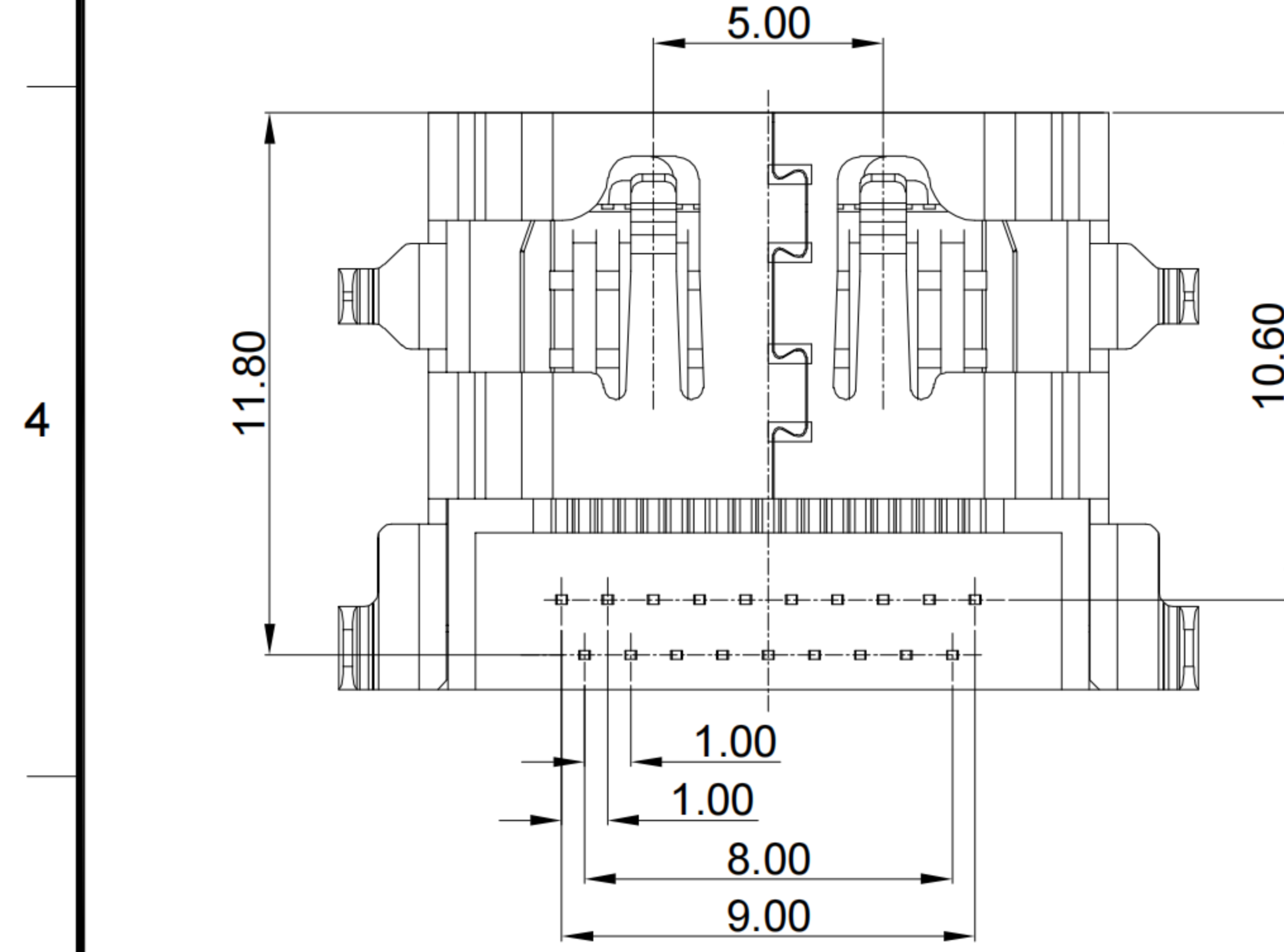
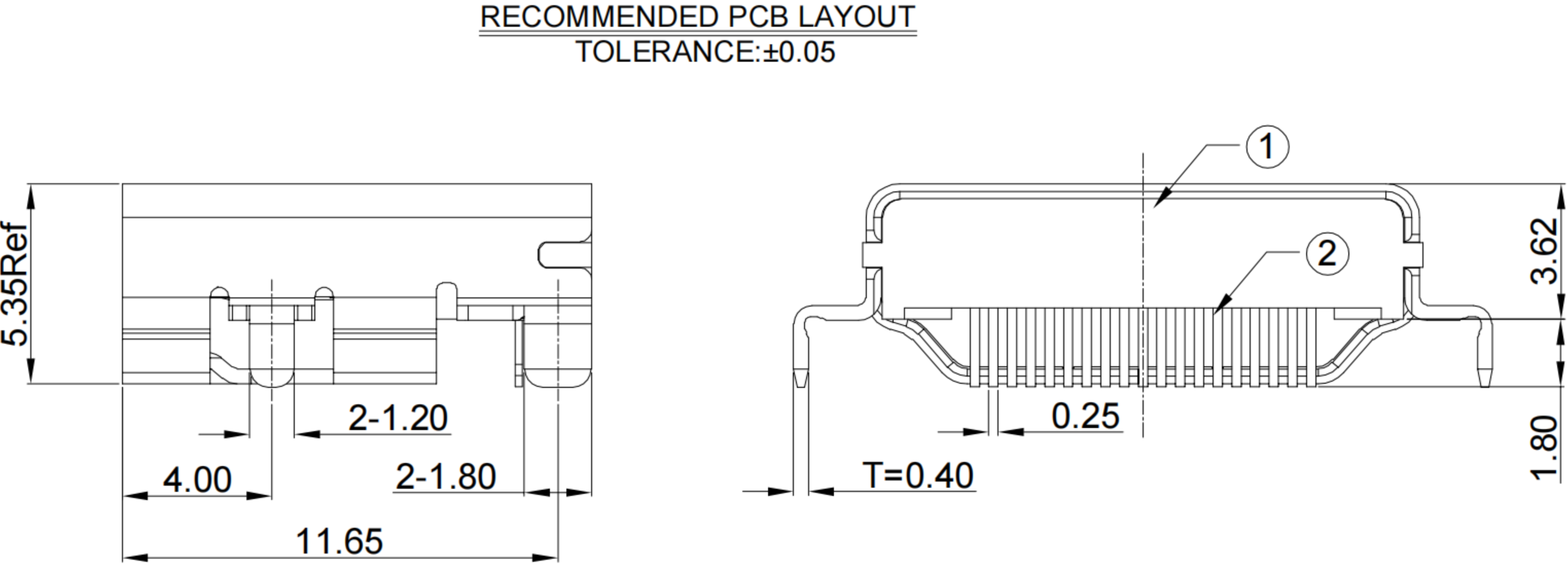
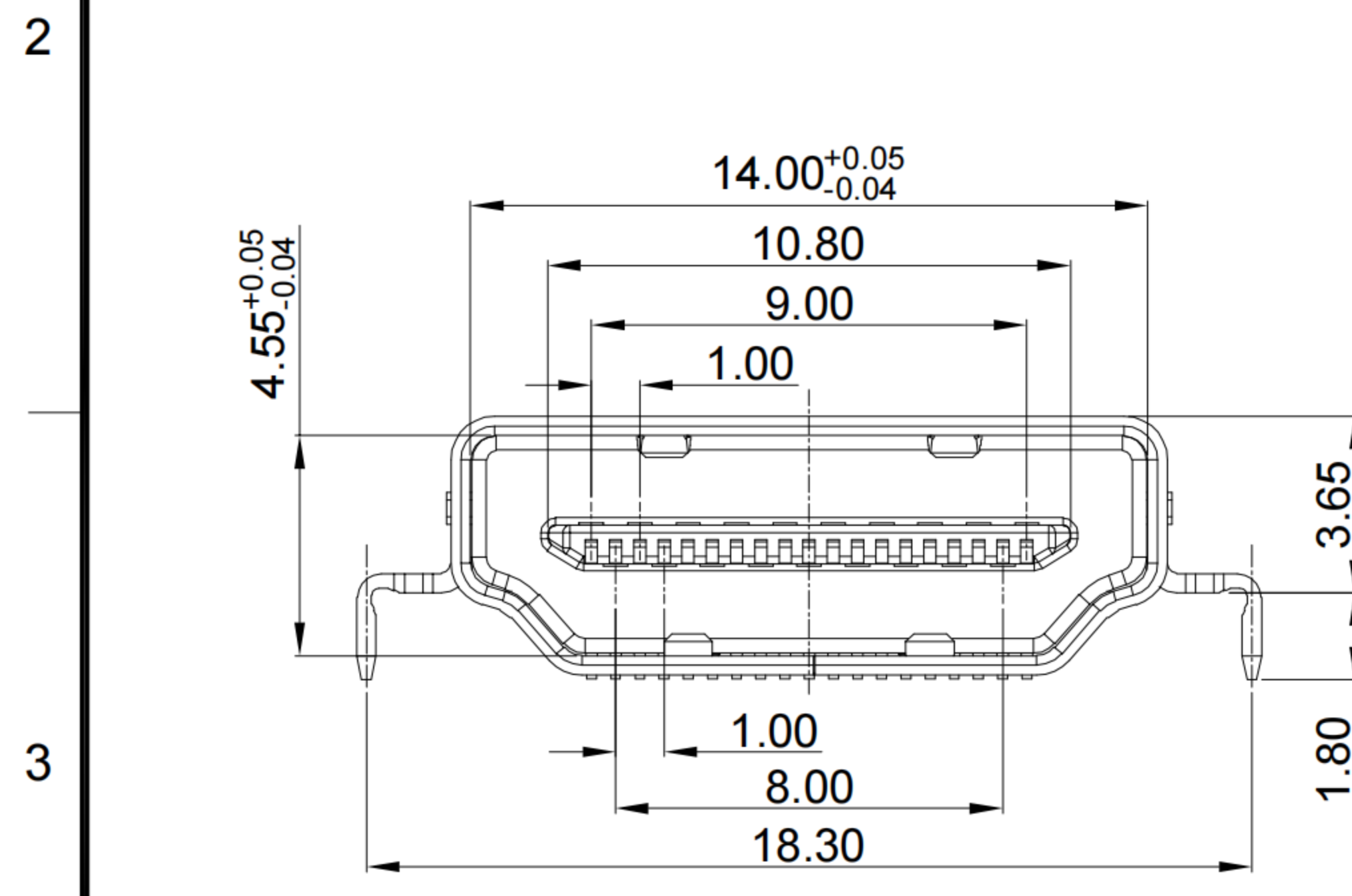


GT-HD003B-X X X GX

- DETAIL**
 A=19pin AF Sink3.45 DIP
 B=19pin AF Sink2.03 DIP
 A=19pin AF Sink2.16 DIP
- Shell Material**
 C=Copper alloy
 F=Ferroalloy
 S=Stainless
- Shell Plating**
 N=Ni
 G=Gold
- Housing Colour**
 B=Blue
 N=Black
- Terminal Plating**
 G0=G/F
 G1=1u
 G3=3u
 G5=5u



- G-Switch HDMI Specification:**
- 1.Current rated: 1.0A Voltage rating: 24V AC
 - 2.Withstanding voltage: 500V AC/minute
 - 3.Contact resistance: 30mΩ Max
 - 4.Insulation resistance: 100MΩ Min
 - 5.Operating temperature: -40°C ~ +85°C
 - 6.Mating force: 44.1N
 - 7.Unmating force: 9.8N~39.2N,After durability: 3N~25N
 - 8.Durability cycle:5,000 cycles

1	SHELL	SUS304	Ni PLATED
2	HOUSING	HIGH TEMPERATURE PLASTIC	BLACK UL 94 V-0
3	TERMINALS	COPPER ALLOY(C2680)	--
NO.	PARTS	MATERIAL	REMARKS



SCALE: 1:1	UNIT: mm	Title: Horizontal HDMI 19P Female Mid-Mout2.03 DIP CH=-0.67 L=12.55mm	
SIZE: A4		Molde Code: GT-HD0003B-XXXGX	
Unless otherwise General Tolerance:		DRAWN	CHECKED
X.	±0.35	APPROVED	DATE
X.x	±0.25	Jiang	2023.02.01
X.xx	±0.15	Xia	Chen
X°	±2°	Chen	2023.02.01



REV: A0 SHEET: 1/1