

GT-HD006B-X X X GX

DETAIL

A=19pin CF Sink0.8 SMT
B=19pin CF Sink1.5 SMT

Shell Material

C=Copper alloy
F=Ferroalloy
S=Stainless

Shell Plating

N=Ni
G=Gold

Housing Colour

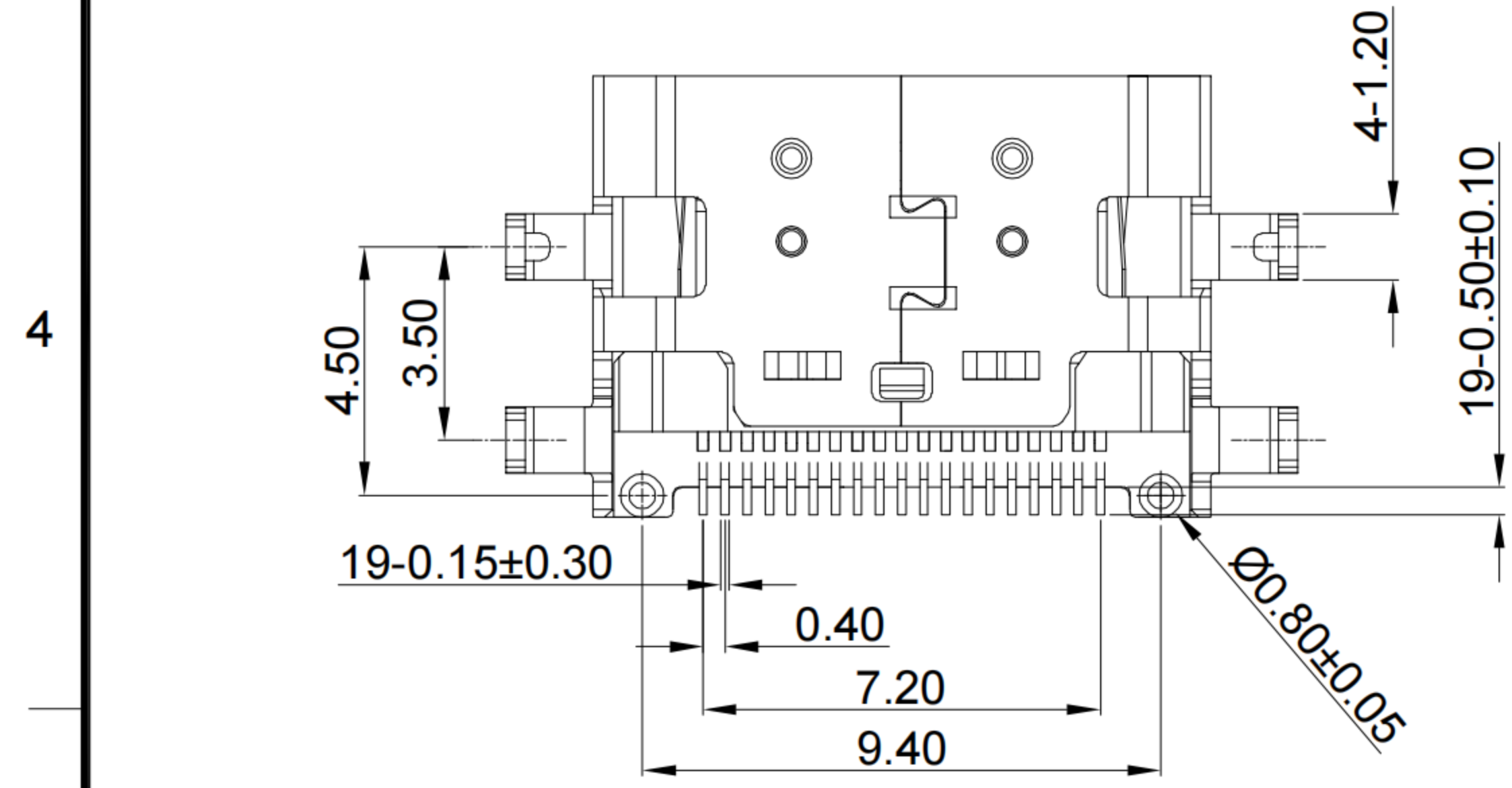
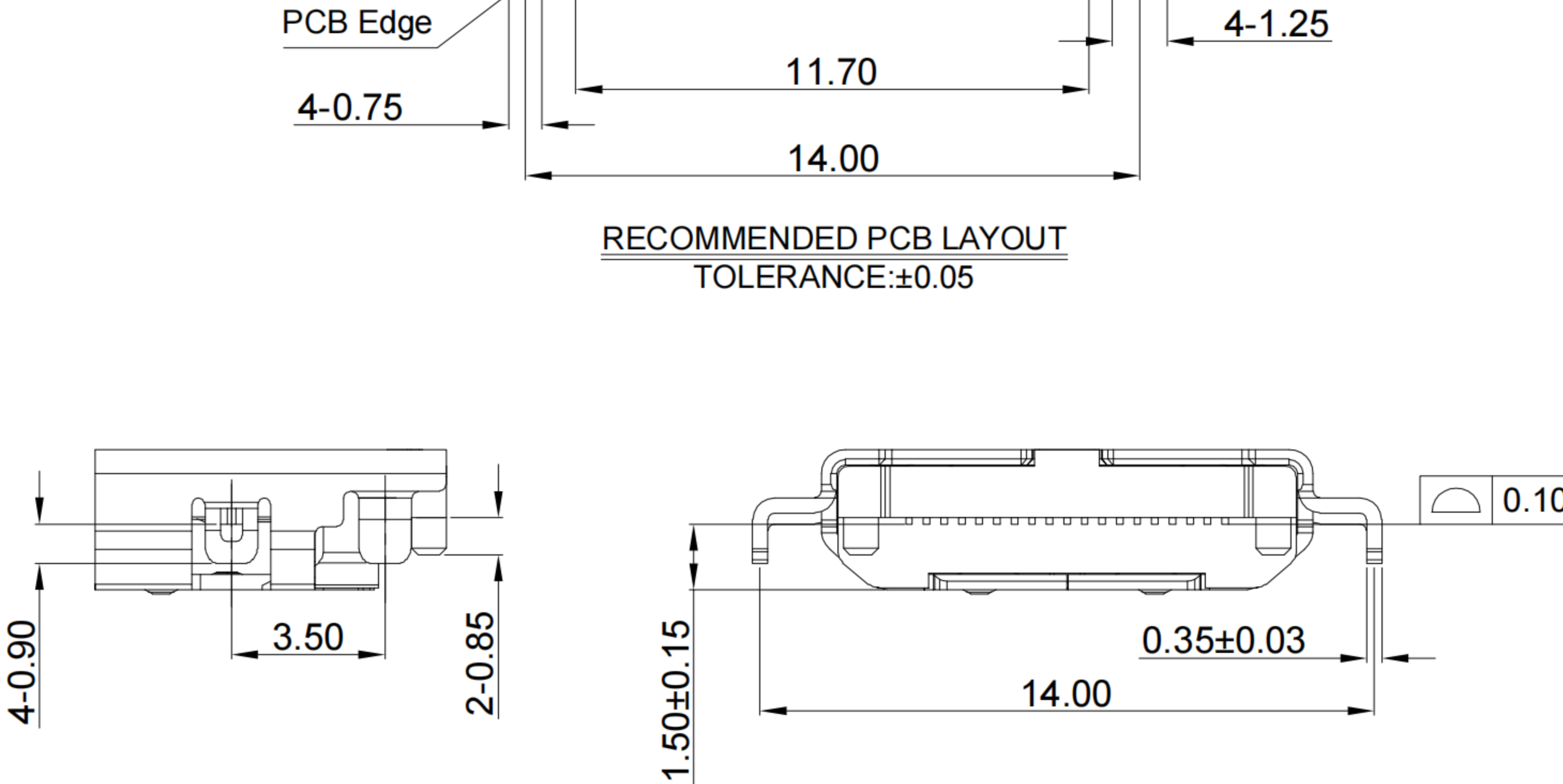
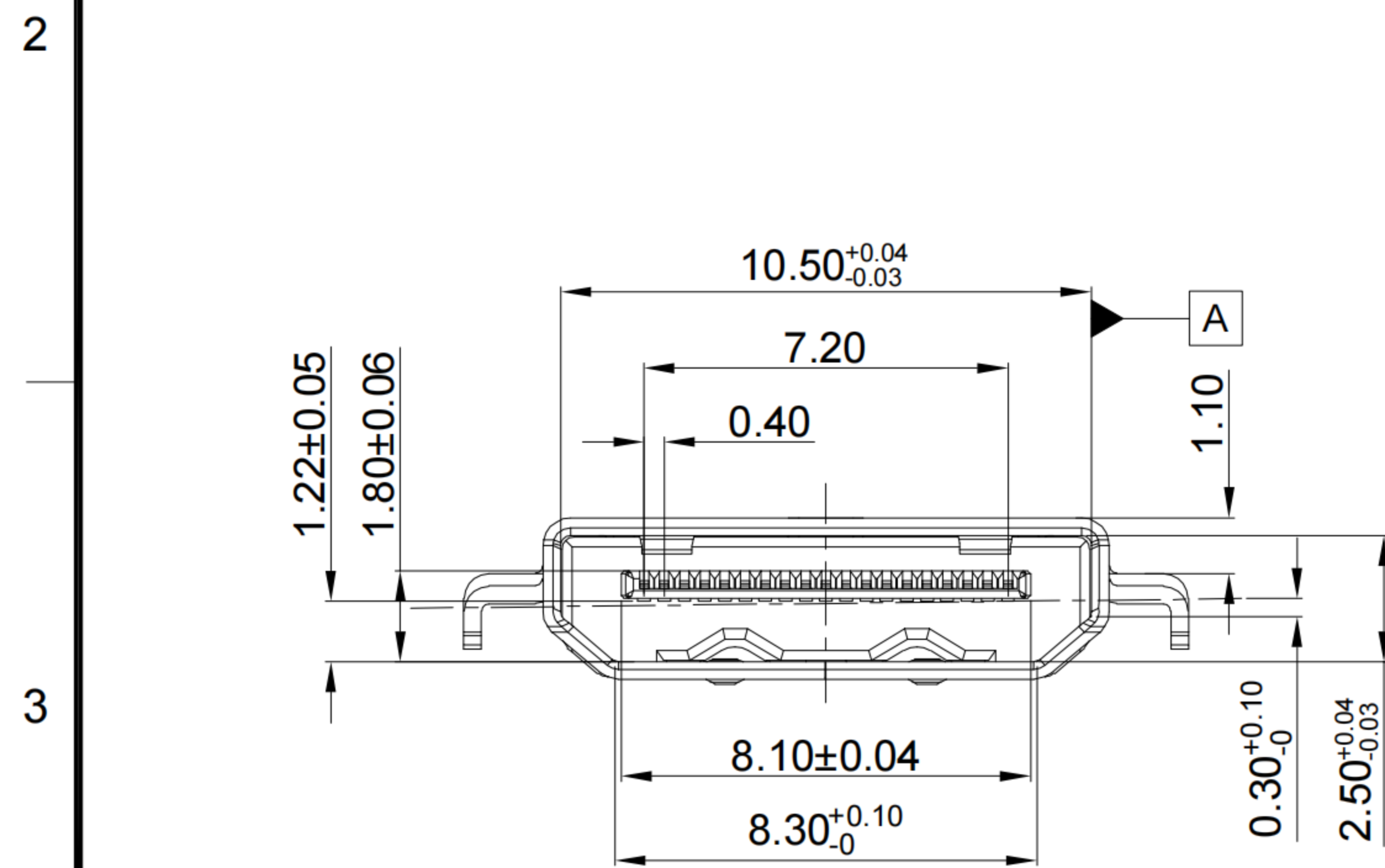
N=Black

Terminal Plating

G0=G/F
G1=1u
G3=3u
G5=5u
G15=15u
G30=30u

G-Switch HDMI Specification:

- 1.Current rated: 1.0A Voltage rating: 24V AC
- 2.Withstanding voltage: 500V AC/minute
- 3.Contact resistance: 30mΩ Max
- 4.Insulation resistance: 100MΩ Min
- 5.Operating temperature: -55°C ~ +105°C
- 6.Mating force: 44.1N
- 7.Unmating force: 9.8N~39.2N,After durability: 3N~25N
- 8.Durability cycle:10, 000 cycles



NO.	PARTS	MATERIAL	REMARKS
1	SHELL	COPPER ALLOY(C2680)	Au PLATING ON CONTACT AREA
2	HOUSING	HIGH TEMPERATURE PLASTIC	LCP BLACK UL 94 V-0
3	TERMINALS	COPPER ALLOY(C2680)	Au PLATING ON CONTACT AREA



SCALE: 1:1	UNIT: mm	Title: Horizontal HDMI 19P Female Mid-Mout 1.50 SMT CH=0.38 L=8.00mm	
SIZE: A4		Molde Code: GT-HD0006B-XXXGX	
Unless otherwise General Tolerance:		DRAWN	CHECKED
X:	±0.35	APPROVED	DATE
X.x	±0.25	Jiang	2023.02.01
X.xx	±0.15	Xia	Chen
X°	±5°	Chen	2023.02.01



REV: A0 SHEET: 1/1