

A

B

C

D

E

1

2

3

4

5

1

2

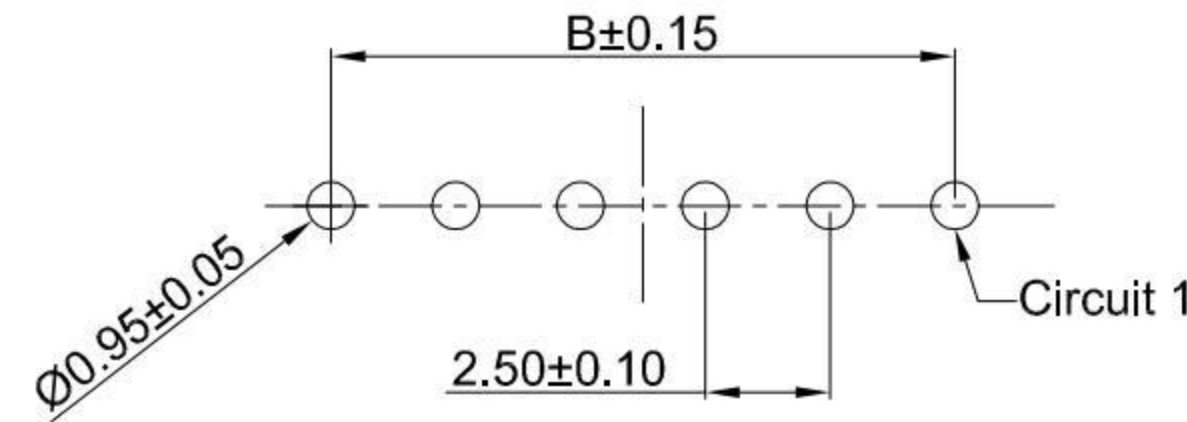
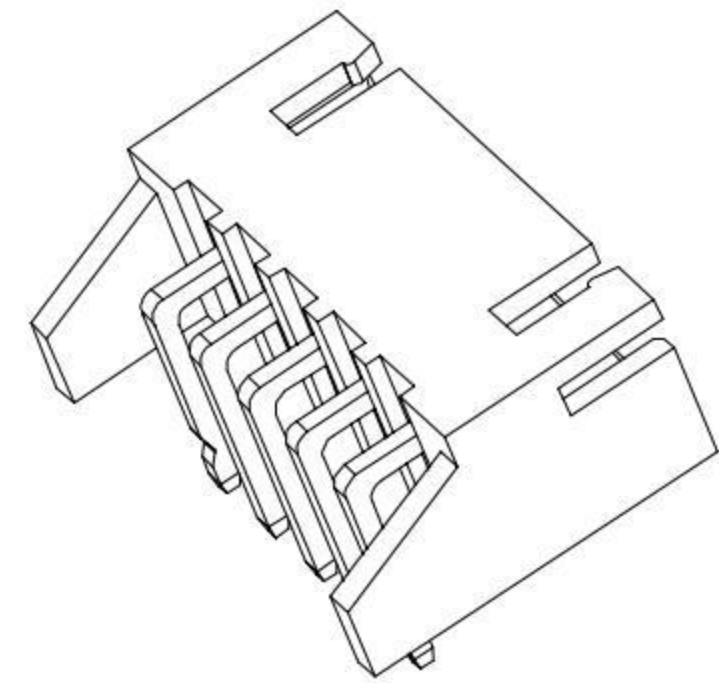
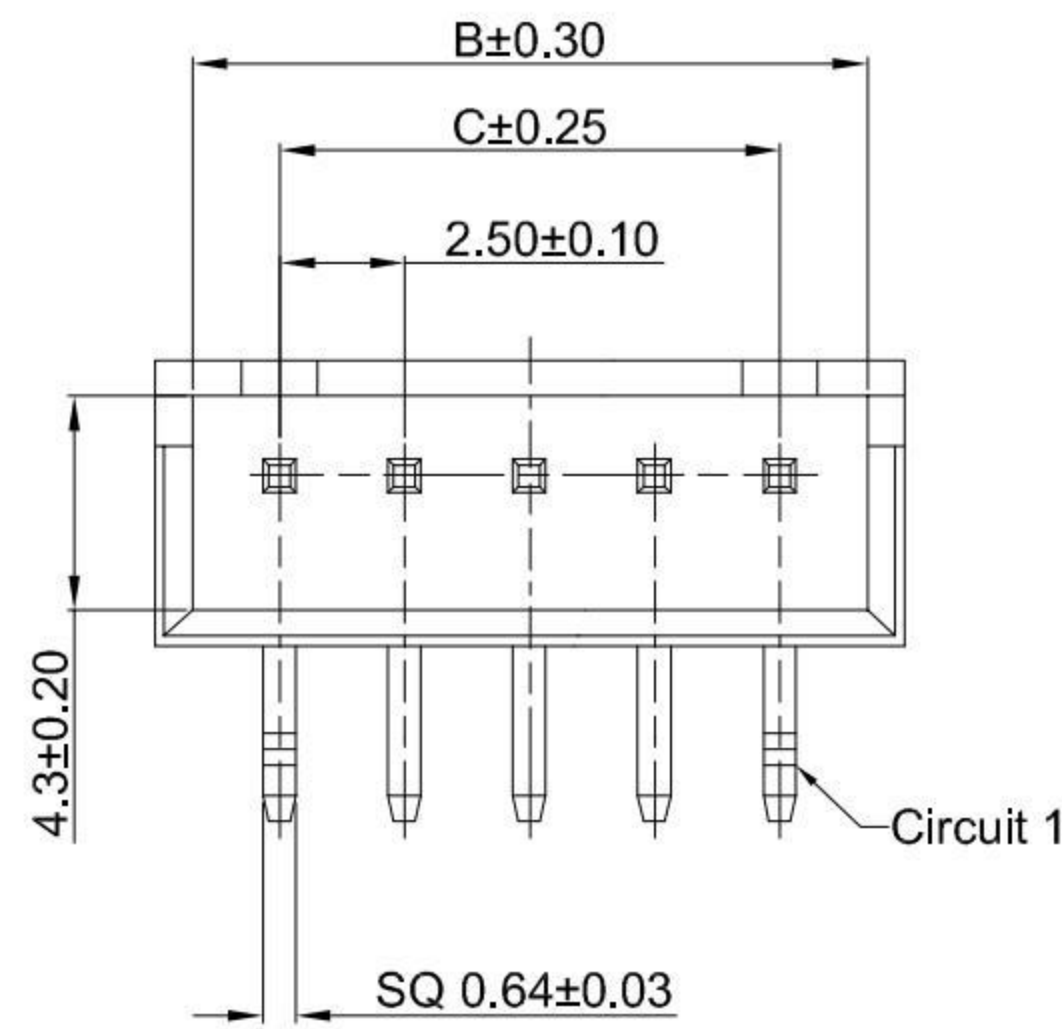
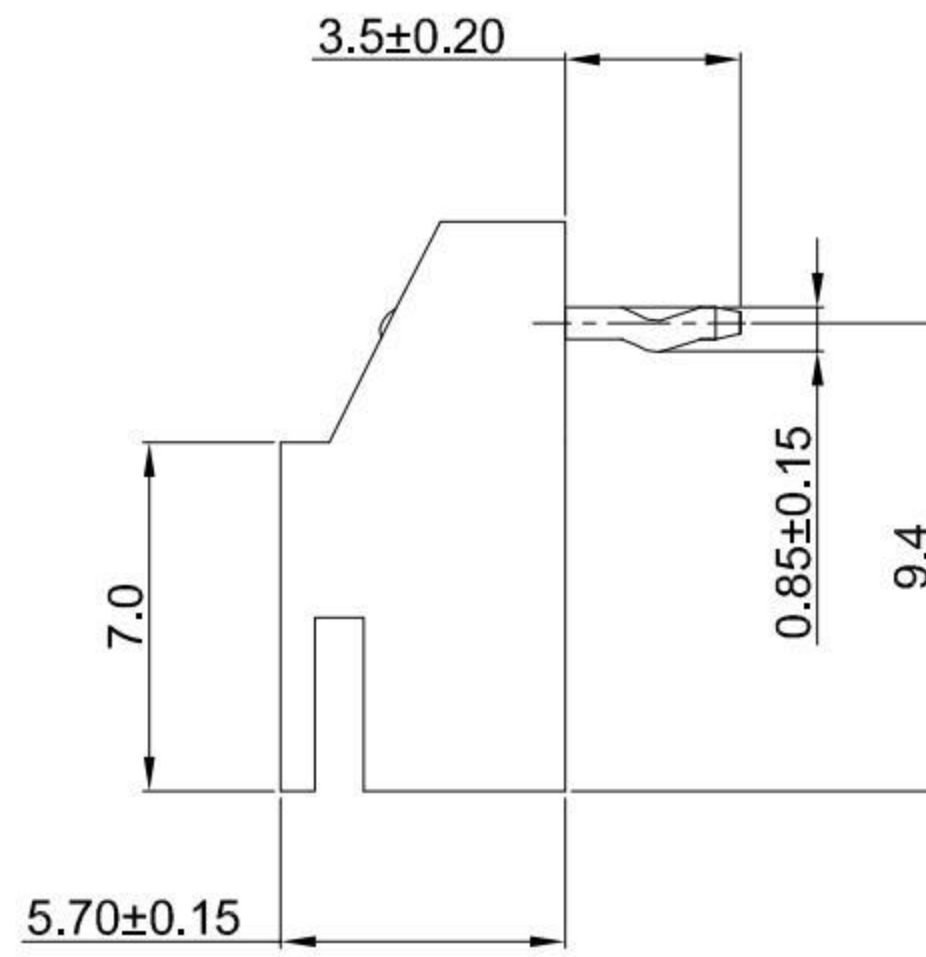
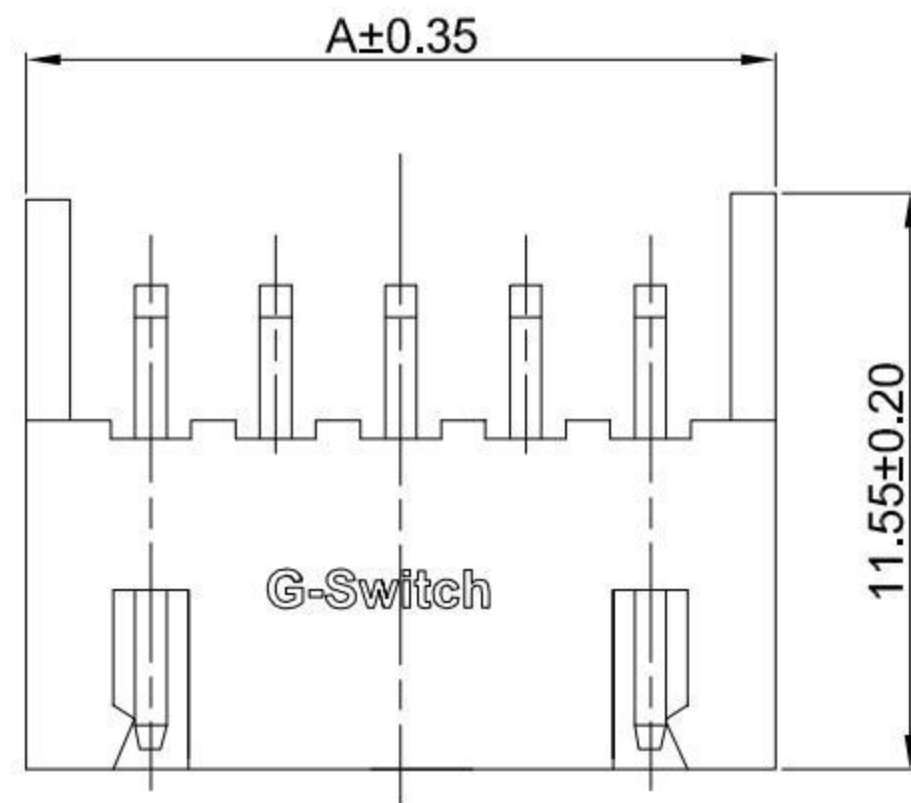
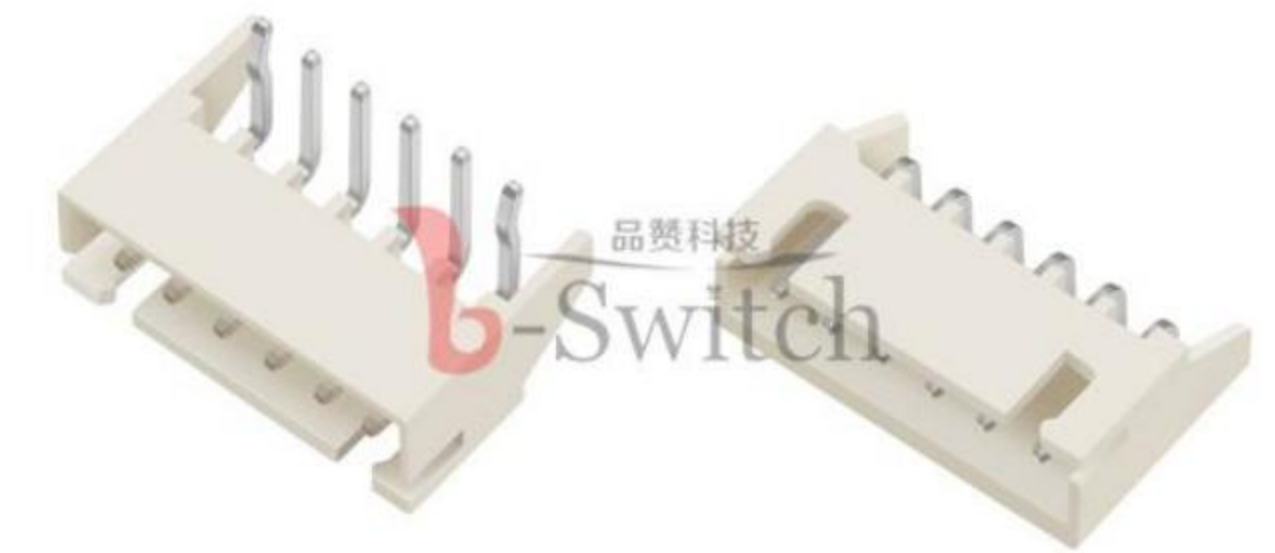
3

4

5

G-Switch Specification:

- 1.Current rated: 3.0A AC/DC
- 2.Voltage rating: 250V AC/DC
- 3.Withstanding voltage: 1000V AC
- 4.Contact resistance: 10mΩ max.
- 5.Insulation resistance: 1000MΩ min
- 6.Durability cycle: 30Cycles
- 7.Removal force: 1.20kgf/Pin min
- 8.Operating temperature range: -25°C ~ +85°C



RECOMMENDED PCB LAYOUT
TOLERANCE:±0.05



GT-A2501 W R D 1 -1 XX X XX 02

G-Switch

Series No

Connector
W-Wafer

Angle
R-90°

Termipoint
D-DIP

Terminal Plating
BT-Bright Tin

Housing Colour
W-White RoHS+HF
S-Beige RoHS

Pin Q' PY
02~16

Row NO
1-Single row

Type
1-Type 1

Ordering Information:

Circuit	Dimensions(mm)			Circuit	Dimensions(mm)		
	A	B	C		A	B	C
02	7.50	6.00	---	10	27.50	26.00	22.50
03	10.00	8.50	5.00	11	30.00	28.50	25.00
04	12.50	11.00	7.50	12	32.50	31.00	27.50
05	15.00	13.50	10.00	13	35.00	33.50	30.00
06	17.50	16.00	12.50	14	37.50	36.00	32.50
07	20.00	18.50	15.00	15	40.00	38.50	35.00
08	22.50	21.00	17.50	16	42.50	41.00	37.50
09	25.00	23.50	20.00	---	---	---	---

SCALE: 1:1 UNIT: mm

SIZE: A4

Title: Wafer 2.50mm Pitch 90° XH DIP
Type Connector

Molde Code: GT-A2501WRD1-1XXXXX02

DRAWN	CHECKED	APPROVED	DATE
Hu	Hu	Chen	2022.12.28



REV: A0 SHEET: 1/1

NO.	PART NAME	MATERIAL	REMARK
2	PIN MATERIAL	BRASS	BRIGHT Tin
1	HOUSING	PA66,94V-0	WHITE/BEIGE

A

B

C

D

E