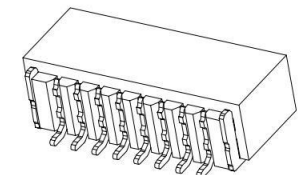
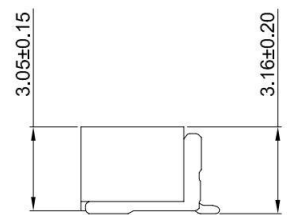
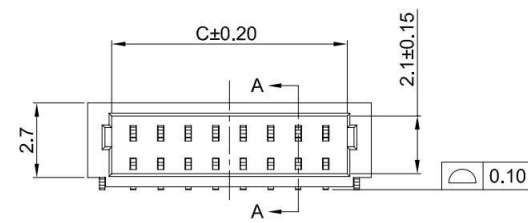
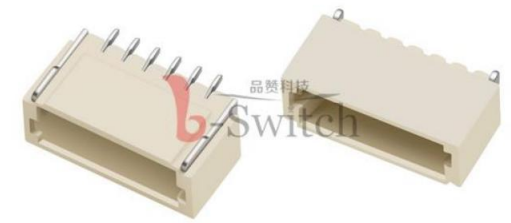


SECTION A-A

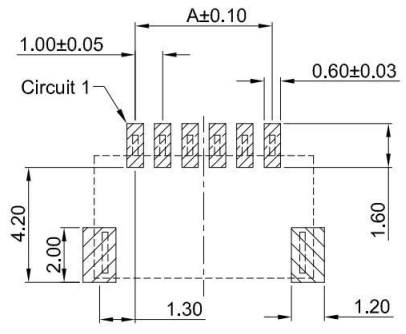
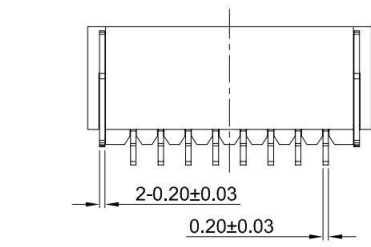
G-Switch Specification:

- 1.Current rated: 1.0A AC/DC
- 2.Voltage rating: 50V AC/DC
- 3.Withstanding voltage: 500V AC
- 4.Contact resistance: 20mΩ max.
- 5.Insulation resistance: 100MΩ min
- 6.Durability cycle: 50Cycles
- 7.Removal force: 0.50kgf/Pin min
- 8.Operating temperature range: -25°C ~ +85°C



GT-A1002 W R S -1 XX X XX 01

- G-Switch**
- Series No**
- Connector**
W-Wafer
- Angle**
R-90°
- Termipoint**
S-SMT
- Terminal Plating**
BT-Bright Tin
11-All G/F
- Housing Colour**
S-Nature
- Pin Q' PY**
02~20
- Row NO**
1-Single row



RECOMMENDED PCB LAYOUT
TOLERANCE:±0.05

Ordering Information:

Circuit	Dimensions(mm)			Circuit	Dimensions(mm)		
	A	B	C		A	B	C
02	---	4.20	2.50	12	11.00	14.20	12.50
03	2.00	5.20	3.50	13	12.00	15.20	13.50
04	3.00	6.20	4.50	14	13.00	16.20	14.50
05	4.00	7.20	5.50	15	14.00	17.20	15.50
06	5.00	8.20	6.50	16	15.00	18.20	16.50
07	6.00	9.20	7.50	17	16.00	19.20	17.50
08	7.00	10.20	8.50	18	17.00	20.20	18.50
09	8.00	11.20	9.50	19	18.00	21.20	19.50
10	9.00	12.20	10.50	20	19.00	22.20	20.50
11	10.00	13.20	11.50	---	---	---	---

NO.	PART NAME	MATERIAL	REMARK
3	SOLDER TABS	BRASS	BRIGHT Tin
2	CONTACT	BRASS	BRIGHT Tin / All G/F
1	HOUSING	LCP,94V-0	NATURE



SCALE: 1:1 UNIT: mm
SIZE: A4

Unless otherwise General Tolerance:
X ±0.40
X.x ±0.30
X.xx ±0.20
X° ±5°
X.x° ±3°

Title: Wafer 1.00mm Pitch 90° SH SMT Type Connector

Molde Code: GT-A1002WRS-1XXXXX01

DRAWN	CHECKED	APPROVED	DATE
Hu	Hu	Chen	2021.10.20



REV: A0 SHEET: 1/1