

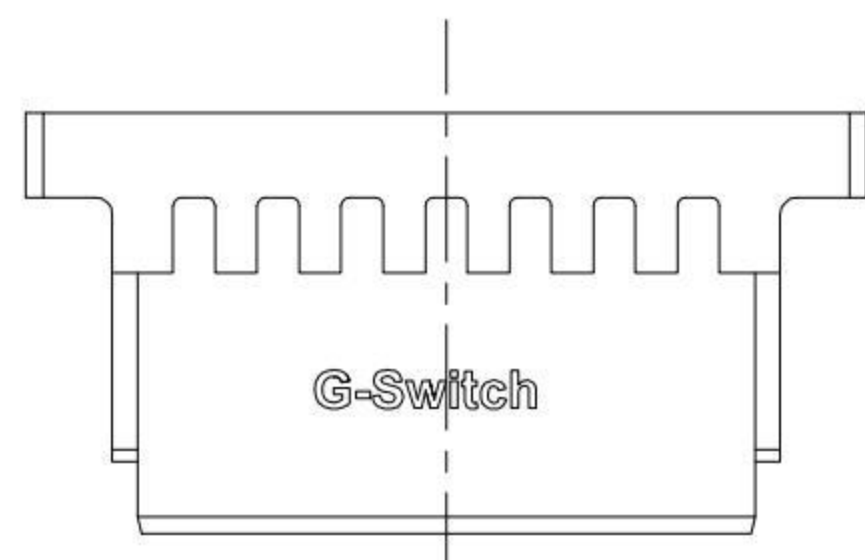
A

B

C

D

E



G-Switch Specification:

- 1.Current rated: 1.0A AC/DC
- 2.Voltage rating: 50V AC/DC
- 3.Withstanding voltage: 500V AC
- 4.Contact resistance: 20mΩ max.
- 5.Insulation resistance: 100MΩ min
- 6.Durability cycle: 50Cycles
- 7.Removal force: 0.50kgf/Pin min
- 8.Operating temperature range: -25°C ~ +85°C

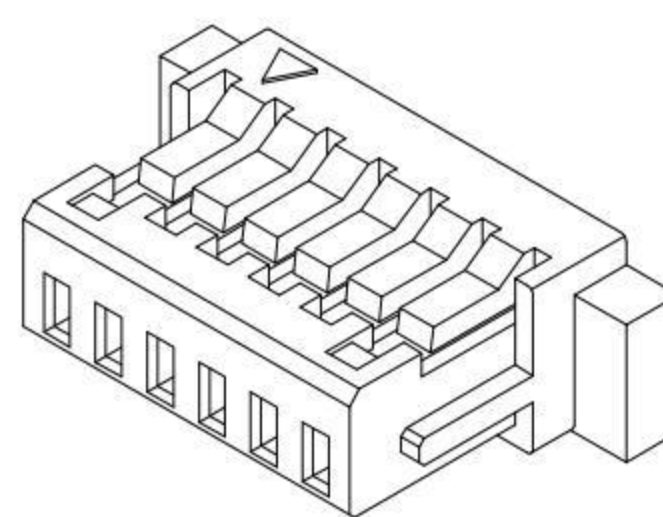
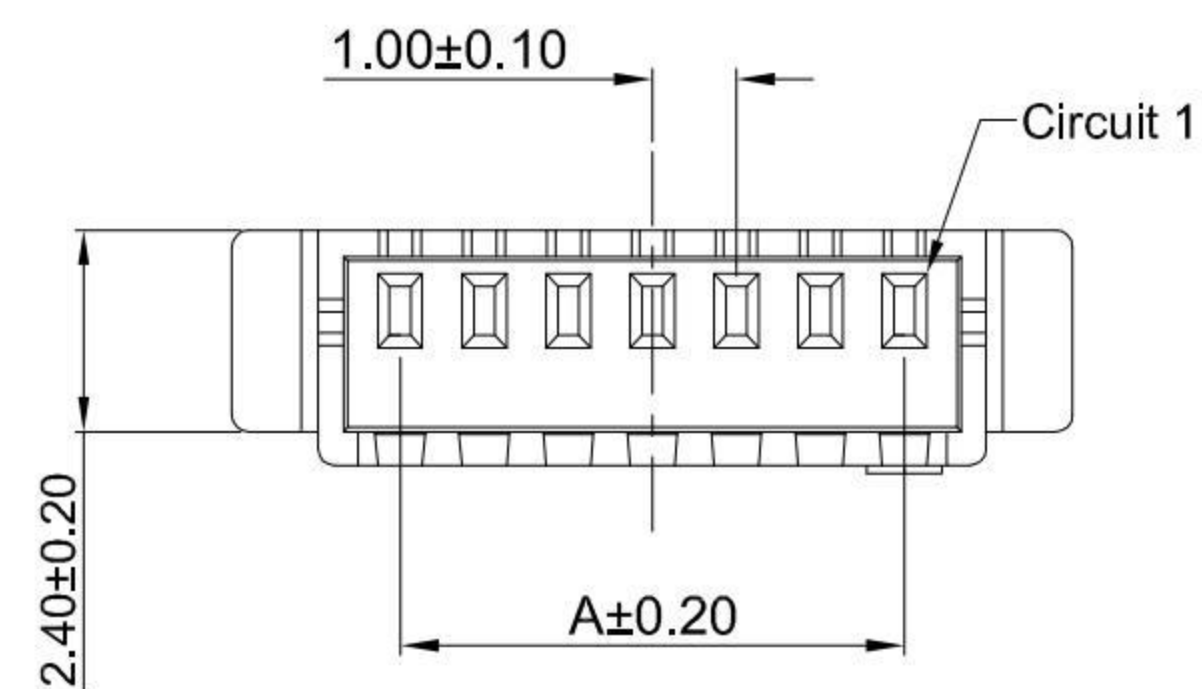


1

1

2

2



GT-A1002 H M -1 XX X 01

G-Switch

Series No

Connector
H-Housing

M-Male

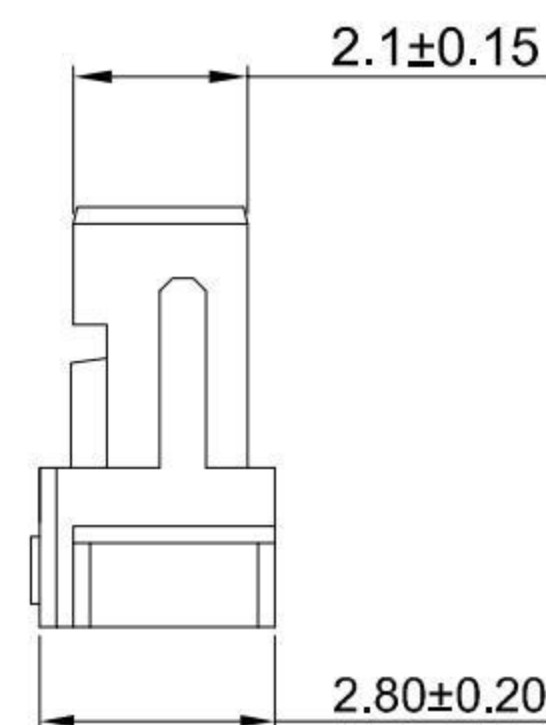
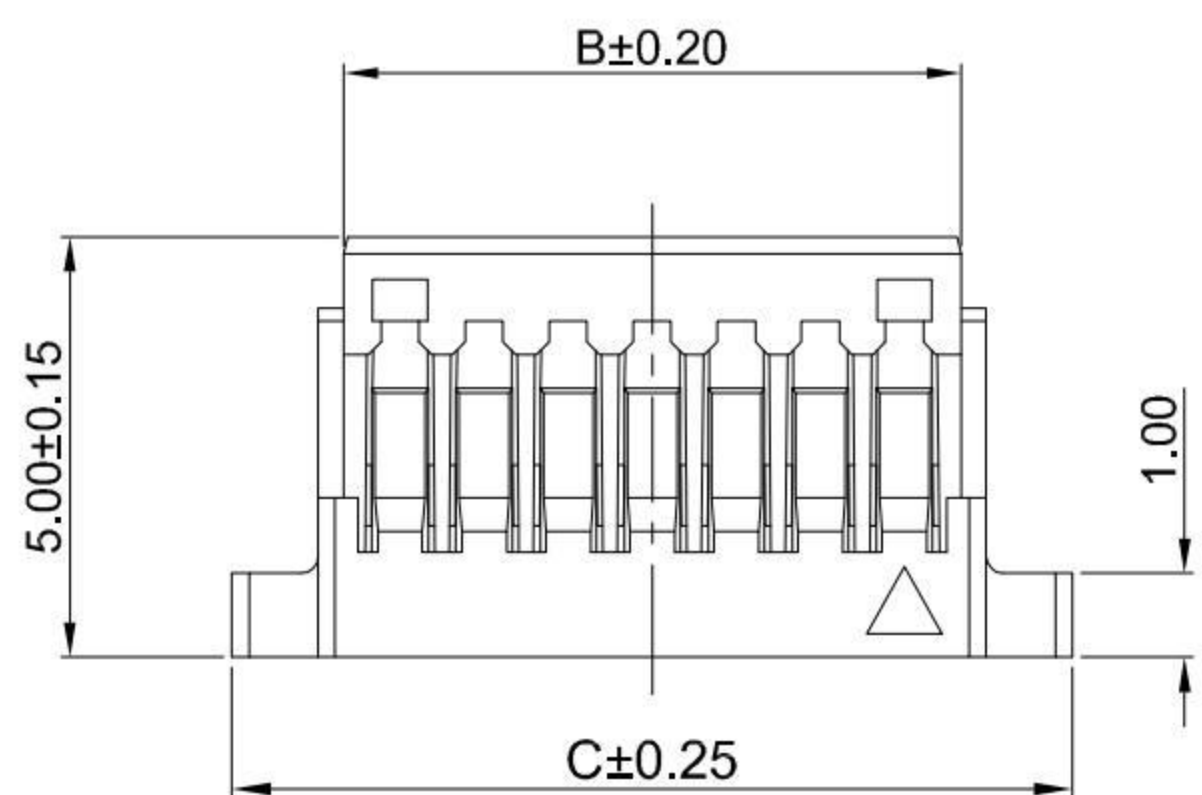
Housing Colour
W-White RoHS+HF

Pin Q' PY
02-20

Row NO
1-Single Row

3

3



Ordering Information:

Circuit	Dimensions(mm)			Circuit	Dimensions(mm)		
	A	B	C		A	B	C
02	---	2.40	5.00	12	11.00	12.40	15.00
03	2.00	3.40	6.00	13	12.00	13.40	16.00
04	3.00	4.40	7.00	14	13.00	14.40	17.00
05	4.00	5.40	8.00	15	14.00	15.40	18.00
06	5.00	6.40	9.00	16	15.00	16.40	19.00
07	6.00	7.40	10.00	17	16.00	17.40	20.00
08	7.00	8.40	11.00	18	17.00	18.40	21.00
09	8.00	9.40	12.00	19	18.00	19.40	22.00
10	9.00	10.40	13.00	20	19.00	20.40	23.00
11	10.00	11.40	14.00	---	---	---	---

4

4

5

5

1	HOUSING	PA66,94V-0	WHITE
NO.	PART NAME	MATERIAL	REMARK



SCALE: 1:1 UNIT: mm
 SIZE: A4

Title: Housing 1.00mm Pitch SH Single Row Male

Molde Code: GT-A1002HM-1XXX01

DRAWN	CHECKED	APPROVED	DATE
Hu	Hu	Chen	2021.10.20



REV: A0 SHEET: 1/1

A

B

C

D

E