

**G-Switch Specification:**

1. Current rated: 1.0A AC/DC
2. Voltage rating: 50V AC/DC
3. Withstanding voltage: 500V AC
4. Contact resistance: 20mΩ max.
5. Insulation resistance: 100MΩ min
6. Durability cycle: 50Cycles
7. Removal force: 0.50kgf/Pin min
8. Operating temperature range: -25°C ~ +85°C



GT-A1002 W R S 1-1 XX X XX 01

**G-Switch**

**Series No**

**Connector**

W-Wafer

**Angle**

R-90°

**Termipoint**

S-SMT

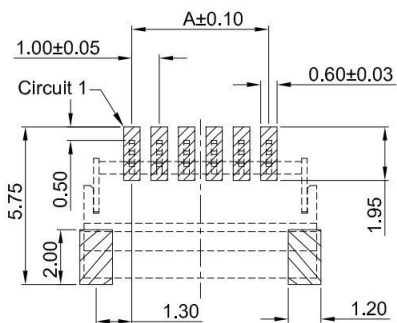
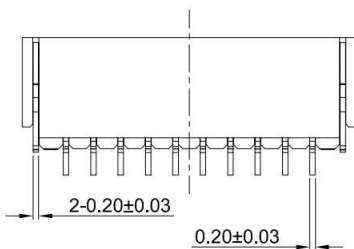
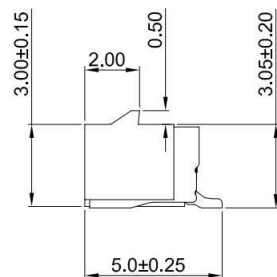
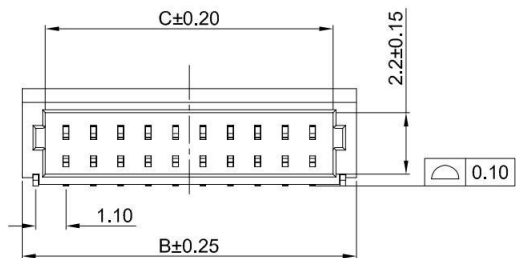
**Terminal Plating**  
BT-Bright Tin  
11-All G/F

**Housing Colour**  
S-Nature

**Pin Q' PY**  
02~20

**Row NO**  
1-Single row

**Type**  
1-Type 1



RECOMMENDED PCB LAYOUT  
TOLERANCE:±0.05

**Ordering Information:**

Circuit	Dimensions(mm)			Circuit	Dimensions(mm)		
	A	B	C		A	B	C
02	---	4.20	2.50	10	9.00	12.20	10.50
03	2.00	5.20	3.50	11	10.00	13.20	11.50
04	3.00	6.20	4.50	12	11.00	14.20	12.50
05	4.00	7.20	5.50	13	12.00	15.20	13.50
06	5.00	8.20	6.50	14	13.00	16.20	14.50
07	6.00	9.20	7.50	15	14.00	17.20	15.50
08	7.00	10.20	8.50	16	15.00	18.20	16.50
09	7.00	10.20	8.50	--	---	---	---

NO.	PART NAME	MATERIAL	REMARK
3	SOLDER TABS	BRASS	BRIGHT Tin
2	CONTACT	BRASS	BRIGHT Tin / All G/F
1	HOUSING	LCP,94V-0	NATURE

SCALE: 1:1 UNIT: mm

SIZE: A4

Unless otherwise  
General Tolerance:  
X ±0.40  
X.x ±0.30  
X.xx ±0.20  
X° ±5°  
X.x° ±3°

Title: Wafer 1.00mm Pitch 90° SH SMT  
With Lock Type Connector

Molde Code: GT-A1002WRS1-1XXXXX01

DRAWN	CHECKED	APPROVED	DATE
Hu	Hu	Chen	2021.10.20



REV: A0 SHEET: 1/1

